



DIRECT
SUPPLY INC

TRANSPORTATION RV & CONVERSIONS



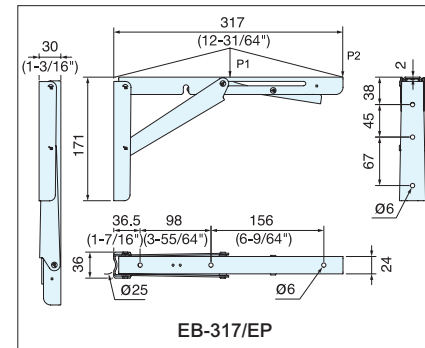
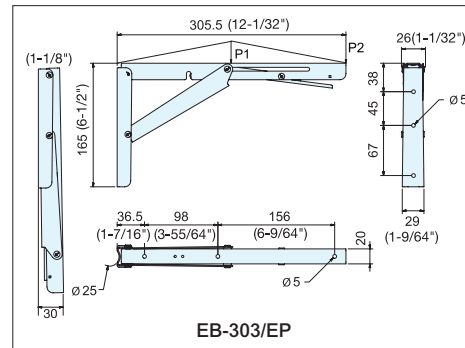
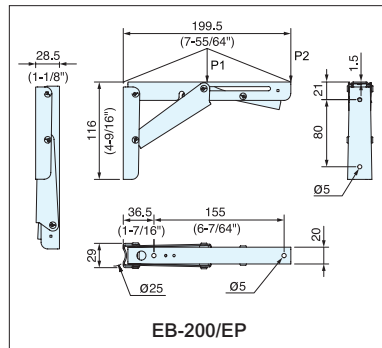
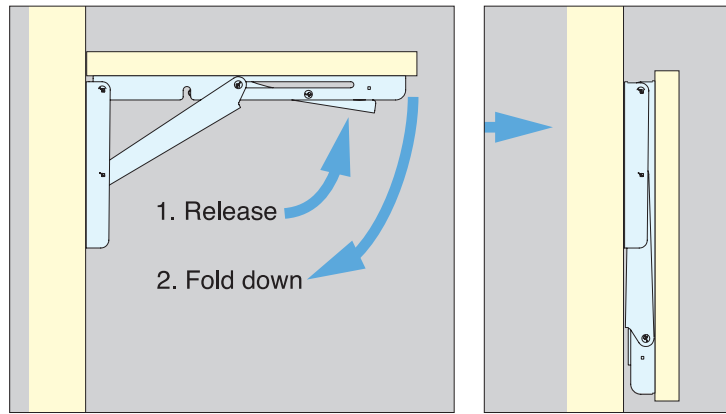
SUGATSUNE

FOLDING BRACKET



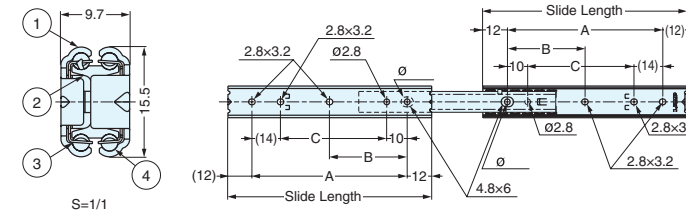
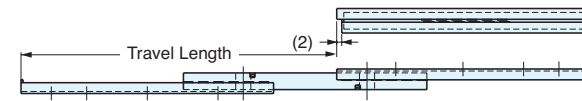
- Automatically locks when flap is in opened position.
- Press lever to release the lock.
- Bracket can be used without the need for hinges.
- Available in 3 different sizes.
- Damper unit EBD available for use with all EB series brackets (sold separately).

| Part Name | Material |
|--------------|---------------------|
| Main Body | 304 Stainless Steel |
| Plate Spring | |
| Rivet | |



| Item No. | Load Capacity P1 (kg) | Load Capacity P2 (kg) | Weight (g) | Carton (pcs) |
|-----------|-----------------------|-----------------------|------------|--------------|
| EB-200/EP | 175 (385 lbs) | 90 (198 lbs) | 330 | 20 |
| EB-303/EP | 150 (330 lbs) | 75 (165 lbs) | 515 | 20 |
| EB-317/EP | 200 (440 lbs) | 100 (220 lbs) | 750 | 20 |

FULL EXTENSION MINI SLIDE

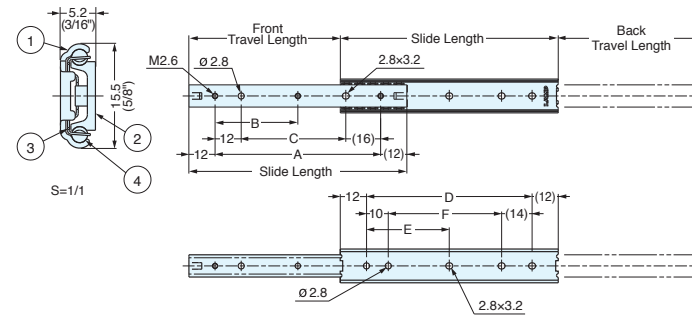


- Full extension.
- High precision design.
- Thin profile for various applications.

| No. | Part Name | Material |
|-----|------------|---------------------|
| ① | Outer Rail | 304 Stainless Steel |
| ② | Inner Rail | |
| ③ | Retainer | Steel |
| ④ | Balls | |

| Item No. | Slide Length | Travel Length | A | B | C | Load Rating (lbs/pair) | Weight (g/piece) | Box (pcs) | Carton |
|--------------|----------------|----------------|-----|----|-----|------------------------|------------------|-----------|--------|
| SCR3-15-80A | 80 (3-1/8") | 97 (3-13/16") | 56 | - | 32 | 22.0 | 36.0 | 50 | 200 |
| SCR3-15-100A | 100 (3-15/16") | 125 (4-15/16") | 76 | 38 | 52 | 24.2 | 45.0 | | |
| SCR3-15-150A | 150 (5-7/8") | 177 (6-15/16") | 126 | 63 | 102 | 26.4 | 70.0 | | |

3/4 EXTENSION MINI SLIDE (2-WAY)



- Two-way travel.
- Thin profile for various applications.

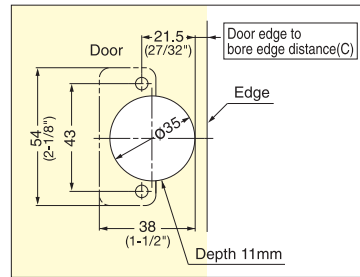
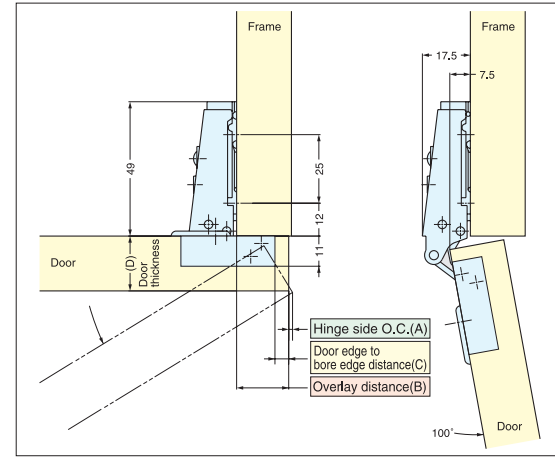
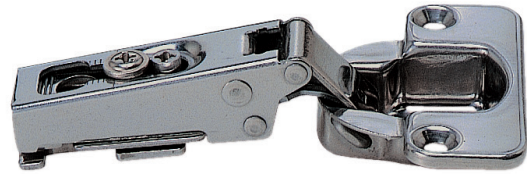
| No. | Part Name | Material |
|-----|------------|---------------------|
| ① | Outer Rail | 304 Stainless Steel |
| ② | Inner Rail | |
| ③ | Retainer | Steel |
| ④ | Balls | |

| Item No. | Slide Length | Front Travel Length | Back Travel Length | A | B | C | D | E | F | Load Rating (lbs) | Weight (g/piece) | Box (pcs) | Carton |
|---------------|----------------|---------------------|--------------------|-----|----|----|-----|----|-----|-------------------|------------------|-----------|--------|
| SCRW2-15-80A | 80 (3-1/8") | 48.5 (1-7/8") | 48.5 (1-7/8") | 56 | - | 28 | 56 | - | 32 | 22.0 | 36 | 200 | 400 |
| SCRW2-15-100A | 100 (3-15/16") | 68.5 (2-11/16") | 68.5 (2-11/16") | 76 | 38 | 48 | 76 | 38 | 52 | 24.2 | 45 | | |
| SCRW2-15-150A | 150 (5-7/8") | 94.5 (3-3/4") | 94.5 (3-3/4") | 126 | 63 | 98 | 126 | 63 | 102 | 26.4 | 70 | 100 | 200 |

CONCEALED HINGE (19mm OVERLAY)



304B-46/19, C46/19



Bore Dimensions

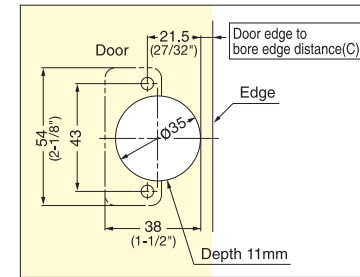
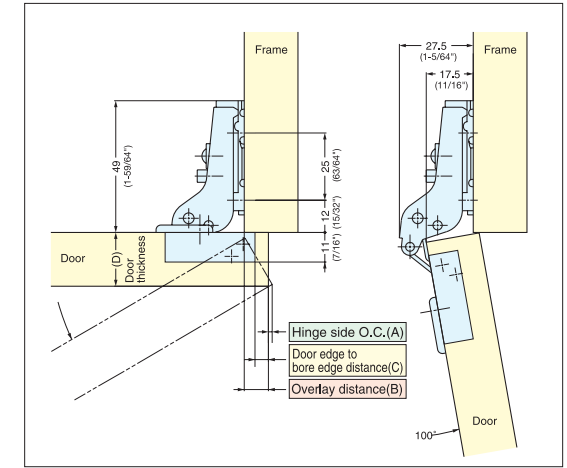
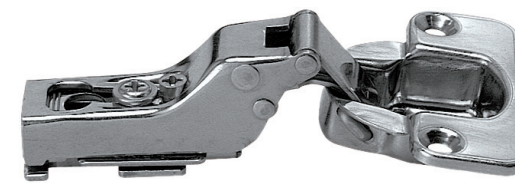
| Item No. | Type | Weight (g) | Carton (pcs) |
|-------------|---------------|------------|--------------|
| 304B-46/19 | Free Swinging | 60 | 200 |
| 304B-C46/19 | Self-Closing | | |

| Material | Finish |
|---------------------|----------|
| 304 Stainless Steel | Polished |

CONCEALED HINGE (9mm OVERLAY)



304B-46/9, C46/19



Bore Dimensions

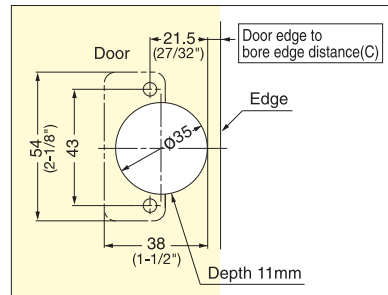
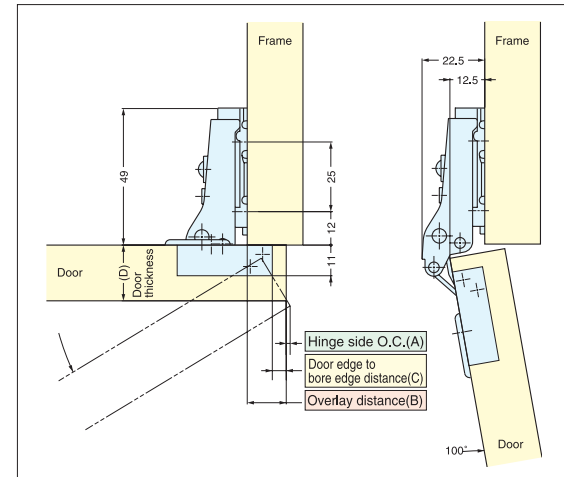
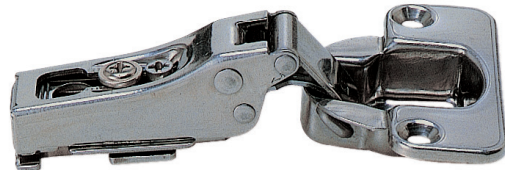
| Item No. | Type | Weight (g) | Carton (pcs) |
|------------|---------------|------------|--------------|
| 304B-46/9 | Free Swinging | 60 | 200 |
| 304B-C46/9 | Self-Closing | | |

| Material | Finish |
|---------------------|----------|
| 304 Stainless Steel | Polished |

CONCEALED HINGE (14mm OVERLAY)



304B-46/14, C46/14



Bore Dimensions

| Item No. | Type | Weight (g) | Carton (pcs) |
|-------------|---------------|------------|--------------|
| 304B-46/14 | Free Swinging | 60 | 200 |
| 304B-C46/14 | Self-Closing | | |

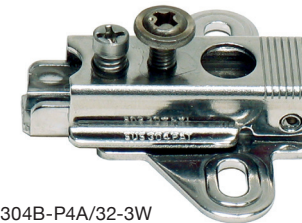
| Material | Finish |
|---------------------|----------|
| 304 Stainless Steel | Polished |

MOUNTING PLATE

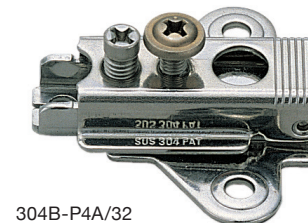


304B-P3A, P4A/32, P4A/32-3W

• Mounting plate for 304B hinges.



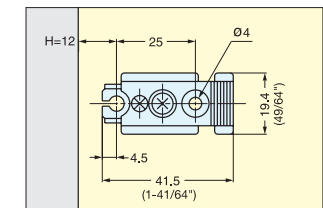
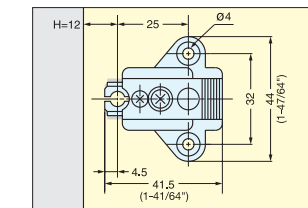
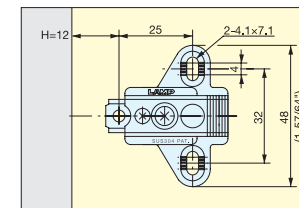
304B-P4A/32-3W



304B-P4A/32



304B-P3A



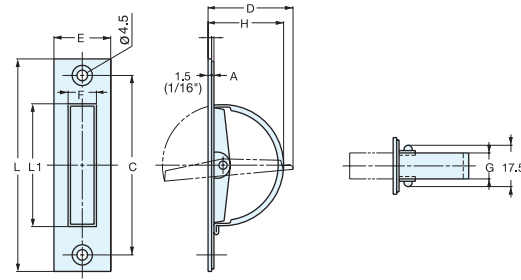
| Item No. | Weight (g) | Carton (pcs) |
|----------------|------------|--------------|
| 304B-P3A | 40 | 400 |
| 304B-P4A/32 | | |
| 304B-P4A/32-3W | | |

| Material | Finish |
|---------------------|----------|
| 304 Stainless Steel | Polished |

HATCH PULL



• The handle is concealed when not in use to stay out of the way.



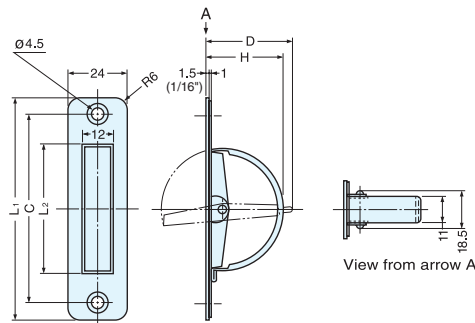
| Item No. | L | L ₁ | C | H | D | A | E | F | G | Material | Finish |
|----------|----------------|----------------|----------------|---------------|---------------|-----|-------------|------|----|---------------------|--------|
| HR-90 | 90 (3-35/64") | 52 (2-3/64") | 76 (2-63/64") | 32 (1-17/64") | 36 (1-27/64") | 1.0 | 24 (15/16") | 12.0 | 11 | 304 Stainless Steel | Satin |
| HR-110 | 110 (4-21/64") | 64 (2-33/64") | 94 (3-45/64") | 38 (1-1/2") | 42 (1-21/32") | | | | | | |
| HR-135 | 135 (5-5/16") | 90 (3-35/64") | 115 (4-17/32") | 50 (1-31/32") | 55 (2-11/64") | 1.2 | 25 (63/64") | 12.2 | 12 | | |

| Item No. | Load Capacity (kg) | Weight (g) | Box (pcs) | Carton (pcs) | Screw |
|----------|--------------------|------------|-----------|--------------|----------|
| HR-90 | 13.0 (28.0 lbs) | 49 | 30 | 300 | 3.5 x 22 |
| HR-110 | 10.0 (22.0 lbs) | 59 | 20 | 200 | 3.5 x 25 |
| HR-135 | 7.5 (16.5 lbs) | 88 | 15 | 150 | |

HATCH PULL



• The handle is concealed when not in use to stay out of the way.



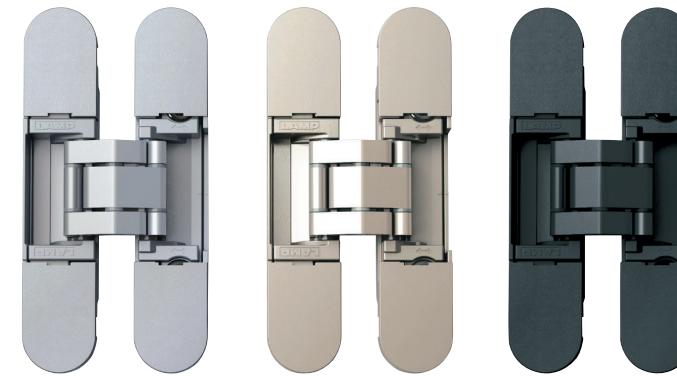
| Material | Finish |
|---------------------|--------|
| 304 Stainless Steel | Satin |

| Item No. | L ₁ | L ₂ | C | H | D | Load Capacity (kg) | Weight (g) | Box (pcs) | Carton (pcs) |
|----------|----------------|----------------|---------------|---------------|---------------|--------------------|------------|-----------|--------------|
| HR-90R | 90 (3-35/64") | 52 (2-3/64") | 76 (2-63/64") | 32 (1-17/64") | 36 (1-27/64") | 13 (28 lbs) | 46 | 30 | 300 |
| HR-110R | 110 (4-21/64") | 64 (2-33/64") | 94 (3-45/64") | 38 (1-1/2") | 42 (1-21/32") | 10 (22 lbs) | 55 | 20 | 200 |

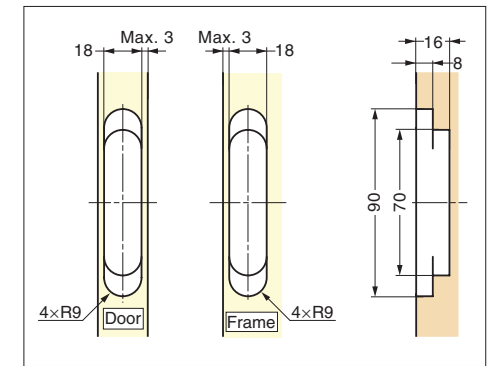
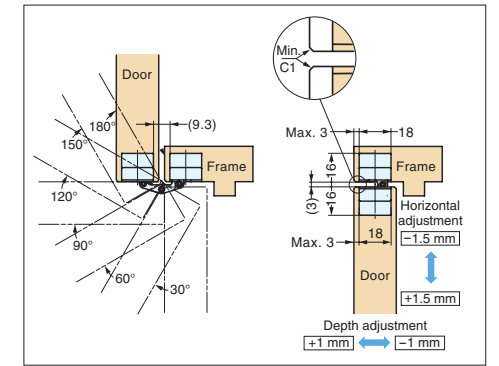
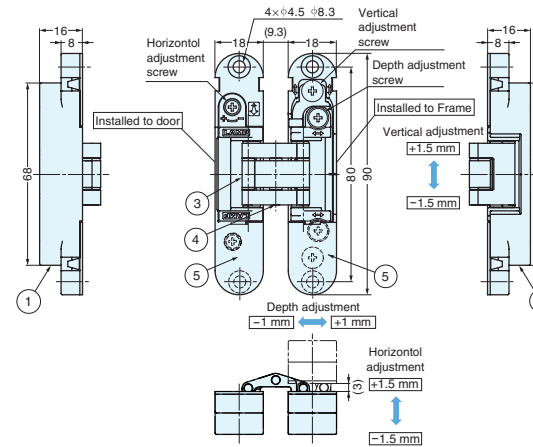
3-WAY ADJUSTABLE CONCEALED HINGE



- 3-WAY adjustment function allows vertical, horizontal, and depth adjustment.
- Covers hide all screw heads for clean appearance.
- Hinge leaves separate for easy installation and adjustment.
- Door weight: Max. 12 kg (26 lbs)/2 pcs, 16 kg (35 lbs)/3 pcs
- Door thickness: Min. 23 mm (15/16")
- Max door size: H 1500 mm x W 600 mm (59-1/16" x 23-5/8")
- Includes steel countersunk wood screws.



HES3D-90DC HES3D-90DN HES3D-90BL



Cut Out Dimensions

| No. | Part Name | Material | Finish/Color | | |
|-----|------------|-----------------|--------------|-------------|-------|
| | | | DC | DN | BL |
| ① | Body | Zinc Alloy | Dull Chrome | Dull Nickel | Black |
| ② | Base Frame | | | | |
| ③ | Arm | Stainless Steel | - | - | - |
| ④ | Shaft | | | | |
| ⑤ | Cover | ABS | Dull Chrome | Dull Nickel | Black |

| Item No. | Finish | Min. Door Thickness | Weight (g) | Box (pcs) | Carton (pcs) |
|------------|-------------|---------------------|------------|-----------|--------------|
| HES3D-90DC | Dull Chrome | 23 (15/16") | 198 | 2 | 48 |
| HES3D-90DN | Dull Nickel | | | | |
| HES3D-90BL | Black | | | | |

LIFT-ASSIST LID STAY with soft close (top opening)



ARN-2

- Smooth door movement. It is specially designed for use with the OLYMPIA concealed hinge (360-D26-19).
- The lift-assist function allows for light opening of doors.
- Board thickness Min:9/16" (15mm) ~ Max:7/8" (22mm)
- The free-stop function enables doors to hold in position (30°~Max.).
- The soft-close function makes doors close gently (0°~30° degrees).
- Integrated design combines a concealed hinge and lid stay.
- Closing speed of doors is adjustable.



| Components for a single door | | |
|------------------------------|----------------------------|-----------|
| | Aileron | 1 |
| | Mounting plate for Aileron | 1 |
| | Olympia Concealed Hinge | 2 |
| | Mounting plate for Olympia | 1 |
| | Screws | 16 |
| Olympia 8 | Aileron 6 | Aileron 2 |

| Lift-assist | Free stop | Soft close |
|-----------------------------------|---|---|
| Allows for light opening of doors | Enables doors to hold in position (30°~Max.). | Built-in damper makes doors close slowly. |
| | | |
| Light opening | Holds in position | Gently closing |

| Item No. | Torque (kg-cm) | Board Thickness (mm) | Weight (g) | Box (pcs) | Carton (pcs) |
|-----------|------------------------------|--------------------------------------|------------|-----------|--------------|
| ARN-2-M-S | 40.8~61.2 (35.4~53.1 lbs-in) | Min:15mm (9/16") Max: 22mm (7/8") | 703 | 1 | 10 |
| ARN-2-H-S | 61.2~81.6 (53.1~70.8 lbs-in) | | | | |

| Material | Finish/Color |
|-------------------|--------------|
| Steel, Zinc Alloy | Nickel |
| Plastic | Grey |

LIFT-ASSIST LID STAY with soft close (upward opening)



ARN-3

- Smooth door movement. It is specially designed for use with the OLYMPIA concealed hinge (360-D26-19).
- The lift-assist function allows for light opening of doors.
- Board thickness Min:9/16" (15mm) ~ Max:7/8" (22mm)
- The free-stop function enables doors to hold in position (30°~Max.).
- The soft-close function makes doors close gently (0°~30° degrees).
- Integrated design combines a concealed hinge and lid stay.
- Closing speed of doors is adjustable.



| Components for a single door | | |
|------------------------------|----------------------------|-----------|
| | Aileron | 1 |
| | Mounting plate for Aileron | 1 |
| | Olympia Concealed Hinge | 2 |
| | Mounting plate for Olympia | 1 |
| | Screws | 16 |
| Olympia 8 | Aileron 6 | Aileron 2 |

| Lift-assist | Free stop | Soft close |
|-----------------------------------|---|---|
| Allows for light opening of doors | Enables doors to hold in position (30°~Max.). | Built-in damper makes doors close slowly. |
| | | |
| Light opening | Holds in position | Gently closing |

| Item No. | Torque (kg-cm) | Board Thickness (mm) | Weight (g) | Box (pcs) | Carton (pcs) |
|-----------|------------------------------|--------------------------------------|------------|-----------|--------------|
| ARN-3-M-S | 40.8~61.2 (35.4~53.1 lbs-in) | Min:15mm (9/16") Max: 22mm (7/8") | 703 | 1 | 10 |
| ARN-3-H-S | 61.2~81.6 (53.1~70.8 lbs-in) | | | | |

| Material | Finish/Color |
|-------------------|--------------|
| Steel, Zinc Alloy | Nickel |
| Plastic | Grey |

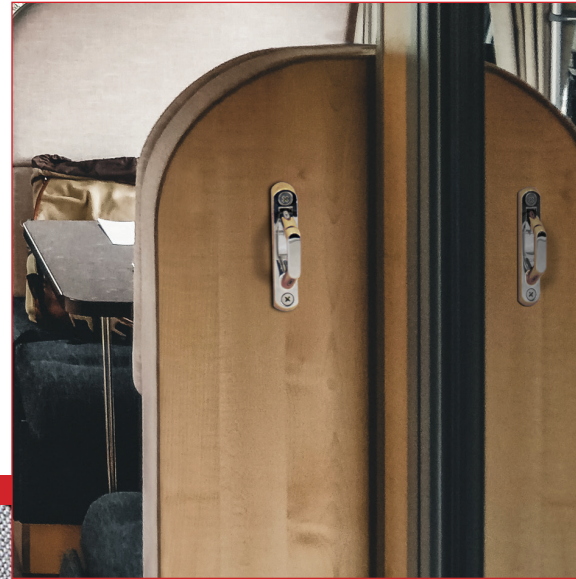
HOOKS



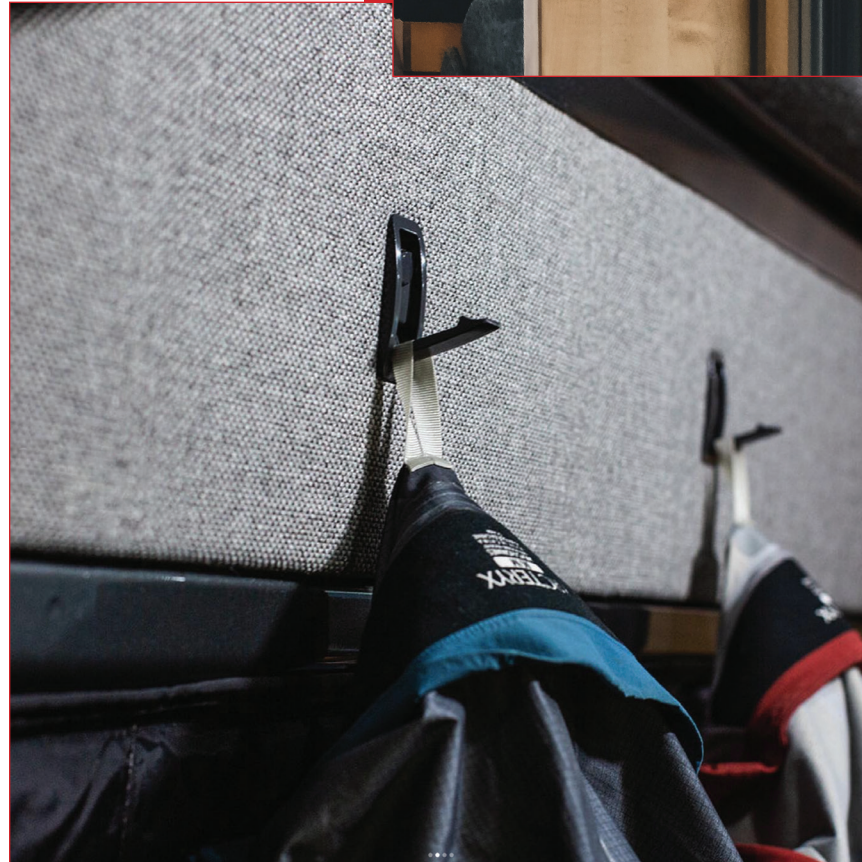
Latch Hooks
EN-R80, EN-K



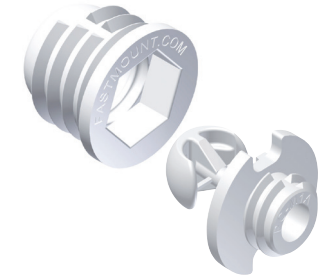
Recessed Hooks
NF-60D



Recessed Hooks
NF-47



Recessed Hooks
NF-45D (Soft Close)



Fastmount®
Standard Profile



Fastmount®
Textile Clips



Fastmount®
Metal Range Clips



Sugatsune America
18101 Savarona Way,
Carson, CA 90746



sugatsune.com

1.888.557.5267