

# POCKET DOOR KITS



## NO MORE HEADACHES, THE BEST SOLUTION FOR POCKET DOORS

Sugatsune has created a solution for stuck pocket doors. This two-track system means all components are **easily accessible** from the opening. Never break another wall when making adjustments to your pocket door. Available in recessed and surface mount retail box kits.



- Easy installation and maintenance
- Built in soft-close and soft-open damper.
- Two-rail system, allows all components to be accessed through the opening.
- Use with removable jam/trim/casing.
- For interior use only.
- Rollers are recess or surface mounted to top of door.
- High durability, passed 200,000 cycle test (private)

Door Weight	Max. 176 lbs (80 kg)
Door Thickness (Min.)	Recessed: 1-5/16" (34 mm), Surface: 1-3/16" (30 mm)
Door Width	30-7/8"~42" (784-1067 mm) If door height is less than [98-7/16" (2500 mm)] 33-7/16"~42" (850-1067 mm) If door height is between [98-7/16"~106-5/16" (2501-2700 mm)]
Door Height	Max. 106-5/16" (2700 mm)



Box Size  
86" x 6" x 5"

### COMPLETE SETS INCLUDE:

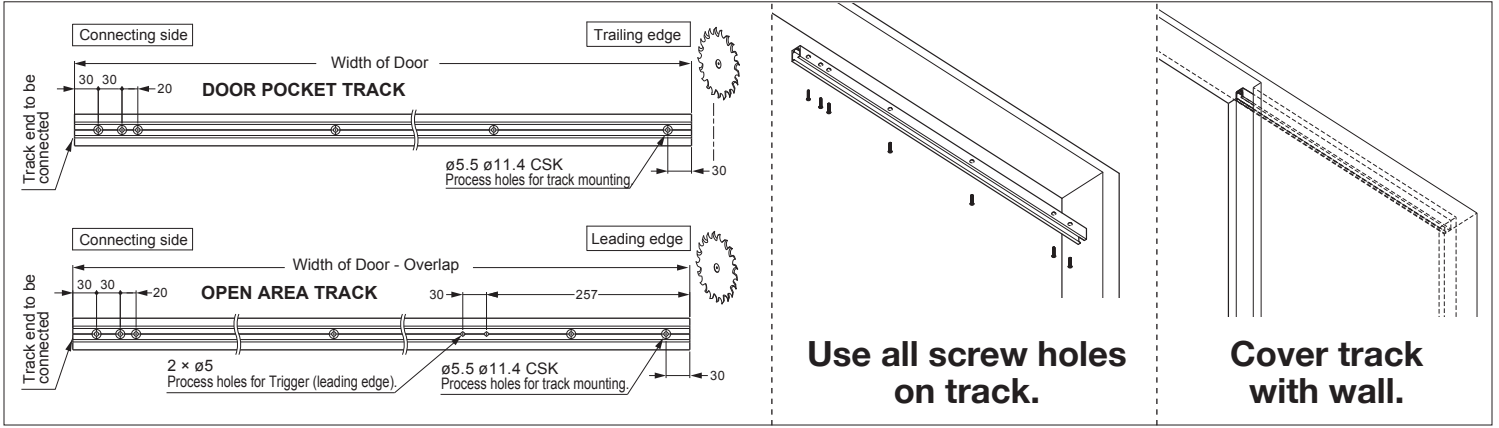
- Aluminum Track 85" (2160mm) #FD80-TRP2160-SL
- Parts Kit (Surface #FD80DHCMP-PD/Recessed #FD80DHCHP-PD)
  - Two-Way Soft Close Roller system & Front Roller
  - Pocket & Front Trigger
  - Floor Guide
  - Bottom Guide Door Rail 59" (1500mm)
  - Hanging Brackets and end caps (recessed mount only)



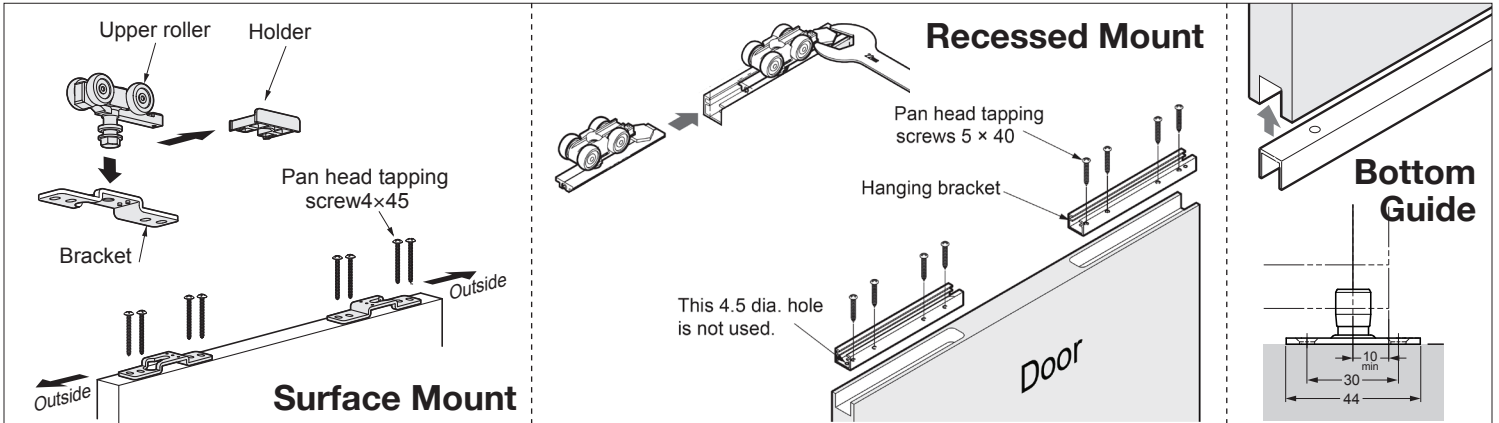
America Headquarters  
18101 Savarona Way  
Carson, CA 90746  
www.sugatsune.com



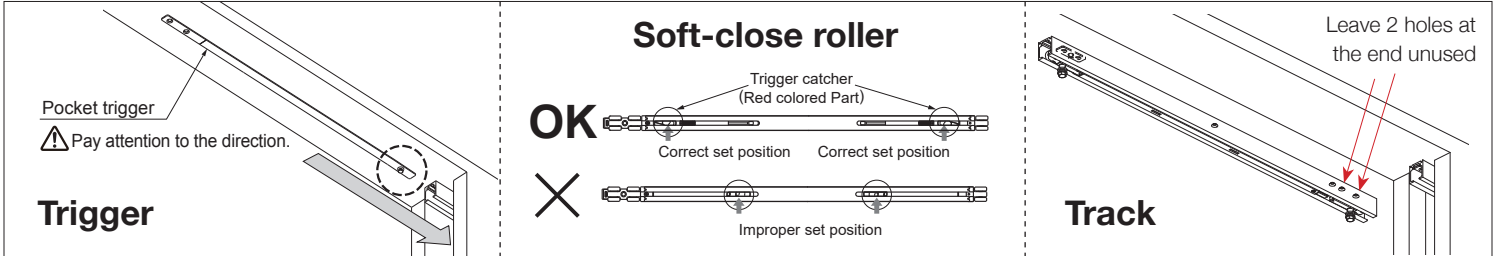
## STEP 1 - Cut tracks and Install pocket and opening tracks



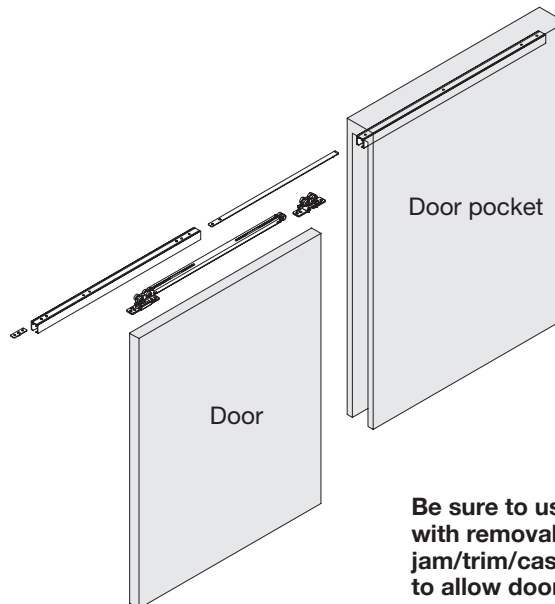
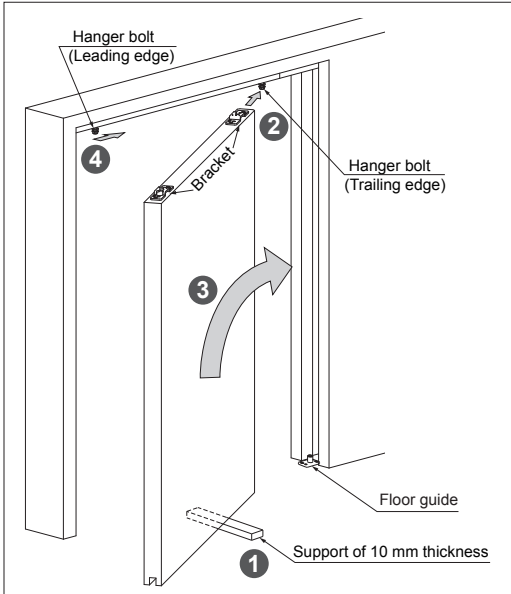
## STEP 2 - Install hardware on door



## STEP 3 - Install trigger and open area hardware



## Last Step - Attach door to rollers and slide in pocket. Adjustments if needed



Be sure to use with removable jam/trim/casing to allow door to be removed.

**SUGATSUNE**