

BUILT TO BRAVE THE ELEMENTS.

SUGATSUNE

The stainless steel design of the HGS3D-S160SH will stand up to moisture, humidity, rain and other environmental factors.



ALL STAINLESS STEEL

HGS3D-S160SH

3 WAY ADJUSTABLE CONCEALED HINGE

- 304 Stainless Steel ensures excellent corrosion and weather resistance
- 3-way adjustability function.
- Easy installation with LIFT-OFF FEATURE: hinge can be split into two parts.
- Optional square shaped covers are available.

Create Sleek Flush Entry
Doors That **Will Not Rust!**

AVAILABLE NOW



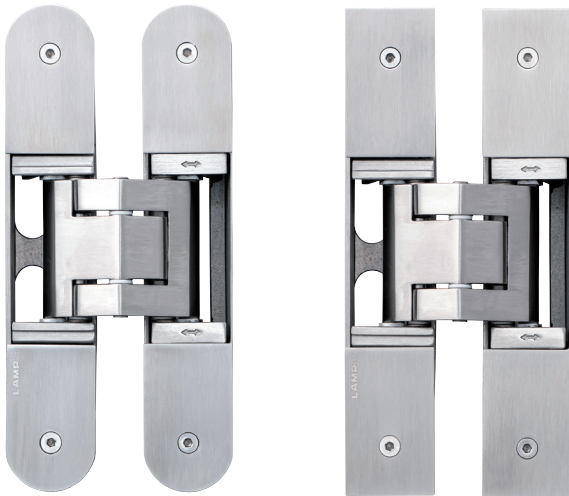
DIRECT
SUPPLY INC
SURFACE MATERIALS \ CABINETRY \ HARDWARE

DIRECTSUPPLYINC.COM

3-WAY ADJUSTABLE STAINLESS STEEL CONCEALED HINGE

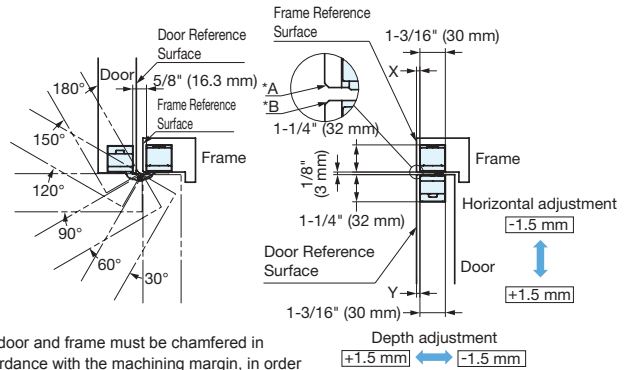


HGS3D-S160SH



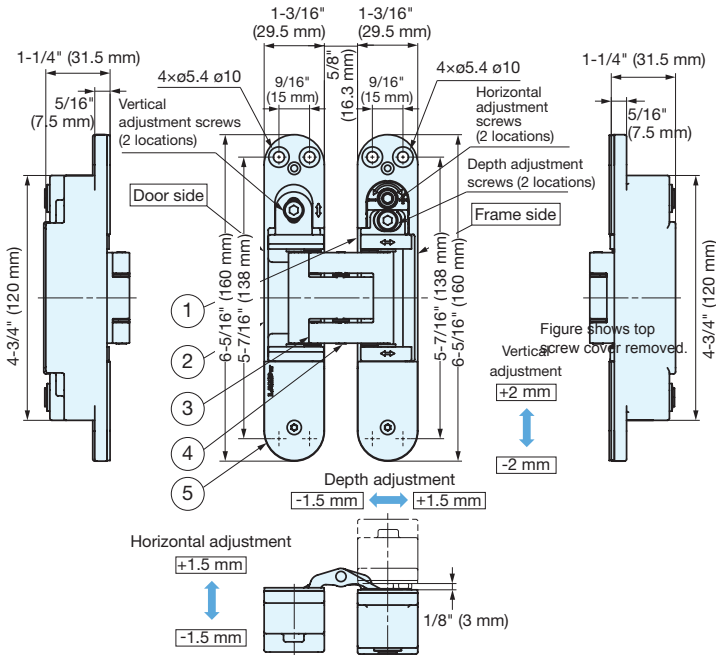
With square screw cover (optional)

- 304 stainless steel construction for excellent resistance to corrosion.
- 3-way adjustable allowing for vertical, horizontal and depth adjustments after installation.
- Hinge leaves are designed to separate and features a temporary hold function making it easier to hang doors.
- Durable: successfully passed 300,000 open/close cycle test (private).
- Includes round screw covers for a clean finish. Optional square shaped covers sold separately (HGS3D-S160SH-SQPLATE).
- 3 hinges can support doors up to 36" x 96" weighing up to 220 lbs.



*The door and frame must be chamfered in accordance with the machining margin, in order to open and close the door.

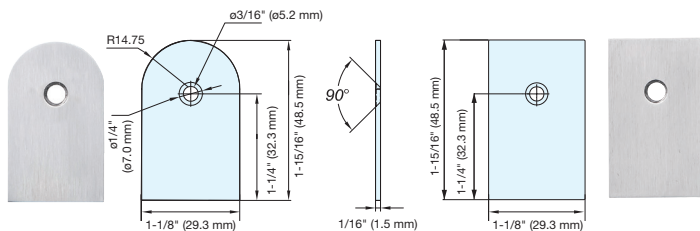
Y: Door Machining Margin	B: Door Chamfering	X: Frame Machining Margin	A: Frame Chamfering
4 or below	1	5 or below	1
	2	6	2
5	3	7	3
		5 or below	3
			6



No.	Part Name	Material	Finish
①	Body	304 Stainless Steel	Plain
②	Base Frame		
③	Arm		
④	Rotating Shaft		
⑤	Screw Covers		Satin

Round Screw Cover
HGS3D-S160RD-SQPLATE

Optional Square Screw Cover
HGS3D-S160SH-SQPLATE



Body

Item No.	Finish	Door Specs			Load Capacity		Opening Angle
		Width	Height	Thickness	2 pcs	kgf/3 pcs	
HGS3D-S160SH	Satin	Max. 36" (915 mm)	Max. 96" (2438 mm)	Min. 1-7/16" (36 mm)	176 lbs (80 kg)	220 lbs (100 kg)	180°

