



DOOR  
SYSTEMS

DIVISION 8

Architectural Hardware Selection



in AMERICA

It is often said that 40 is the new 30, but here at Sugatsune America, 40 years of quality service in the United States feels just right! By now, you know that we take convenience and satisfaction seriously and we look forward to continuing to serve this industry for many years to come.

As the first overseas subsidiary of Sugatsune Kogyo Company, Ltd, based in Japan for more than 90 years, we have continued to expand our line-up of architectural, industrial and specialty hardware.

Our product lines include Sugatsune's proprietary soft motion Lapcon hardware, which you'll see throughout this brochure, complemented by our hinges, handles, catches, latches and other unique accessories.

As we look back at two very challenging years, not only for our industry but for our communities everywhere, we are grateful to our customers not only for their loyalty, but also for challenging us to develop new functional and decorative hardware to meet their application needs. Our commitment to innovation is matched by our commitment to providing unique, high quality products and customer service.

# Sugatsune Premium Door Hardware Selection.

	SLIDING DOOR SYSTEMS	3-26
	LATERAL OPENING SYSTEMS	27-28
	HINGES	29-38
	HANDLES & KNOBS	39-52
	CATCHES & LATCHES	53-58
	DOOR ACCESSORIES	59-62



## What to look for!

### THE NEW MFU1200 FLUSH SLIDING DOOR SYSTEM

A hit at this year's Kitchen & Bath Show (KBIS 2022) This system combines the latest in soft-close technology and smooth movement achieving a truly flush entrance. **Read more pg. 4.**

### OUR NEW CONCEALED HINGE FOR CLADDED DOORS, THE HES3D-W190

This 3-way adjustable concealed hinge allows for 10 mm of cladding in addition to being UL® Listed with 3 hour fire rating. **Read more pg. 32.**

### OUR NEW ML-ZN80 PUSH-TO-OPEN DOOR LATCH

This small but mighty latch is able to push a door up to 275 lbs Easy to install and very durable and discrete. Available in two finishes. **Read more pg. 54.**

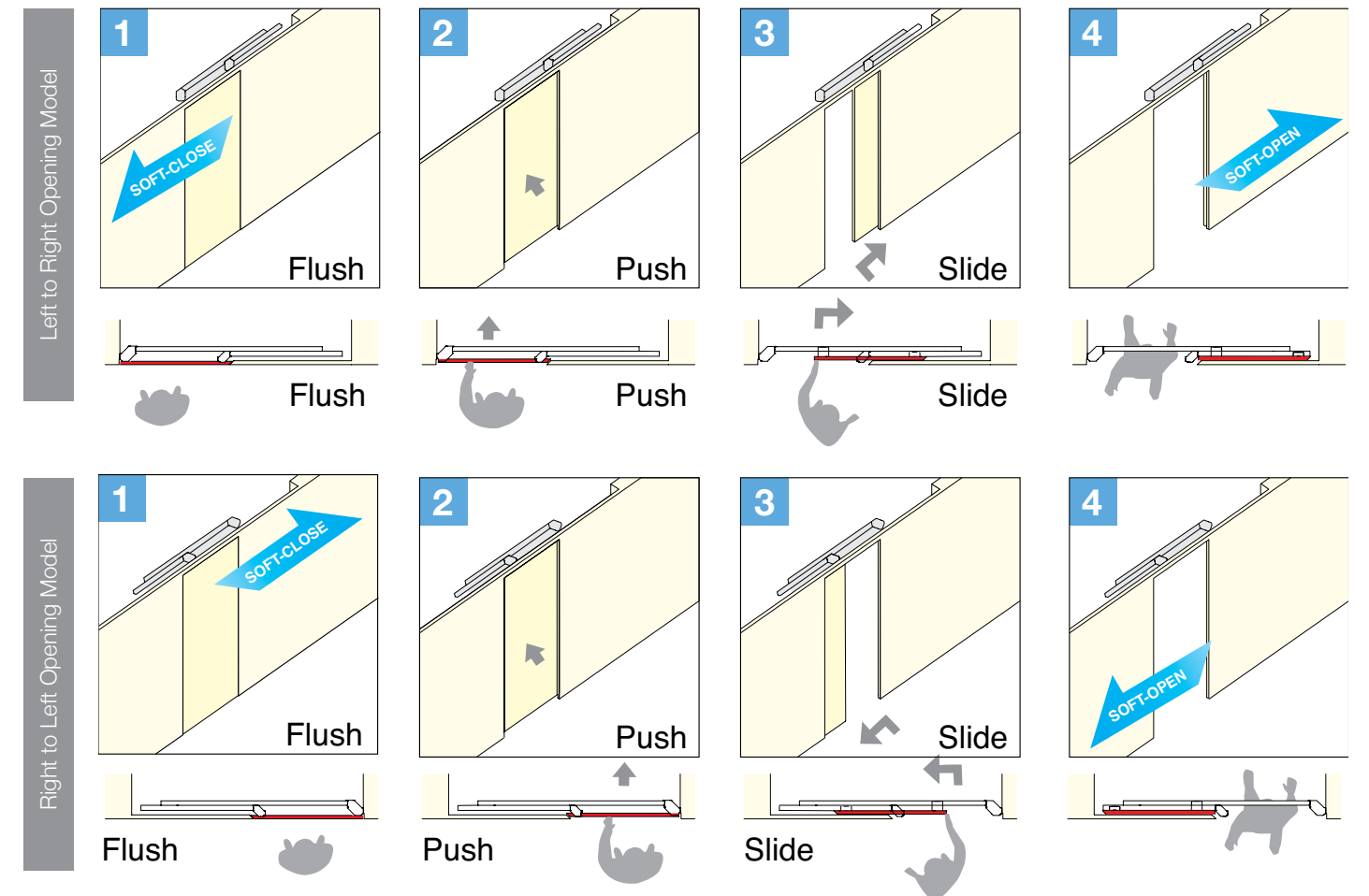
# MonoFlat UNISON

	MFU1200-40	MFU1200-70
Door Width	31-1/2" ~ 47-1/4" (800~1200 mm)	
Door Height	Max. 106-5/16" (2700 mm)	
Door Thickness	1-3/16" ~ 1-9/16" (30-40 mm)	
Door Weight	44 ~ 88 lbs (20 ~ 40 kg)	88 ~ 154 lbs (40 ~ 70 kg)
Adjustability	Depth: ±3.5 mm (1/8")	
	Horizontal: ±4 mm (3/16")	
	Vertical: ±4 mm (3/16")	

- Designed to CLOSE FLUSH against surrounding walls, providing sleek appearance.
- UNIQUE MOVEMENT: Recesses in, and then slides sideways in a smooth continuous motion.
- CLEAN APPEARANCE: No floor tracks required on MFU-System.
- Excellent performance, reliable and fully adjustable.
- Features two-way damper to avoid slamming during opening or closing.
- DURABILITY: High durability, passed 100,000 open/close cycle test (private).



Item No.	Description	Door Weight
MFU1200-40-L (Light duty Left)	Left to Right Opening	44 ~ 88 lbs (20 ~ 40 kg)
MFU1200-40-R (Light duty Right)	Right to Left Opening	44 ~ 88 lbs (20 ~ 40 kg)
MFU1200-70-L (Heavy duty Left)	Left to Right Opening	88 ~ 154 lbs (40 ~ 70 kg)
MFU1200-70-R (Heavy duty Right)	Right to Left Opening	88 ~ 154 lbs (40 ~ 70 kg)



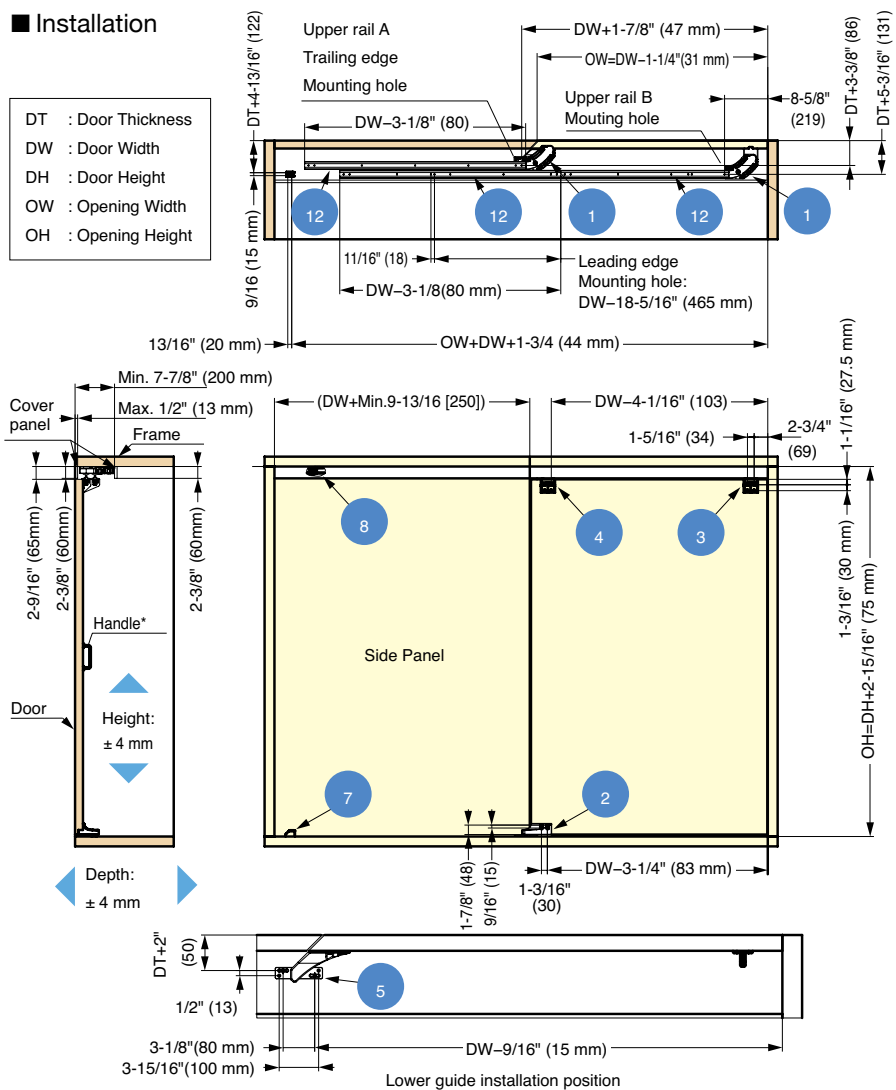
\* The door cannot be opened from the inside without a handle (not included).

FLUSH SLIDING DOOR SYSTEM

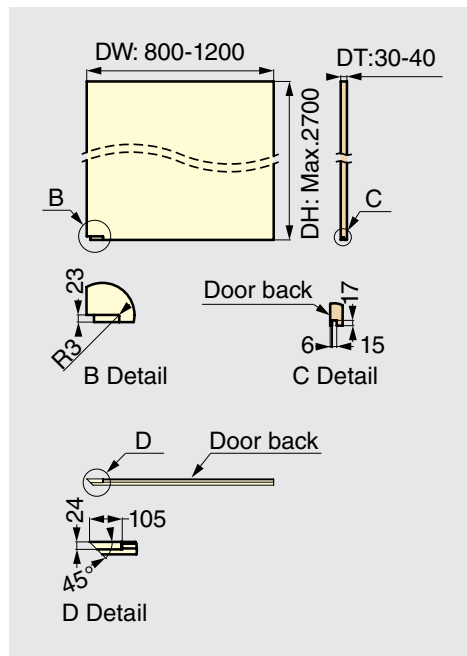
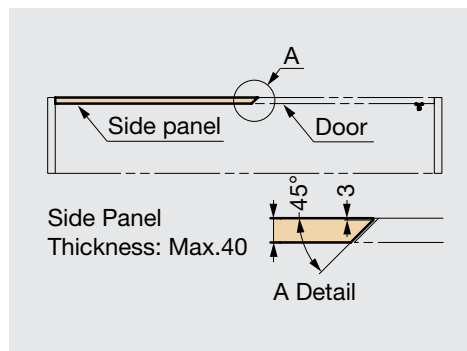
MFU-1200



Installation



Chamfering

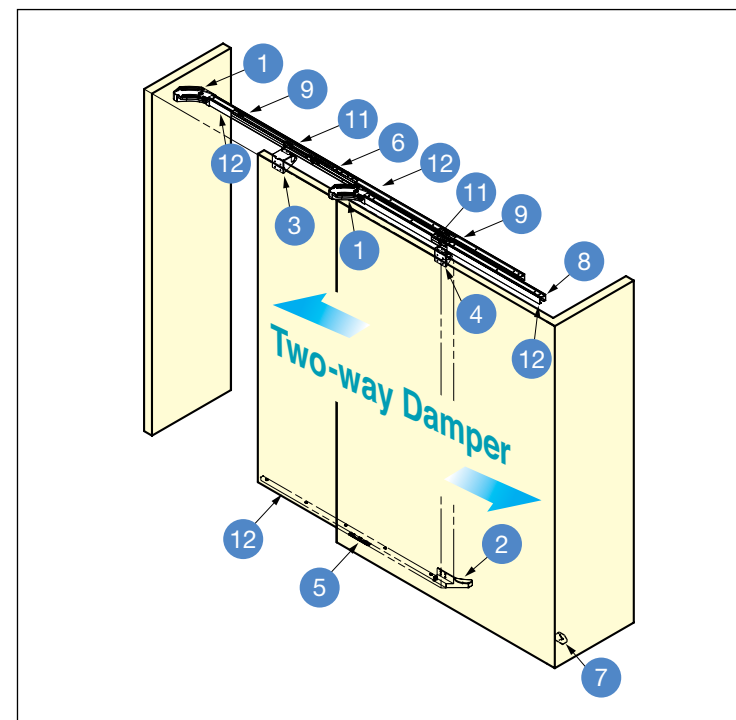


PART DETAILS

Self-Close Rollers		included		
No.	Type	Item No.	Part Name	Description
1	Door Weight 44-88 lbs (20-40 kg)	MFU1200-40DSC-BL	Soft closer (leading edge) 1 pc	Material: Steel/POM Finish: Mirror/Black
	Door Weight 88-154 lbs (40-70 kg)	MFU1200-70DSC-BL	Door roller (trailing edge) 1 pc	Material: Steel Finish: Mirror/Black

Tracks		included		
No.	Item No.	Part Name	Drawing	Description
12	MFU1200-RS-BL	Upper track A* 1120mm 2 pcs Upper track B 850mm 1 pc Bottom guide channel 1100mm 1 pc		Material: Aluminium Alloy Finish: Silver Anodized + Coating/Clear Material: Aluminium Alloy Finish: Silver Anodized + Coating/Clear

\* Cut upper track A and bottom track according to the door size.



Item Name	Description
MFU1200-L-BL	Left to Right Opening
MFU1200-R-BL	Right to Left Opening

Detail				
No.	Qty	Part Name	Drawing (L type) in mm	Description
1	2	Guiding track (top)		Material: Aluminium Alloy Finish: Black Enamel
2	1	Guiding track (bottom)		Material: Aluminium Alloy Finish: Black Enamel
3	1	Bracket (leading edge)		Material: Steel Finish: Black Enamel
4	1	Bracket (trailing edge)		Material: Steel Finish: Black Enamel
5	1	Bottom guide		Material: Steel / POM Finish/Color: Mirror/Black
6	1	Connecting plate		Material: Steel Finish: Mirror/Black
7	1	Door stopper (floor)		Material: Zinc Alloy Finish/Color: Chromate Treatment, Grey
8	1	Bumper block		Material: Eteel/Elastomer Finish/Color: Chromate Treatment, Grey
9	2	Trigger		Material: steel Finish: Chromate Treatment
10	1	Jig	Can be ordered separately	Item Name: FD80-TRJ Material: POM Color: green

RECESSED MOUNT POCKET DOOR SYSTEM

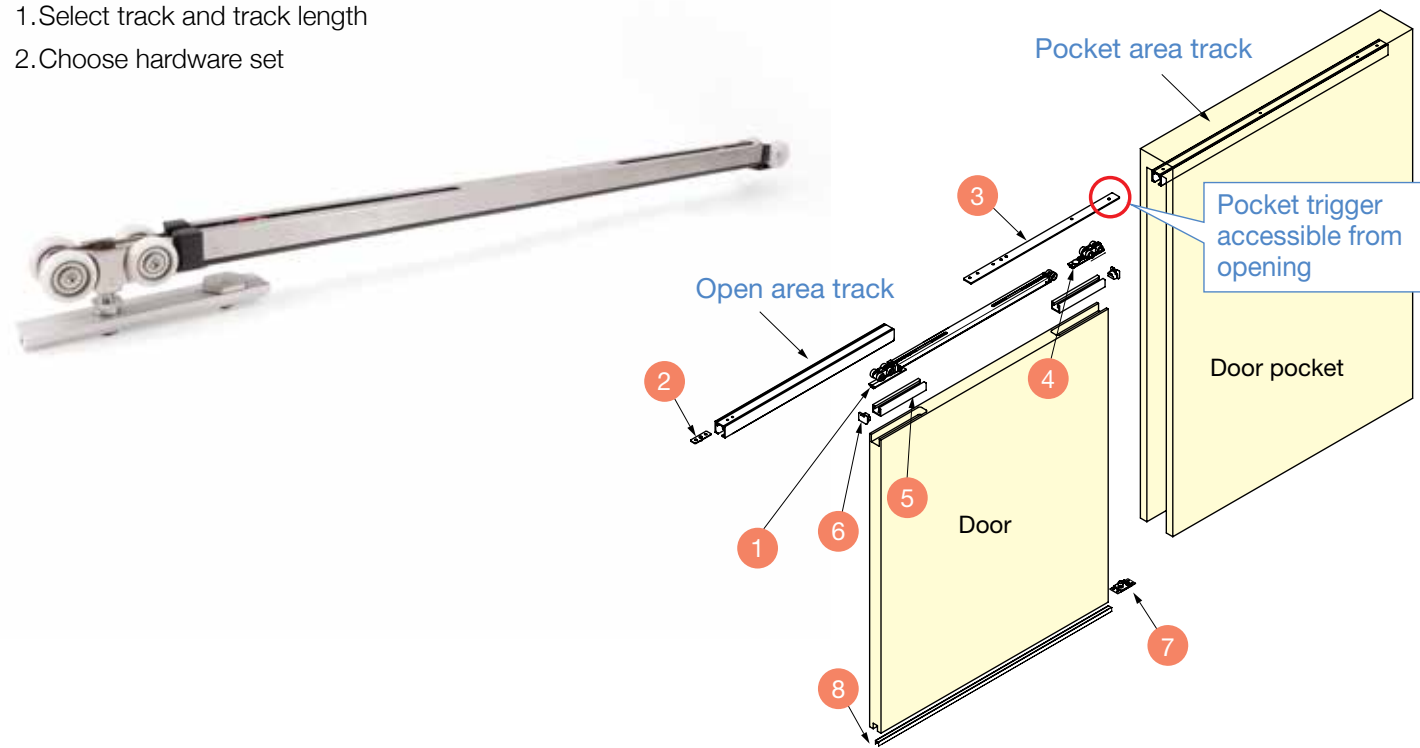
FD80DHCHP-PD



FD80DHCHP-PD Recessed Mount	
Roller	Top Recessed on Door
Track Mounting	Ceiling
Door Weight	Min. 77 lbs (35 kg)
	Max. 176 lbs (80 kg)
Door Thickness	Recessed: 1-5/16" (34 mm)
Door Width	If less than 98-7/16" (2500 mm) 30-7/8" ~ 59-1/16" (784 ~ 1500 mm)
	If greater than 98-7/16" (2500 mm) 33-7/16" ~ 59-1/16" (850 ~ 1500 mm)
Door Height	Max. 106-5/16" (2700 mm)

- Load capacity: 176 lbs (80 kg).
- Use with removable jamb/trim/casing.
- Easy installation and maintenance.
- Built-in soft-close and soft-open damper.
- Two-rail system, allows all components to be fixed or adjusted through the opening without breaking the pocket.
- Rollers are recessed mounted to top of door.
- High durability, passed 200,000 cycle test (private).
- For interior use only.

- How to order:
1. Select track and track length
  2. Choose hardware set

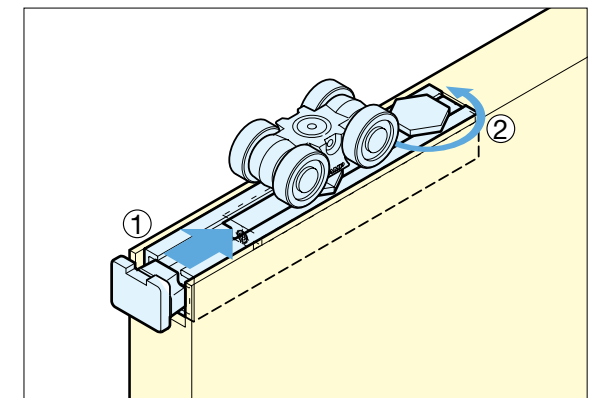


Parts Set (Per Door)		Necessary Parts	
Item Code	Item Name	Description	
250-029-771	FD80DHCHP-PD	Recessed Roller Two-Way Soft Close	

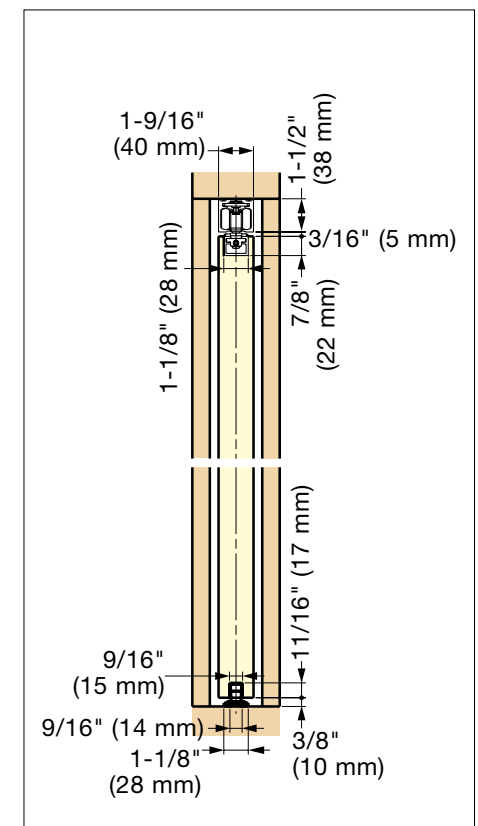
Parts Included			
No.	Qty	Part Name	Description
1	1 pc	Recessed Mount Roller Two-Way Soft Close	<b>Item Name: FD80-WRH-DSC</b> • Material: Zinc Alloy (ZDC) / Polyacetal (POM) • Finish / Color: Nickel / Black Remarks: Do not use the included trigger.
2	1 pc	Front Trigger	<b>Item Name: FD80-TRGPF</b> • Material: Stainless Steel (SUS304) • Finish: Steel
3	1 pc	Pocket Trigger	<b>Item Name: FD80-TRGPB-MB</b> • Material: Stainless Steel (SUS304) • Finish: Plain
4	1 pc	Recessed Roller	<b>Item Name: FD80-WRH</b> • Material: Zinc Alloy (ZDC) / Polyacetal (POM) • Finish / Color: Nickel / Natural
5	2 pcs	Hanging Bracket (160 mm)	<b>Item Name: FD70B-HB160</b> • Material: Aluminium Alloy • Finish: Anodized Silver • Screw: Pan Head Tapping Screw 5x40
6	2 pcs	End Cap	<b>Item Code: 250-121-142</b> <b>Item Name: FD70B-EC-BL</b> • Material: Elastomer (TPE) • Color: Black
7	1 pc	Floor Guide	<b>Item Name: FD50-BGR18</b> • Material: Stainless Steel (SUS430) / Polyacetal (POM) • Finish / Color: Polished / Natural • Screw: Raised Countersunk Head Tapping Screw 3.5x30
8	1 pc	Bottom Guide Rail (1500 mm)	<b>Item Name: FD30-HBRT1500SIL</b> • Material: Aluminium Alloy • Finish: Anodized Silver

Upper Track		Necessary Parts			
No.	Length	Item Code	Part Name	Dimensions	Desc.
9	1260 mm	FD80-TRP1260-SL	Upper Track		• Material: Aluminium Alloy • Finish: Anodized Silver
10	2160 mm	FD80-TRP2160-SL			
11	2760 mm	FD80-TRP2760-SL			
12	3960 mm	FD80-TRP3960-SL			

Top Recessed Roller



Surface Track Top Recessed Roller



# SURFACE MOUNT POCKET DOOR SYSTEM

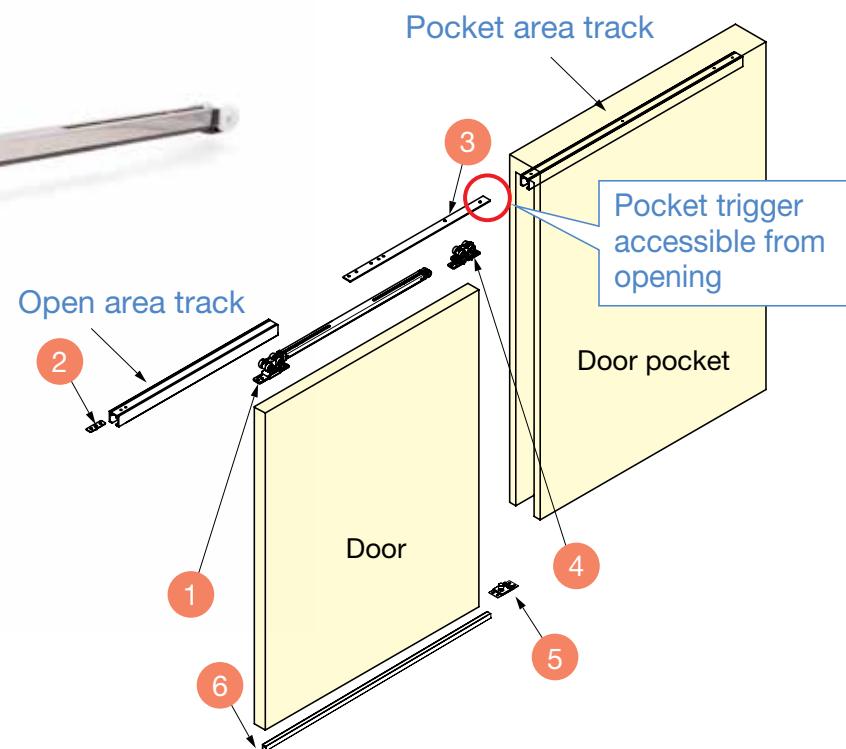
## FD80DHCMP-PD



	FD80DHCHP-PD Recessed Mount
Roller	Top Surface on Door
Track Mounting	Ceiling
Door Weight	Min. 77 lbs (35 kg)
	Max. 176 lbs (80 kg)
Door Thickness	Surface: 1-3/16" (30 mm)
Door Width	If less than 98-7/16" (2500 mm) 30-7/8" ~ 59-1/16" (784 ~ 1500 mm)
	If greater than 98-7/16" (2500 mm) 33-7/16" ~ 59-1/16" (850 ~ 1500 mm)
Door Height	Max. 106-5/16" (2700 mm)

- Load capacity: 176 lbs (80 kg).
- Use with removable jamb/trim/casing.
- Easy installation and maintenance.
- Built-in soft-close and soft-open damper.
- Two-rail system, allows all components to be fixed or adjusted through the opening without breaking the pocket.
- Rollers are surface mounted to top of door.
- High durability, passed 200,000 cycle test (private).
- For interior use only.

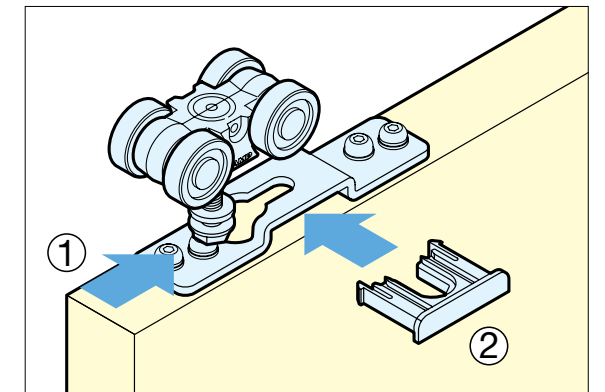
- How to order:
1. Select track and track length
  2. Choose hardware set



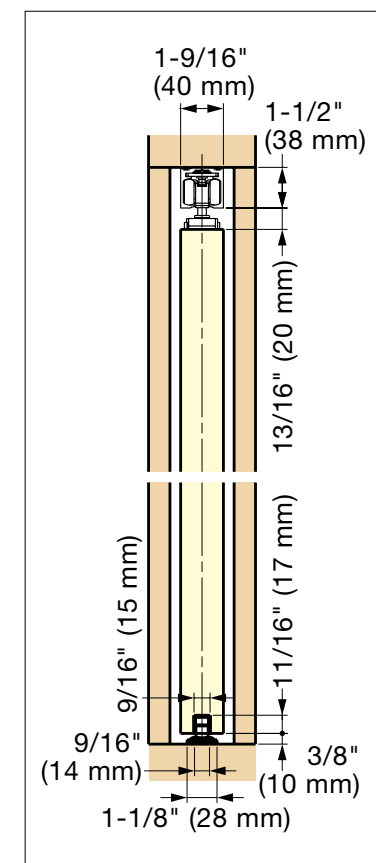
Parts Set (Per Door)		Necessary Parts		
Item Code	Item Name	Description		
250-029-722	FD80DHCMP-PD	Surface Mount Roller Two-Way Soft Close		
Parts Included				
No.	Qty	Part Name	Dimensions	Description
1	1 pc	Surface Mount Roller Two-Way Soft Close		<b>Item Name: FD80-WRM-DSC</b> • Material: Steel / Polyacetal (POM) • Finish: Chromate / Black • Screw: Pan Head Tapping Screw 4x45 Remark: Do not use the included trigger.
2	1 pc	Front Trigger		<b>Item Name: FD80-TRGPF</b> • Material: Stainless Steel (SUS304) • Finish: Plain
3	1 pc	Pocket Trigger		<b>Item Name: FD80-TRGPB-MB</b> • Material: Stainless Steel (SUS304) • Finish: Plain
4	1 pc	Surface Mount Roller		<b>Item Name: FD80-WRM</b> • Material: Zinc Alloy (ZDC) / Polyacetal (POM) • Finish: Nickel / Natural • Screw: Pan Head Tapping Screw 4x45
5	1 pc	Floor Guide		<b>Item Name: FD50-BGR18</b> • Material: Stainless Steel (SUS430) / Polyacetal (POM) • Finish: Countersunk / Natural • Screw: Pan Head Tapping Screw 4x45
6	1 pc	Bottom Guide Rail (1500 mm)		<b>Item Name: FD30-HBRT1500SIL</b> • Material: Aluminium Alloy • Finish: Anodized Silver

Upper Track		Necessary Parts			
No.	Length	Item Code	Part Name	Dimensions	Desc.
7	1260 mm	FD80-TRP1260-SL	Upper Track		• Material: Aluminium Alloy • Finish: Anodized Silver
8	2160 mm	FD80-TRP2160-SL			
9	2760 mm	FD80-TRP2760-SL			
10	3960 mm	FD80-TRP3960-SL			

### Top Surface Roller

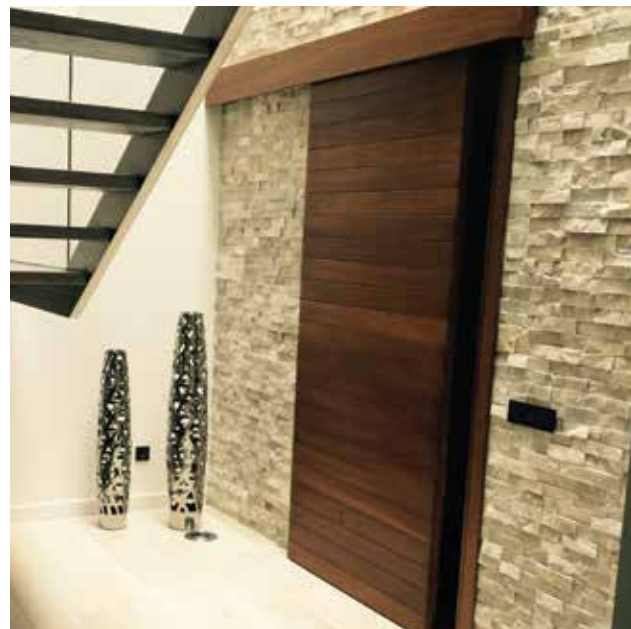


### Surface Track Top Recessed Roller



# SURFACE MOUNT SLIDING DOOR HARDWARE

## SDR-RA80-SM



Type	SDR-RA80-SM Surface Mount Sliding Door	
Roller	Top Surfaced	
Track Mounting	Ceiling	Wall w/Continuous Bracket
Door Weight	Max. 200 lbs (90 kg)	
Door Thickness	Min. 1-1/8" (28 mm)	
Door Width	Two-Way Soft Close Min. 32-1/2" (825 mm) Standard Close Min. 23-5/8" (600 mm)	

- Load capacity: 200 lbs (90kg).
- Ceiling or barn door mount.
- Double rollers with ball bearings.
- Quiet precision movement with soft close feature.
- Vertical adjustment  $\pm 1/16"$  (1 mm).
- Surface mounted door brackets.
- Successfully passed 100,000 cycles test (private).

### Ordering Information

#### 1. Track Options

Track Type	Length	Item No.	Description
Standard Aluminum Track	78-3/4 (2000 mm)	SDR-RA80-2000	
	118-1/8 (3000 mm)	SDR-RA80-3000	
False Ceiling Aluminum Track	78-3/4" (2000 mm)	SDR-RA80-TC-2000	

- How to order:
  1. Select track and track length
  - 1A. Select any optional parts for track
  2. Choose hardware set

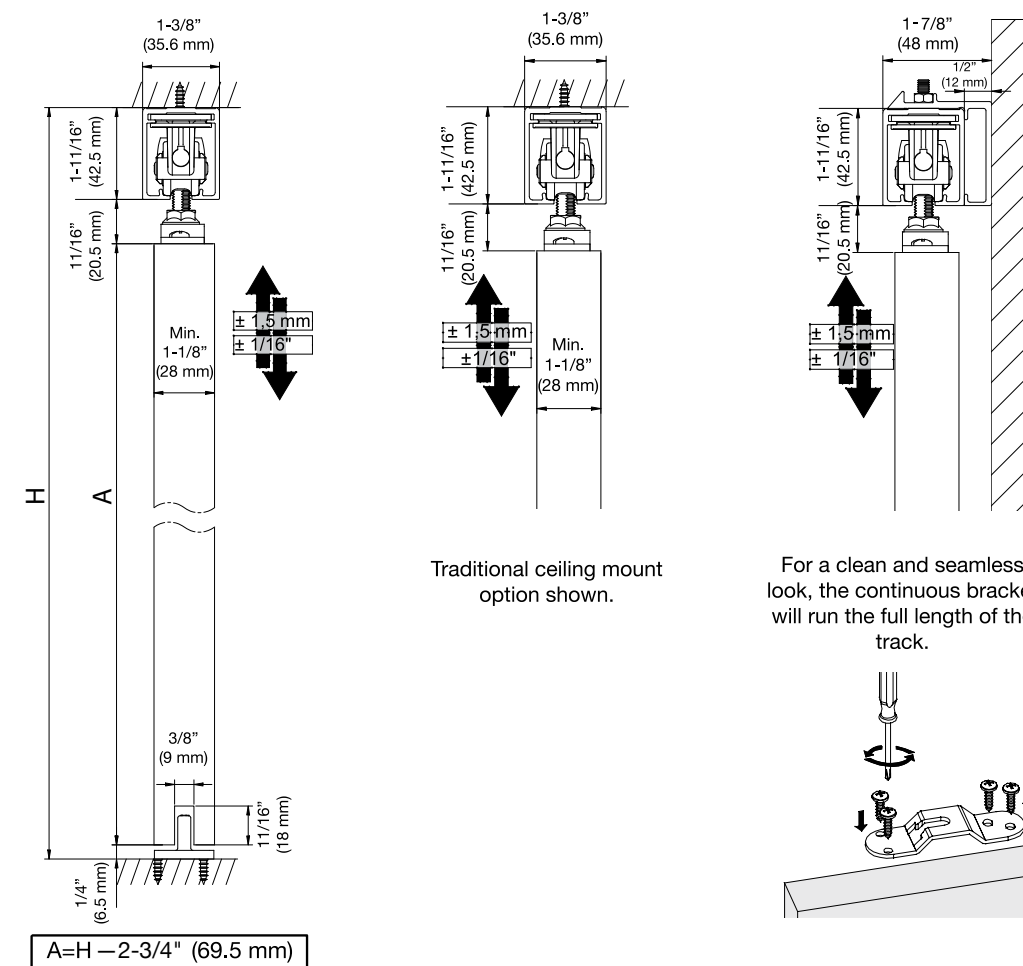
#### 1A Optional Parts for Track

SDR-RA80WL-2000 SDR-RA80WL-3000 Wall Mount Bracket	SDR-RA80-8083 End Cover for Track	SDR-RA80-8085 End Cover for Track & Wall Mount Bracket	SDR-A-4140 Bottom Guide Roller	SDR-A-4131 Bottom Guide Channel

#### 2. Hardware Set

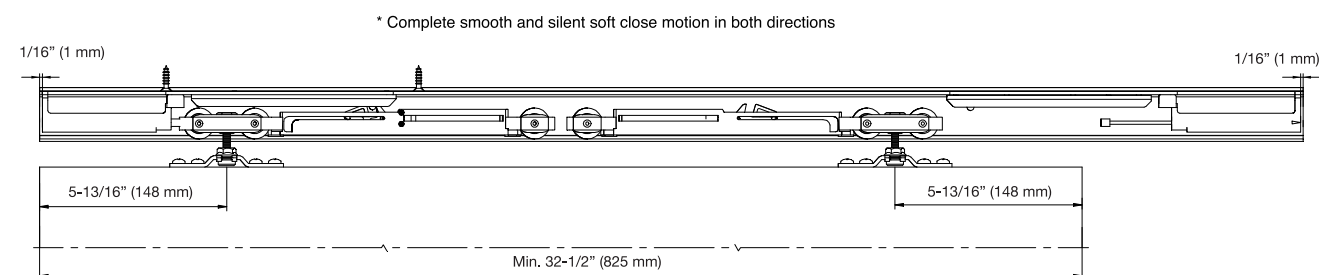
Closing Feature	Item No.	Set Details
Dual Soft Close	SDR-RA80-SM-DSC	(1) SDR-RA80-SM-KIT Surface Mount Brackets + (2) SDR-RA80-8006 Soft Close Rollers
Standard Closing	SDR-RA80-SM-RR	(1) SDR-RA80-SM-KIT Surface Mount Brackets + (2) SDR-RA80-8080 Standard Rollers

### TRACK MOUNTING OPTIONS

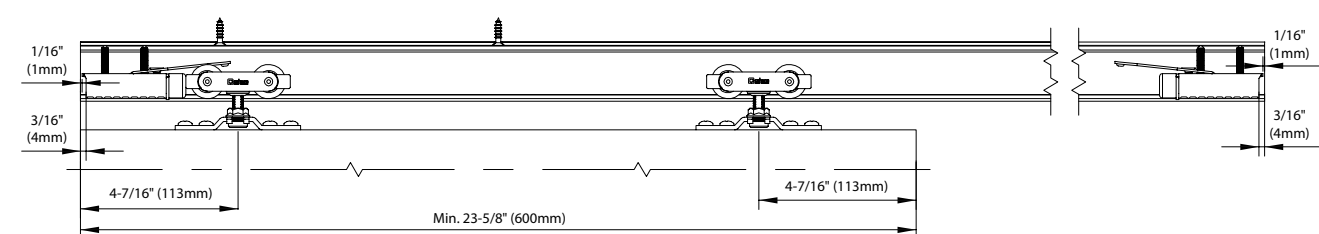


#### Track Details

##### Two-Way Soft Close



##### Standard Closing



RECESSED MOUNT SLIDING DOOR HARDWARE

SDR-RA80-RM



Type	SDR-RA80-RM Recessed Mount Sliding Door	
Roller	Top Recessed	
Track Mounting	Ceiling	Wall w/Continuous Bracket
Door Weight	Max. 200 lbs (90 kg)	
Door Thickness	Min. 1-1/8" (28 mm)	
Door Width	Two-Way Soft Close Min. 33-7/16" (850 mm) Standard Close Min. 23-5/8" (600 mm)	

- Load Capacity: 200 lbs (90kg).
- Ceiling and Barn Door Mount, Recessed Mounted door brackets.
- Double rollers with ball bearings.
- Quiet precision movement with Soft Close Feature.
- Low profile minimum gap of 1/8" (3 mm).
- Vertical Adjustment  $\pm 1/16"$  (1 mm).
- Recessed mounted door brackets.
- Successfully passed 100,000 cycles test (private).

Ordering Information

1. Track Options

Track Type	Length	Item No.	Description
Standard Aluminum Track	78-3/4" (2000 mm)	SDR-RA80-2000	
	118-1/8" (3000 mm)	SDR-RA80-3000	
False Ceiling Aluminum Track	78-3/4" (2000 mm)	SDR-RA80-TC-2000	

How to order:

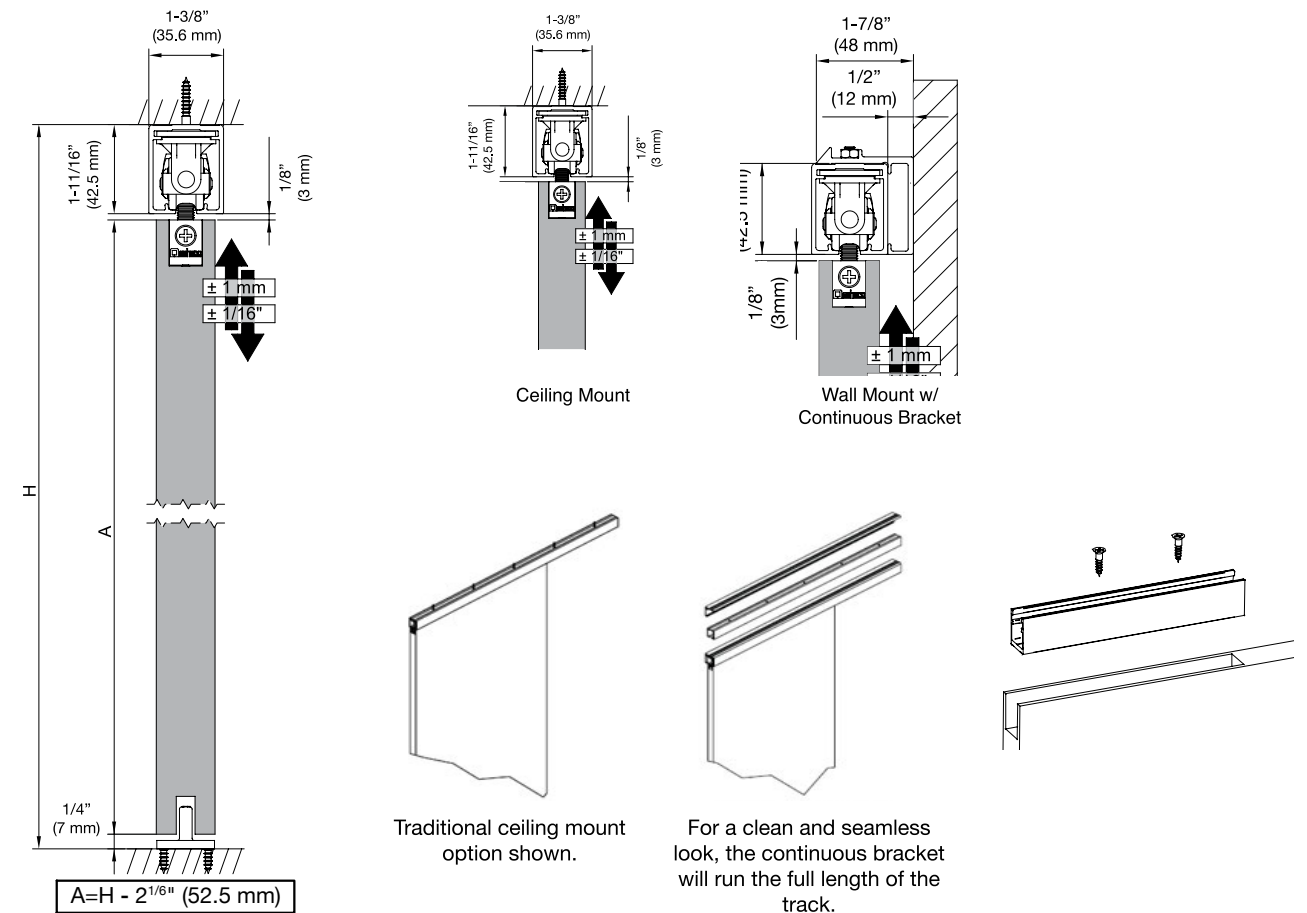
- Select track and track length  
1A. Select any optional parts for track
- Choose hardware set

1A Optional Parts for Track				
SDR-RA80WL-2000 SDR-RA80WL-3000 Wall Mount Bracket	SDR-RA80-8083 End Cover for Track	SDR-RA80-8085 End Cover for Track & Wall Mount Bracket	SDR-A-4140 Bottom Guide Roller	SDR-A-4131 Bottom Guide Channel

2. Hardware Set

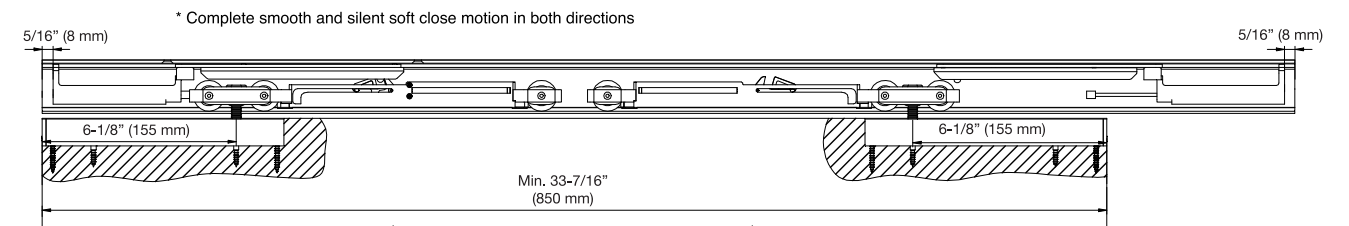
Closing Feature	Item No.	Set Details
Two-Way Soft Close	SDR-RA80-RM-DSC	(1) SDR-RA80-8084 Recessed Bracket + (2) SDR-RA80-8006 Soft Close Rollers
Standard Closing	SDR-RA80-RM-RR	(1) SDR-RA80-8084 Recessed Bracket + (2) SDR-RA80-8080 Standard Rollers

TRACK MOUNTING OPTIONS

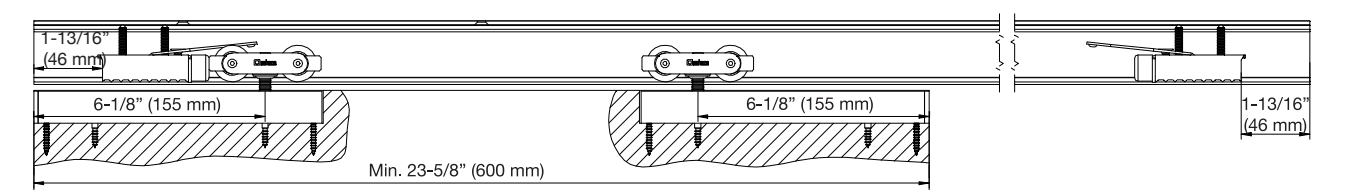


Track Details

Two-Way Soft Close



Standard Closing





# SLIDING DOOR HARDWARE (Door Weight 275 lbs)

## SDR-A125



Type	SDR-A125	
	Standard Sliding	
Roller	Top Recessed	Top Surface
Door Weight	Max. 275 lbs (125 kg)	
Door Thickness	Min. 1-3/8" (35 mm)	
Door Width	Min. 19-11/16" (500 mm)	

- Weight Capacity 275 lbs (125 kg).
- Ceiling mount.
- Recessed and Top Surface Mounted door brackets.
- Double rollers with ball bearings.
- Quiet precision movement.
- Low profile minimum gap of 1/8" (3 mm) Recess mount.
- Vertical Adjustment:  
Recessed mount ± 1/16" (1 mm), Surface mount ± 1/8" (2.5 mm).

### Ordering Information

#### 1. Track Options

Track Type	Length	Item No.	Description
Standard Aluminum Track	118-1/8" (3000 mm)	SDR-A125-3000	
False Ceiling Aluminum Track	118-1/8" (3000 mm)	SDR-A125-12532	

#### 1A. Optional Parts for Track

SDR-A125-10433 Clip on Fascia	SDR-A-6056 Clip on Bracket for Timber	SDR-A125-12557 End Caps for Track	SDR-A81-6961 Aluminum Separator
SDR-A-4131 Bottom Guide Channel	SDR-A-4140 Bottom Guide Roller	SDR-A300-30064 Short Bracket	

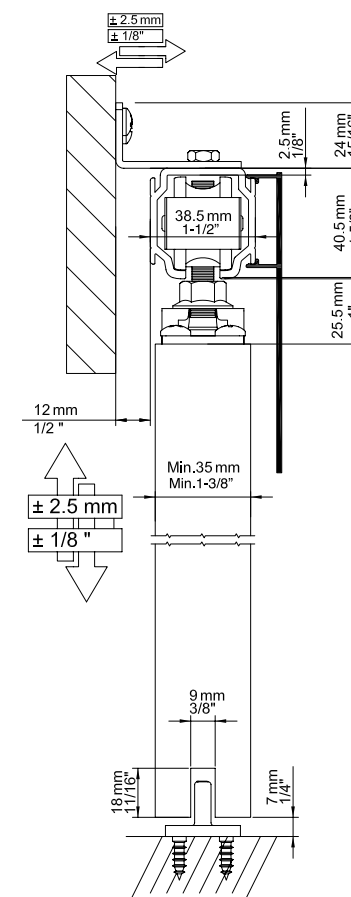
#### 2. Hardware Set

Door Mount	Item No.	Set Details
Top Recessed	SDR-A125TR-PRT	Top Recessed Roller Set
Top Surface	SDR-A125TS-PRT	Top Surface Roller Set

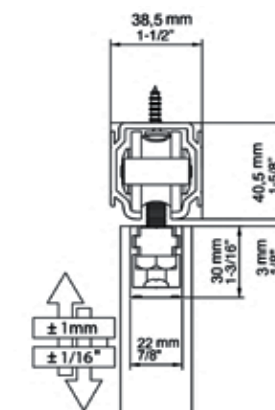
#### How to order:

- Select track and track length
- 1A. Select any optional parts for track
- Choose hardware set

### TRACK MOUNTING OPTIONS

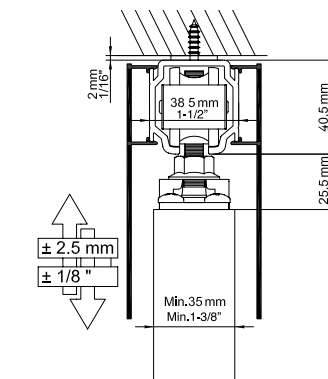


#### Top Recessed (SDR-A125TR)

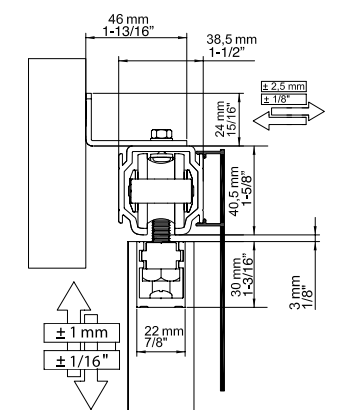


Ceiling Mount  
Traditional Ceiling mount option shown with recessed rollers.

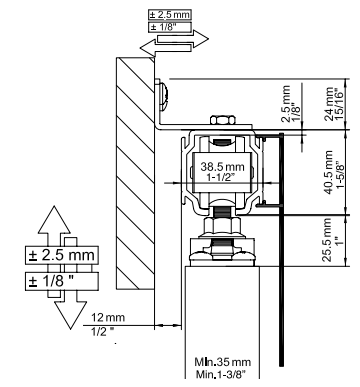
#### Top Surface (SDR-A125TS)



Ceiling Mount  
Traditional Ceiling mount option shown. Fascia can be mounted on both sides if needed.



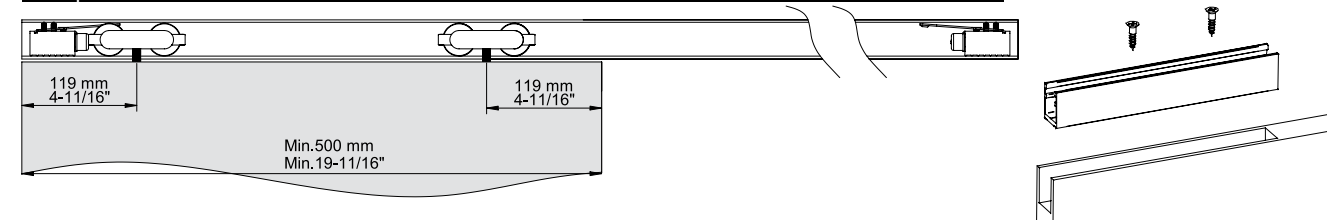
Wall Mount w/ Short Bracket  
Top track short bracket for Barn Door style mounting that allows fast and simple installation.



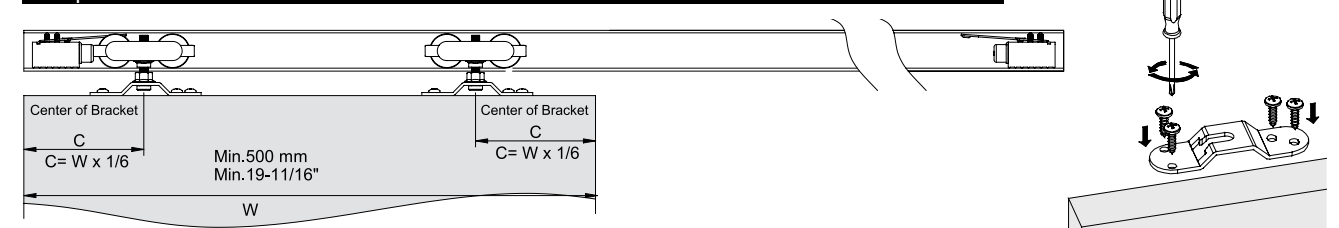
Wall Mount w/ Short Bracket  
Top track short bracket for Barn Door style mounting that allows fast and simple installation.

#### Track Details

##### Top Recessed



##### Top Surface



# SLIDING DOOR HARDWARE (Door Weight 660 lbs)

## SDR-A300



Type	SDR-A300	
	Standard Sliding	
Roller	Top Recessed	Top Surfaced
Door Weight	Max. 660 lbs (300 kg)	
Door Thickness	Min. 1-3/8" (35 mm)	
Door Width	Min. 23-5/8" (600 mm)	

- Load Capacity: 660 lbs (300 kg) Heavy Duty Model.
- Ceiling and Barn Door Mount.
- Recessed and Top Surface Mounted door brackets.
- Double rollers with ball bearings.
- Quiet precision movement.
- Low profile minimum gap of 1/8" (3 mm) Recess Mount.
- Vertical Adjustment:
  - Recessed mount ± 1/4" (6 mm)
  - Surface mount ± 1/16" (2 mm)

### Ordering Information

#### 1. Track Options

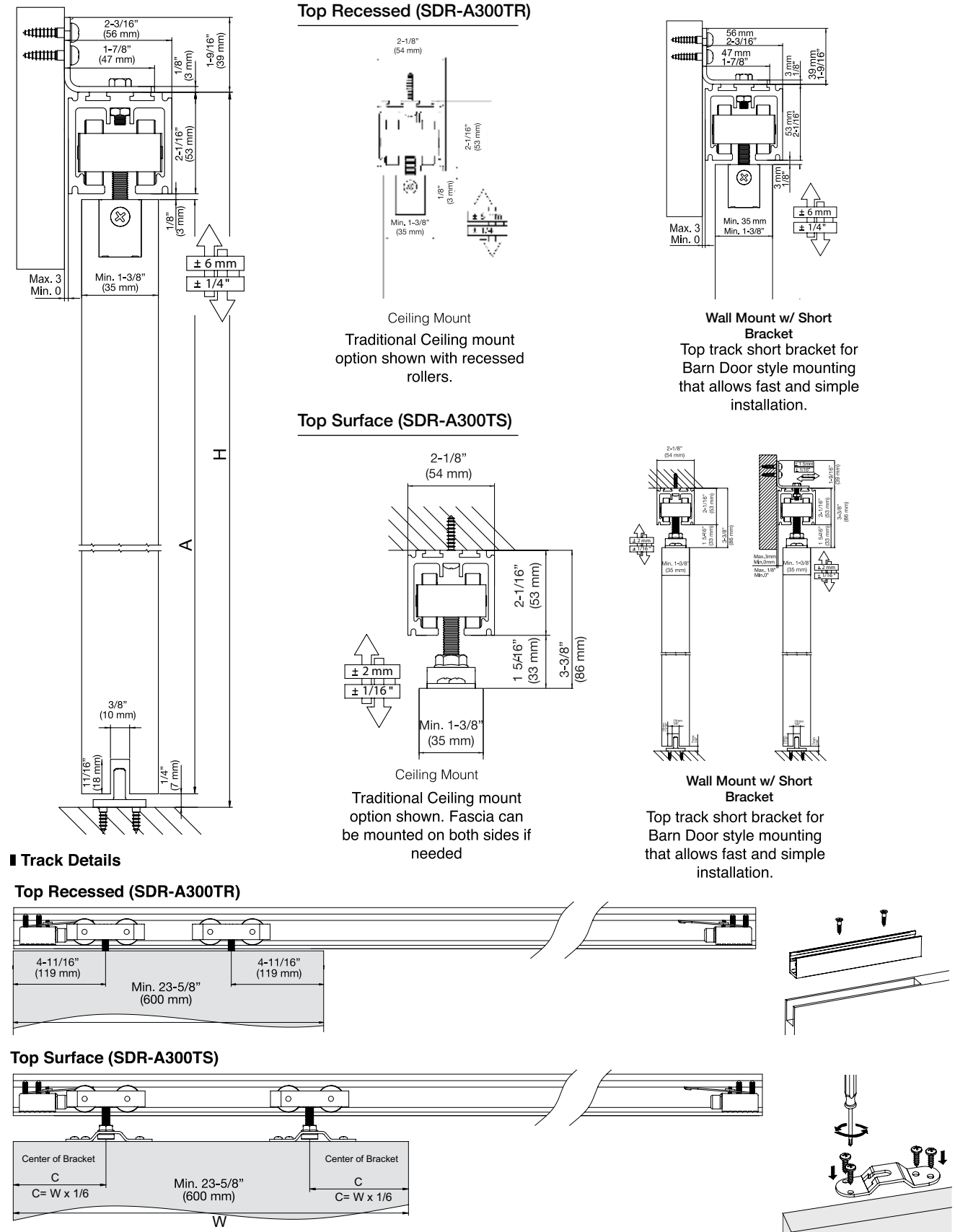
Track Type	Length	Item No.	Description
Standard Aluminum Track	118-1/8" (3000 mm)	SDR-A300-3000	
<b>1A</b> Optional Parts for Track			
SDR-A-4131 Bottom Guide Channel	SDR-A300-30057 End Caps for Tracks	SDR-A-4140 Bottom Guide Roller	SDR-A300-30064 Short Bracket

#### 2. Hardware Set

Door Mount	Item No.	Set Details
Top Recessed	SDR-A300TR-PRT	 Top Recessed Roller Set
Top Surface	SDR-A300TS-PRT	 Top Surface Roller Set

- How to order:
  1. Select track and track length
  - 1A. Select any optional parts for track
  2. Choose hardware set

### TRACK MOUNTING OPTIONS



# FOLDING DOOR HARDWARE (Door Weight 88 lbs per door) SDR-A84D



Type	SDR-A84D	
	Folding Door	
Roller	Top Recessed	
Track Mounting	Ceiling	
Door Weight	Max. 88 lbs (40 kg) per panel	
Door Thickness	1-3/8" ~ 2" (50 mm ~ 35 mm)	
Door Panel Width	Min. 21-1/32" (550 mm)	
Door Width	Two Doors: Max. 39-3/8" (1000 mm)	Four Doors: Max. 29-1/2" (750 mm)

- Load capacity: 88 lbs per panel.
- Compatible with 2 or 4 doors.
- Ceiling mount options.
- Recessed Mounted door brackets.
- Concealed Hinges Recommended.
- Double rollers with ball bearings with quiet precision movement.
- Low profile minimum gap of 3/16" (5 mm).
- Recess Mount.
- Optional bottom track (not required).

## Ordering Information

### 1. Track Options

Track Type	Length	Item No.	Description	1A Optional Parts for Track
Standard Aluminum Track	78-3/4" (2000 mm)	SDR-A84D-2000		 SDR-A-4131 Bottom Guide Channel  SDR-A-4110 Bottom Guide Roller
	118-1/8" (3000 mm)	SDR-A84D-3000		
False Ceiling Aluminum Track	118-1/8" (3000 mm)	SDR-A84D-TC-3000		

- How to order:
  1. Select track and track length
  - 1A. Select any optional parts for track
  2. Choose hardware set
  - 2A. Select any optional parts for hardware set

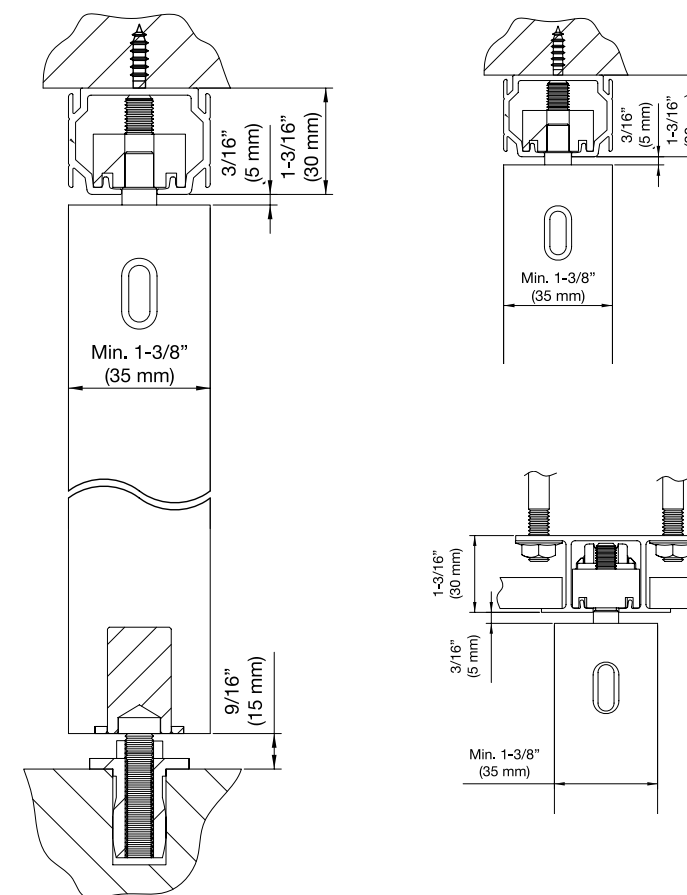
### 2. Hardware Set

Door Mount	Load Rating Per Door	Item No.	Set Details
Two Door Assembly	Up to 66 lbs	SDR-A84D-2D2HDC	 (2) HES3D-120DC
	Up to 88 lbs	SDR-A84D-2D3HDC	 (1) Set for (1) Pair of Doors (3) HES3D-120DC
Four Door Assembly	Up to 66 lbs	SDR-A84D-4D4HDC	 (6) HES3D-120DC
	Up to 88 lbs	SDR-A84D-4D6HDC	 (1) SDR-A84D-8802 Set for SECOND Pair of Doors (9) HES3D-120DC

### 2A Optional Parts for Hardware Set

 SDR-A84D-8800 Set for Pair of Doors	 SDR-A84D-8801 Set for Single Door	 SDR-A84D-8802 Set for SECOND PAIR of Doors
---	---------------------------------------	--

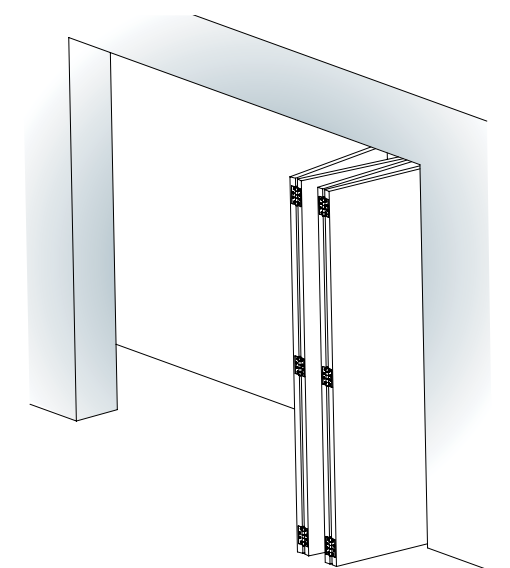
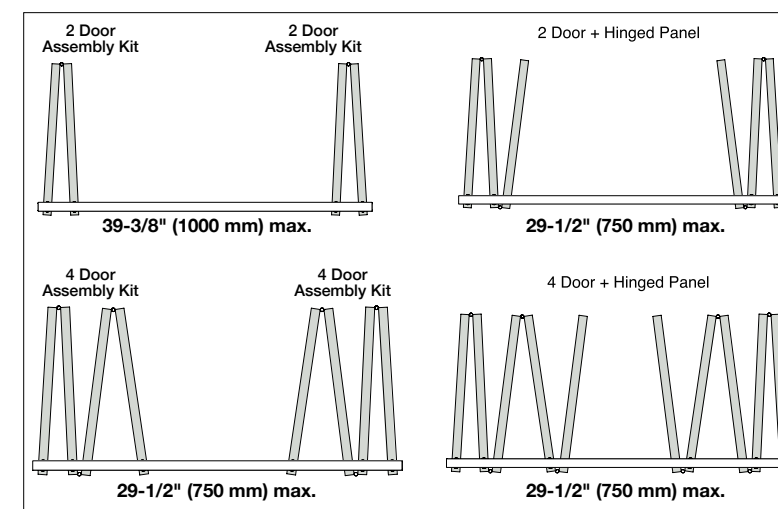
## TRACK MOUNTING OPTIONS



**Ceiling Mount**  
Standard ceiling mount for doorways and closets. Requires 1-3/8" thick doors.

**False Ceiling Mount**  
False ceiling mount for room partition applications. Requires 1-3/8" minimum thick doors. Hardware for sliding doors is completely concealed.

### Configuration Options



SOFT-CLOSE SYNCHRONIZED SLIDING DOOR HARDWARE SDR-RA80SYN



Type	SDR-RA80SYN	
	Synchronized Bi-Parting	
Roller	Top Surface Mount	
Track Mounting	Ceiling	Wall w/Continuous Bracket
Door Weight	Max. 176 lbs (80 kg)	
Door Thickness	Min. 1-1/16" (27 mm)	
Door Width	<b>40 kg door (88 lbs)</b>	<b>80 kg door (176 lbs)</b>
	Min: 28-1/8" (715 mm) Max: 59-1/16" (1500 mm)	Min: 36" (915 mm) Max: 59-1/16" (1500 mm)

- Successfully passed 100,000 cycles test (private).
- 176 lbs (80 kg).
- Ceiling and Wall/Barn Door Mount.
- Surface Mounted Door Brackets.
- Double Rollers with Ball Bearings.
- Quiet Precision Movement.
- Soft Close Feature.
- Vertical Adjustment  $\pm 1/16"$  (1 mm).

**Ordering Information**

■ 1. Track Options

Track Type	Length	Item No.	Description
Standard Aluminum Track	78-3/4" (2000 mm)	SDR-RA80-2000	
	118-1/8" (3000 mm)	SDR-RA80-3000	

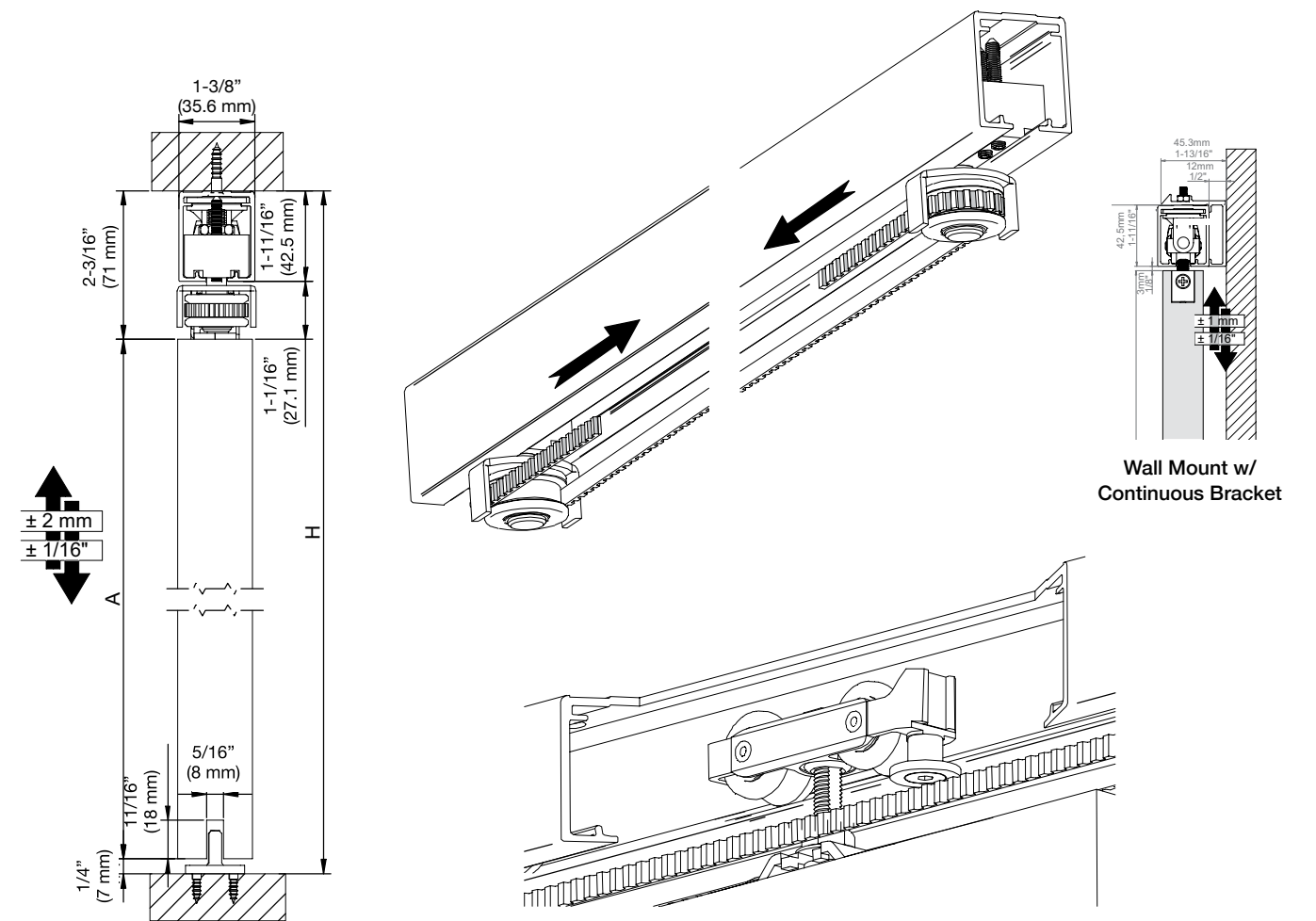
■ 1A Optional Parts for Track		
 SDR-RA80WL-2000 SDR-RA80WL-3000 Wall Mount Bracket	 SDR-RA80-8083 End Cover for Track	 SDR-RA80-8085 End Cover for Track & Wall Mount Bracket

- How to order:
- 1. Select track and track length
- 1A. Select any optional parts for track

■ 2. Hardware Set

Load Rating (Per Door)	Item No.	Set Details
up to 88 lbs (40 kg)	SDR-RA80SYN-40	 Roller & Surface Door Mount Synchronized Set
up to 176 lbs (80 kg)	SDR-RA80SYN-80	 Roller & Surface Door Mount Synchronized Set

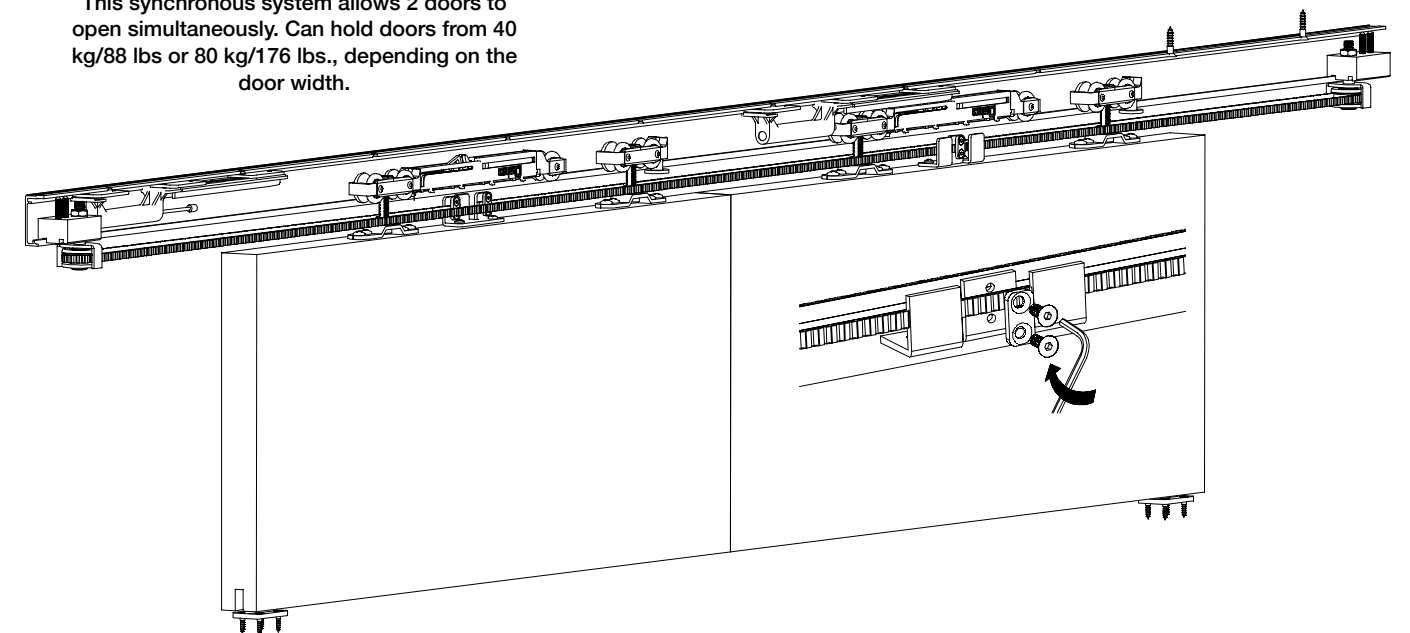
TRACK MOUNTING OPTIONS



$A = H - 3\text{-}1/16'' (78 \text{ mm})$

This synchronous system allows 2 doors to open simultaneously. Can hold doors from 40 kg/88 lbs or 80 kg/176 lbs., depending on the door width.

Synchronized system features an anti-jump feature attached to the rollers.



# SYNCHRONIZED SLIDING DOOR HARDWARE

## SDR-A125SYN

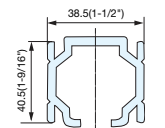


Type	SDR-A125SYN Bi-Parting Synchronizing
Track Mounting	Ceiling
Door Weight	Max. 275 lbs (125 kg)
Door Thickness	Min. 1-3/8" (35 mm)
Door Width	23-5/8" ~ 47-1/4" (600 ~ 1200 mm)

- Load capacity: 275 lbs (125 kg).
- Smooth Bi-Parting synchronized function.
- Ceiling Mount.
- Surface Mounted door brackets.
- Double rollers with ball bearings.
- Quiet precision movement.
- Vertical Adjustment  $\pm 1/8"$  (2.5 mm).

### Ordering Information

#### 1. Track Options

Track Type	Length	Item No.	Description
Standard Aluminum Track	118-1/8" (3000 mm)	SDR-A125-3000	


#### 1A Optional Parts for Track

 SDR-A-125-10433 Anodized Aluminum Fascia (3000 mm)	 SDR-A81-6061 Aluminum Separator
--	---

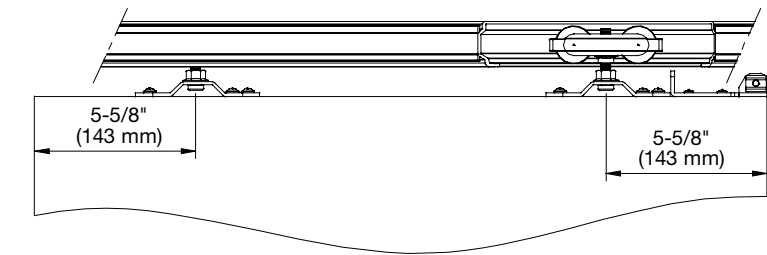
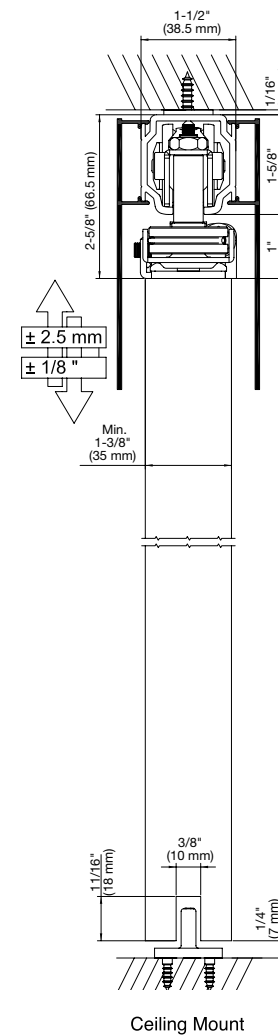
- How to order:
  1. Select track and track length
  - 1A. Select any optional parts for track
  2. Choose hardware set

\* If installing fascia for ceiling mount, one per each fixing point

#### 2. Hardware Set

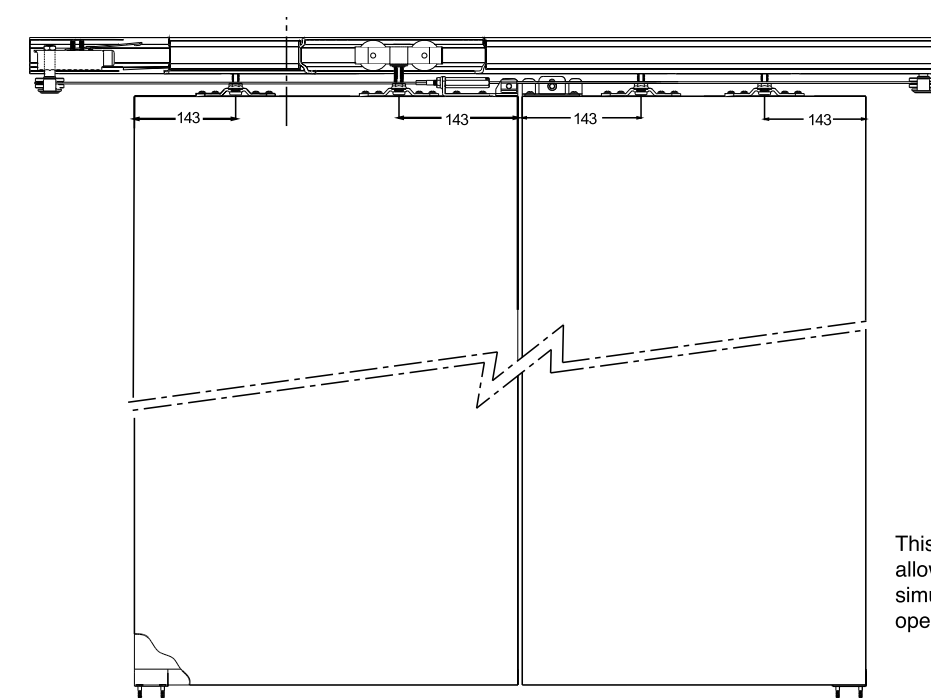
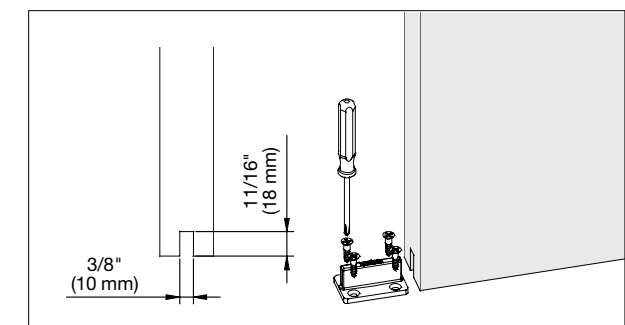
Door Mount	Item No.	Set Details
Surface Bracket with Synchronized Bracket Set	SDR-A125SYN-KIT	 (2) SDR-A125TS-PRT + (1) SDR-A125SYN-PRT

### TRACK MOUNTING OPTIONS



The Bi-parting Synchronized door system allows for wider door openings in a variety of spaces. The top hung doors leave the floor free of tracks and make this system desirable for entrances to conference rooms, kitchen or bathrooms.

#### Floor Guide Installation



This synchronous system allows 2 sliding doors to open simultaneously. Can be applied to opening of 7' and 10-1/2".

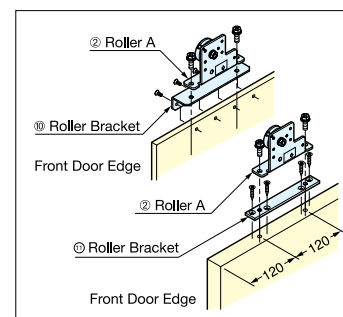
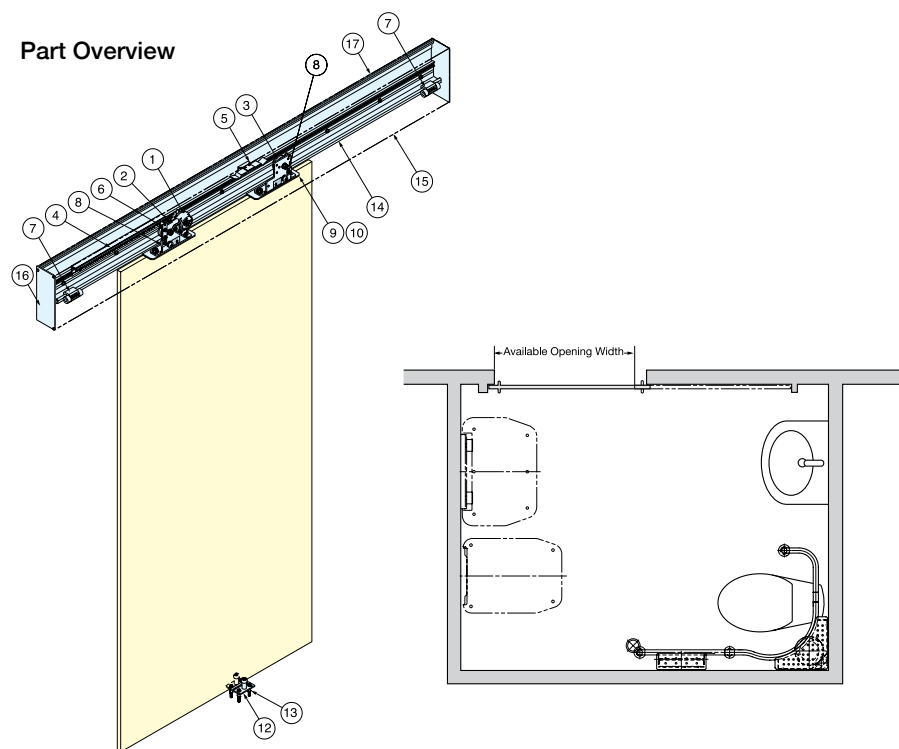
# SELF CLOSING SLIDING DOOR SYSTEM

LM-80

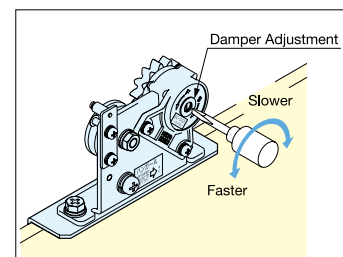


Item No.	LM-80
Door Width	27-9/16" ~ 47-1/4" (700 ~ 1200 mm)
Door Thickness	1/2" (13 mm) or 1-1/8" ~ 1-9/16" (28 ~ 40 mm)
Door Weight	66 ~ 176 lbs (30 ~ 80 kg)/door
Door Travel	Max. 43-5/16" (1100 mm) in case of door width 47-1/4" (1200 mm)

- Self-closing sliding door system.
- Equipped with damper for smooth and soft-closing, eliminating door slamming.
- Dampening speed adjustable for best soft-closing.
- Wall surface mount type for easy installation.
- No bottom rail needed for clean appearance.
- Door opens lightly for easy operation.
- Door catch included to hold door in fully open position.
- Designed for 1/2" (13 mm) solid phenolic panel or 1-1/8"~1-9/16" (28 ~ 40 mm) thick wood doors.
- Non-handed.
- Glass door system available.

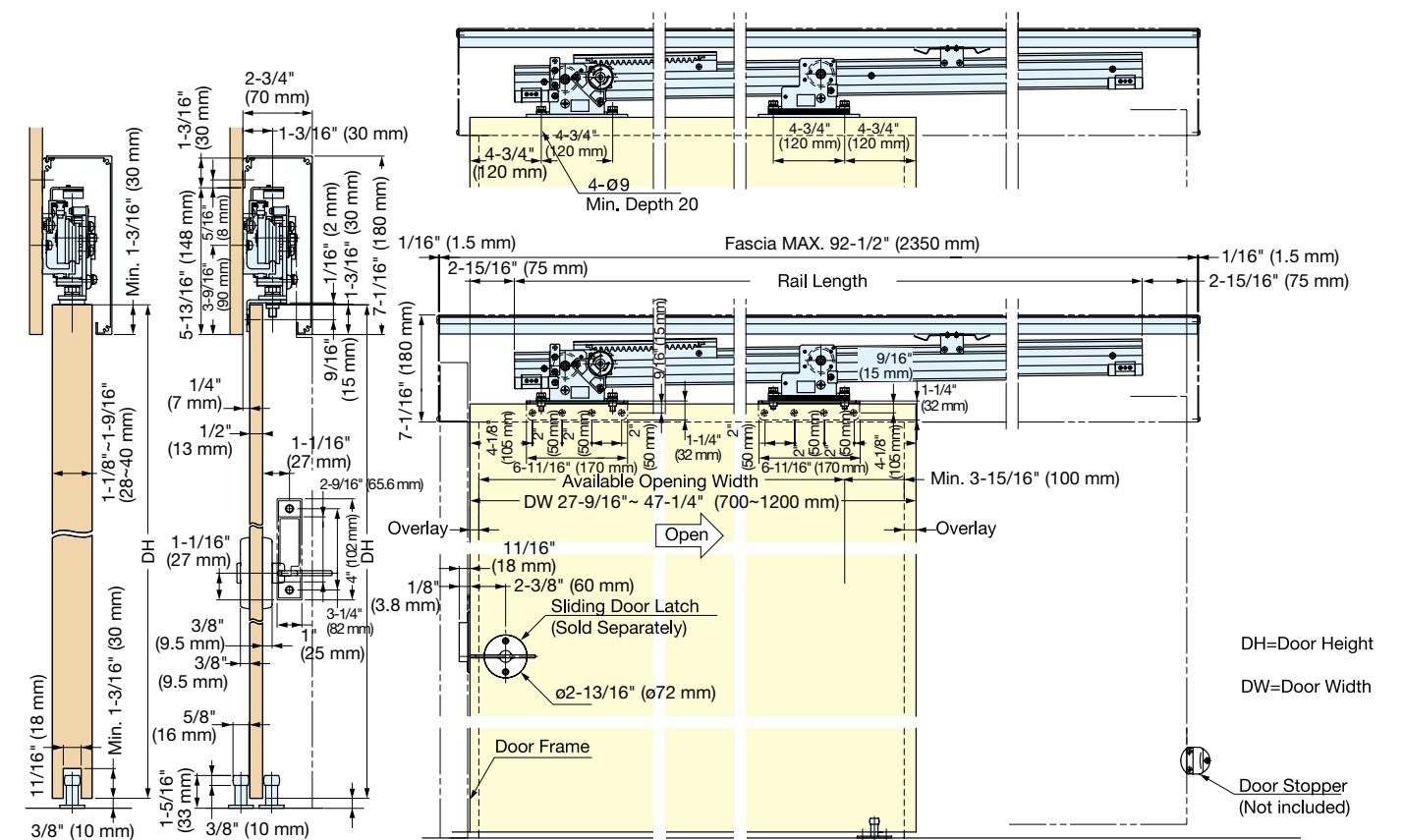


Roller Brackets for solid phenolic panel and wood door included.



Closing speed adjustable by turning adjustment screw on damper.

## TRACK MOUNTING OPTIONS



### Part Details

No.	①	②	③	④	⑤	⑥	⑦
Name	Damper	Roller A	Roller B	Gear Rack	Spring	Stopper Roller	Door Stopper
Qty. / Set	1 pc	1 pc	1 pc	1 pc	1 pc	1 pc	2 pcs
No.	⑧	⑨	⑩	⑪	⑫	⑬	⑭
Name	Stopper Plate	Height Adjustment Spacer	Roller Bracket (For Solid Phenolic)	Roller Bracket (For Wood)	Bottom Roller Guide	Anchor	Roller Rail (2200 mm)
Qty. / Set	2 pcs	t1:15 pcs, t0.5:1 pc	2 pcs	2 pcs	2 pcs	4 pcs	1 pc
No.	⑮	⑯	⑰	No.		Option	
Name	Fascia (2350 mm)	Side Cover	Mounting Plate (For Fascia) (2350 mm)	Name	Latch w/indicator		
Qty. / Set	1 pc	1 pc ea. (Left & Right)	1 pc	Item No.	ET-125T		
				Qty. / Set	1 pc		

LATERAL OPENING DOOR SYSTEM

LIN-X 1000



LIN-X1000



Door Width	29-1/2" ~ 43-5/16" (750 ~ 1100 mm)
Max. Door Height	117-5/16" (2980 mm)
Door Thickness	15/16" ~ 1-9/16" (24 ~ 40 mm)
Max. Door Weight	198 lbs (90 kg/door)

Item No.	Overlay	Material	Finish
LIN-X1000/WT-S	3/4" (19 mm)	Steel, Aluminum	White
LIN-X1000/BL-S			Black

**FULL SIZE DOORS LIN-X1000**

- Lateral Opening Mechanism: Allows doors to swing out laterally in a small radius, ideal for tight front space application.
- Heavy Duty: Max. weight 198 lbs.(90 kg).
- 4-Way Adjustable: Vertical, horizontal, depth and parallel adjustment.
- Smooth Movement: Built-in dampers provide a smooth soft-closing movement.
- Use in various applications: Ideal for closet entryways, large pantry doors, storage, hidden rooms, etc.
- Hardware is non-handed: can be used for left-opening or right-opening doors.
- Designed for overlay installation, but can be installed flush with the surrounding cabinet or wall. Please contact customer service for details on inset installations.



LATERAL OPENING DOOR SYSTEM

LIN-X1000

No.	Qty	Dimensions	Description
1	1 pc		Material: Aluminum Alloy Finish: White/Black Powder Coated
2	1 pc		Material: Aluminum Alloy Finish: White/Black Powder Coated
3	4 pcs		Material: ABS Finish: White/Black
4	4 pcs		Material: ABS Finish: White/Black
5	1 pc		Material: PBT Finish: White/Black
6	1 pc		Material: Aluminum Alloy Finish: White Anodized/Black Anodized

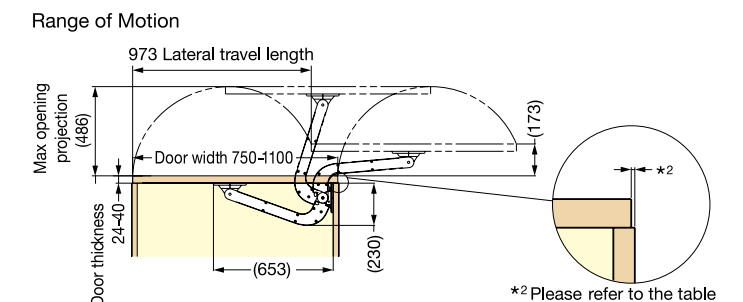
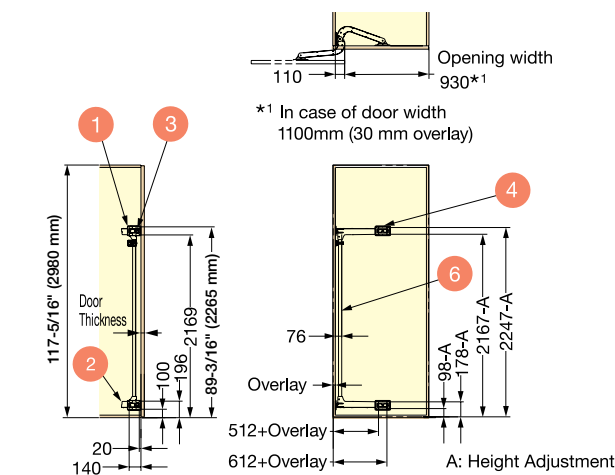


Table 1: Handle position area (for door thickness 40 mm)

Hinge side clearance	10 mm	15 mm	20 mm
Door width			
750 mm - 900 mm	Max. 300 mm	Max. 350 mm	Max. 500 mm
900 mm - 1000 mm	Max. 200 mm	Max. 250 mm	Max. 400 mm
1000 mm - 1100 mm	Max. 100 mm	Max. 150 mm	Max. 300 mm

Table 2: Please follow Height Adjustment (A) based on the following table so that the door will not contact the floor.

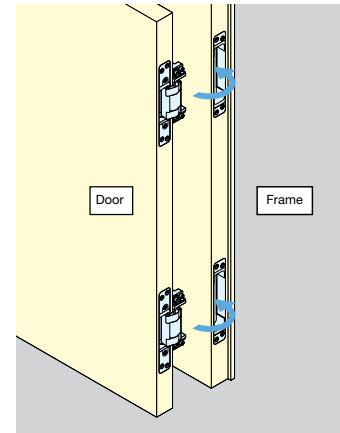
Door weight	Height Adjustment
44 lbs (20 kg)	2.0 mm
66.1 lbs (30 kg)	3.5 mm
88.2 lbs (40 kg)	5.0 mm
110.2 lbs (50 kg)	6.5 mm
132.2 lbs (60 kg)	8.0 mm
154.3 lbs (70 kg)	9.5 mm
176.3 lbs (80 kg)	11.0 mm
198.4 lbs (90 kg)	12.5 mm

# Concealed Hinges

## HES3D Series

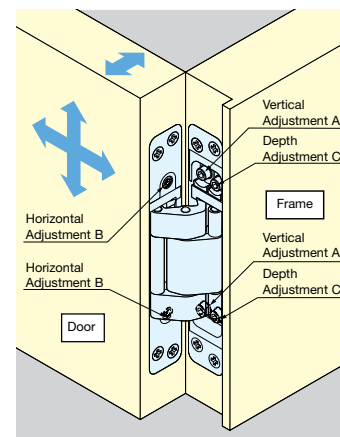
### EASY INSTALLATION

Here's why, Sugatsune's HES3D series hinges incorporate a feature that allow the hinge leaves to separate. One leaf is installed in the door frame, while the other is installed into the door itself. You can then install and adjust the door at any time.



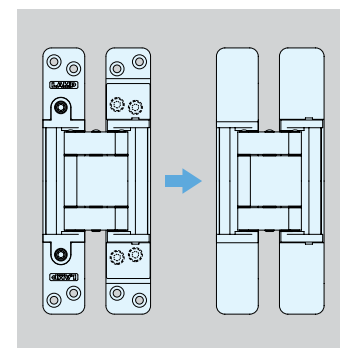
### 3-WAY ADJUSTABLE FEATURE

HES3D series hinges have vertical, horizontal, and depth adjustment features, so if your door isn't perfectly aligned on the first try, this feature allows adjustments in each direction.



### OVERALL LOOK

HES3D series hinges feature squared shape and round corners, comes with cover caps to hide all screws on the face of the hinge, so when your hinge is installed, it has a clean, sleek appearance.



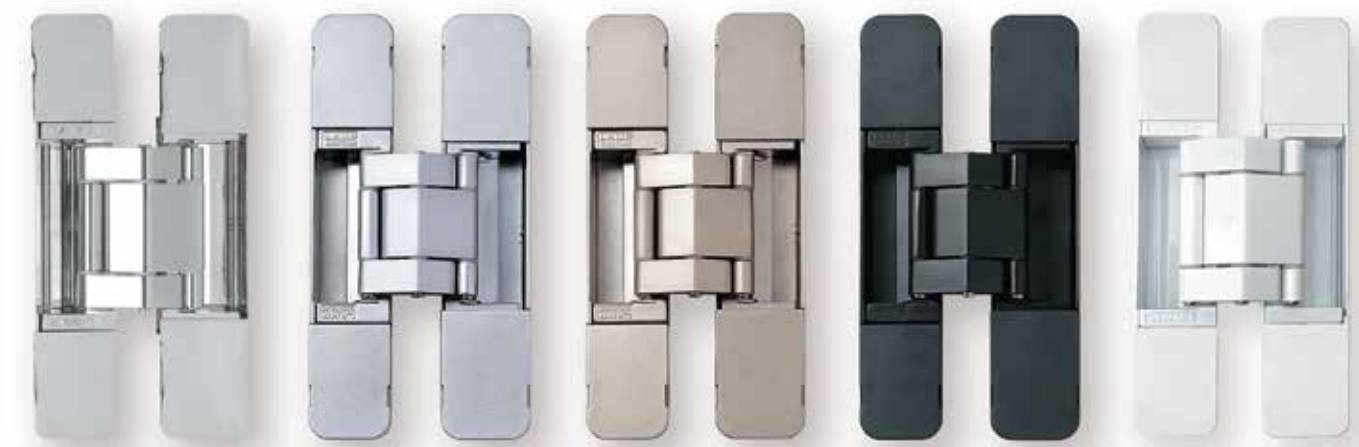
### UL® LISTED

HES3D-E190 and HES3D-W190 are UL® Listed with **3 HOUR FIRE RATING.**

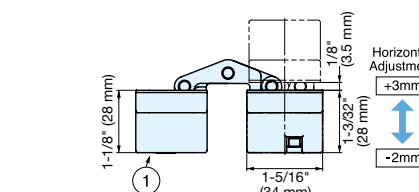
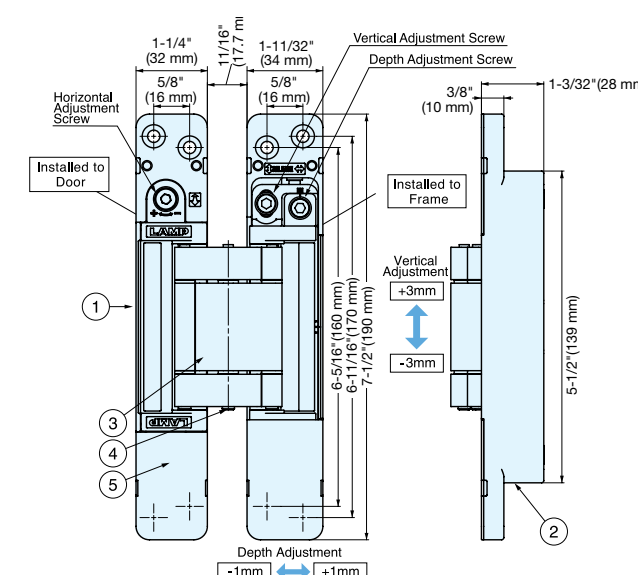
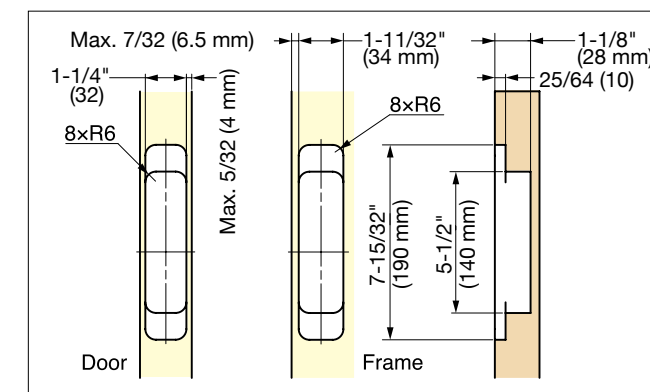
### 3-WAY ADJUSTABLE CONCEALED HINGE



### HES3D-E190



HES3D-E190PN-UL    HES3D-E190DC-UL    HES3D-E190DN-UL    HES3D-E190BL-UL    HES3D-E190WT-UL



- 3-WAY adjustment function allows vertical, horizontal, and depth adjustment after hinge installed.
- Easy installation with Lift-off feature: can be split into two parts (one for the frame and one for the flap), can temporarily be hung and hold position without being affixed with screws.
- Successfully passed 300,000 open/close private cycle tests.
- Supplied with steel flat head screw.
- Door Thickness: Min. 1-1/2" (38 mm).
- Door Weight: Max. 220 lbs (100 kg) /2 pcs, Max. 275 lbs (100 kg) /3 pcs.
- Door Size: Max. H 94-1/2" (2400 mm) Max. W 35-7/16" (900 mm)
- Bracket for sheet metal doors/frames available, sold separately (HES3D-E190BKT-F).
- **UL® Listed with 3 hour fire rating.**



No.	Part Name	Material	Finish/Color
1	Body	Zinc Alloy	Polished Nickel (PN) Dull Chrome (DC) Dull Nickel (DN)
2	Base Frame	Zinc Alloy	Matte Black (BL) White (WT)
3	Arm	Aluminum Alloy	
4	Cover	ABS	
5	Pin	304 Stainless Steel	-

Item No.	Weight (g)	Box (pcs)	Carton (pcs)
HES3D-E190PN-UL	1050	2	12
HES3D-E190DC-UL			
HES3D-E190DN-UL			
HES3D-E190BL-UL			
HES3D-E190WT-UL			



# 3-WAY ADJUSTABLE CONCEALED HINGE

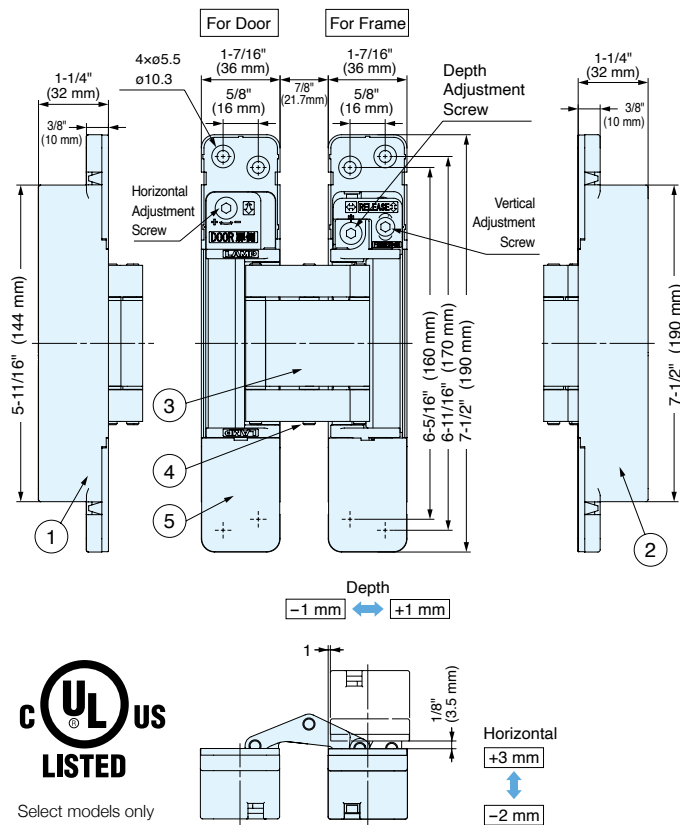
For Door Moldings



# HES3D-W190



HES3D-W190DC-UL    HES3D-W190DN-UL    HES3D-W190BL-UL    HES3D-W190WT    HES3D-W190PN\*    HES3D-W190PB



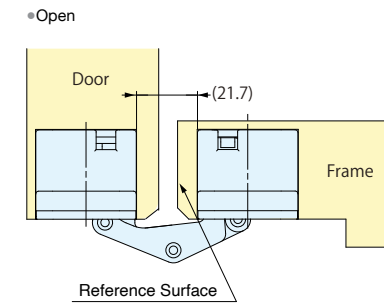
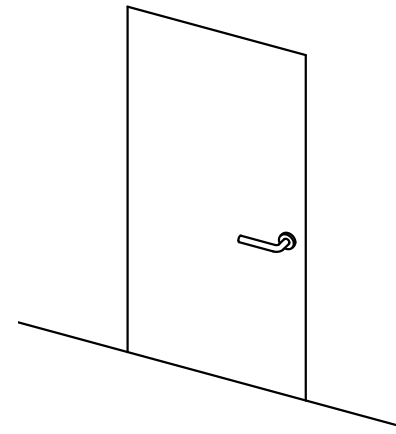
Select models only

- Has a long arm for a wider throw, allowing 3/8" (10 mm) clearance for flush installation or 1/2" (13 mm) clearance for installation with a molding. Opens to 180°.
- Features 3-way adjustability (vertical, horizontal and depth).
- Flanges come apart for the door to be provisionally hung for making adjustments. This provides a quick and easy installation when ready for fixing screws.
- Replacement screw covers available for all finishes.
- \*Only the HES3D-W190PN model includes metal cover plates, all other models include plastic cover plates.
- Supplied with steel flat head screw.
- Door Thickness: Min. 1-1/2" (38 mm).
- Door Weight: Max. 220 lbs (100 kg) /2 pcs, Max. 275 lbs (125 kg) /3 pcs.
- Door Size: Max. H 96-1/6" (2440 mm) Max. W 36" (915 mm)
- UL® Listed with 3 hour fire rating (DC, DN, and BL models only).

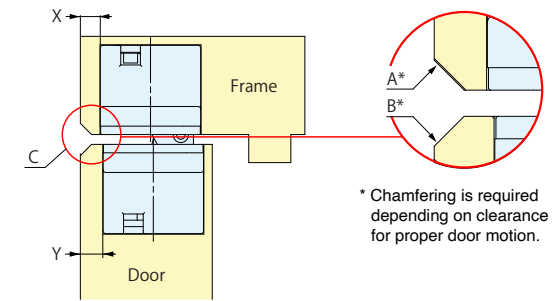
No.	Part Name	Material	Finish/Color					
			DC	DN	BL	PN	WT	PB
1	Body	Zinc Alloy (ZDC)						
2	Base Frame		Satin	Nickel	Enamel Black	Nickel	Enamel White	Brass
3	Arm	Aluminium Alloy						
4	Shaft	Stainless Steel	Plain	Plain	Plain	Plain	Plain	Plain
5	Screw Cover	ABS or Stainless Steel*	Silver	Dull Nickel	Black	Nickel	White	Brass

Item Name	Finish	Opening Angle	Weight (g)	Box (pcs)	Carton (pcs)
HES3D-W190DC-UL	Dull Chrome	180°	1231	2	12
HES3D-W190DN-UL	Dull Nickel			2	12
HES3D-W190BL-UL	Black			2	12
HES3D-W190PN	Polished Nickel			2	12
HES3D-W190WT	White			2	12
HES3D-W190PB	Polished Brass			2	12

## Flush Installation



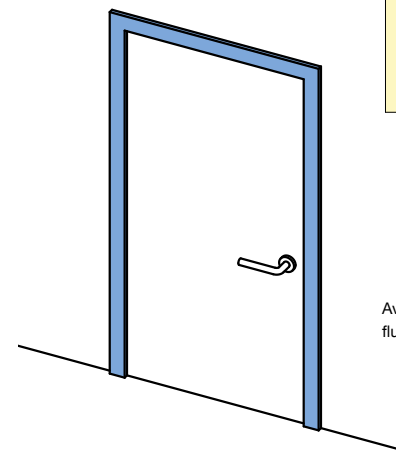
• Closed



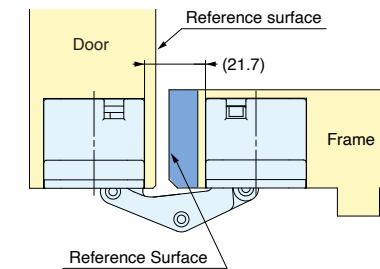
\* Chamfering is required depending on clearance for proper door motion.

Y	B	X	A
Door Clearance 4 and under	Door Chamfering 0	Frame Clearance 3 and under	Frame Chamfering 0
5	1	4	1
6	2	5	2
7	3	6	3
8	4	7	4
9	6	8	6

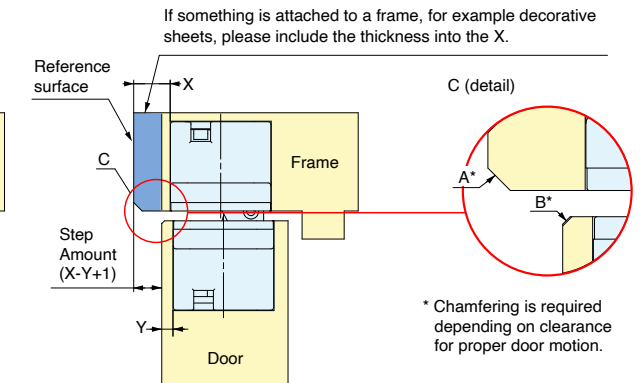
## Installation with Molding



• Open



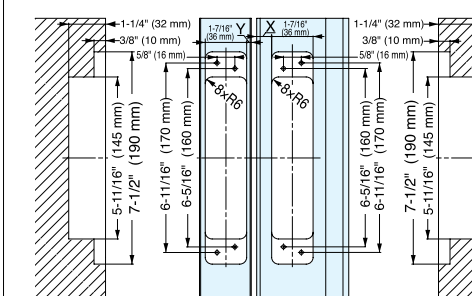
• Closed



\* Chamfering is required depending on clearance for proper door motion.

Available on doors which are not aligned flush to the wall or frame.

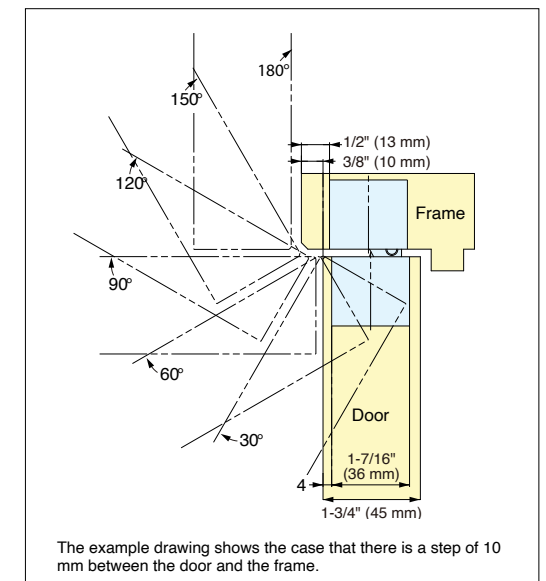
## Cut Out Dimension



Please drill prepared holes for the tapping screws if the optional jig (HES3D-W190-TMP) is not used.



WATCH INTRO



The example drawing shows the case that there is a step of 10 mm between the door and the frame.

### 3-WAY ADJUSTABLE CONCEALED HINGE

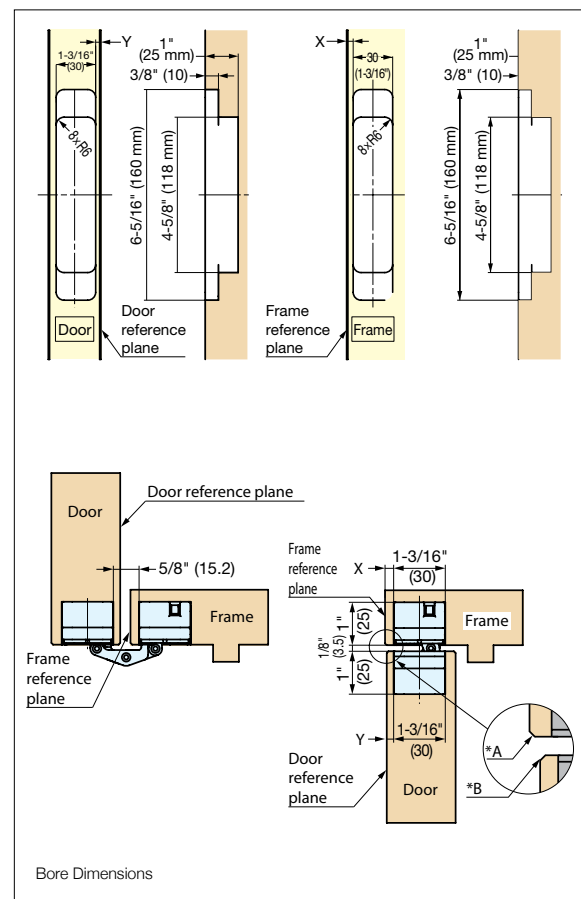
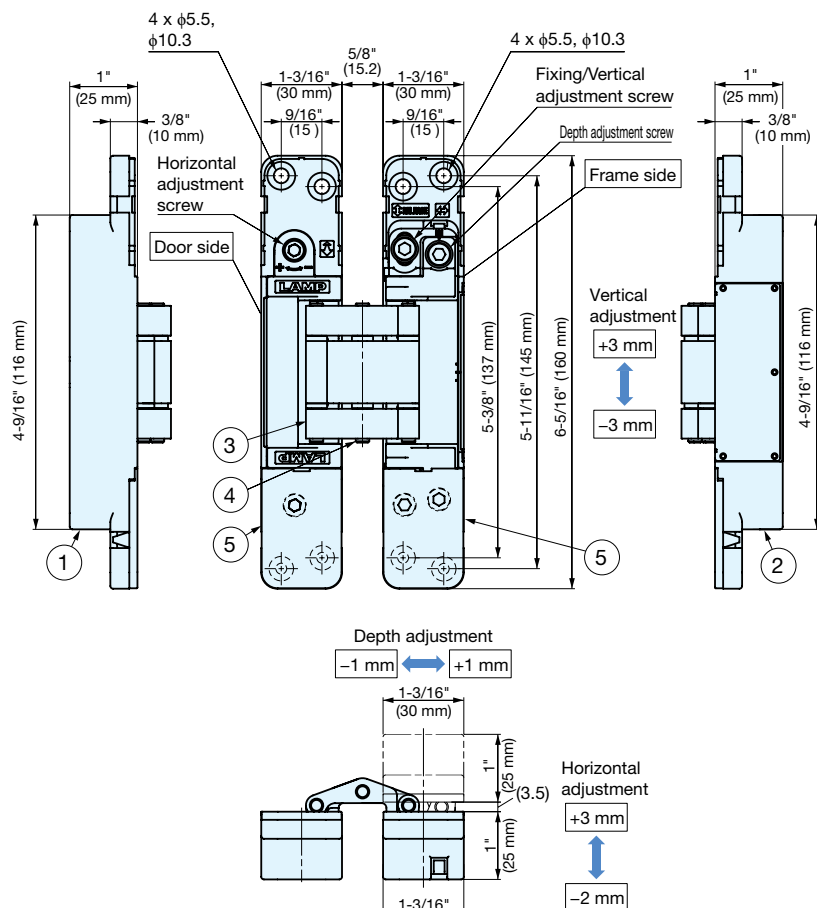


### HES3D-E160



HES3D-E160DC HES3D-E160DN HES3D-E160BL

- 3-WAY adjustment function allows vertical, horizontal, and depth adjustment after hinge installed.
- Easy installation and adjustment.
- Successfully passed 300,000 open/close private cycle tests.
- Supplied with steel flat head screw.
- Covers hide all screw heads for clean appearance.
- Door weight: Max. 121 lbs (55 kg)/2pcs; 154 lbs (70 kg)/3pcs.
- Door thickness: Min. 1-3/8" (35 mm).
- Max. door size: H 94-1/2" x W 35-7/16" (H 2400 mm x W 900 mm).



No.	Part Name	Material	Finish/Color
1	Body	Zinc Alloy	Dull Chrome (DC), Dull Nickel (DN), Black (BL)
2	Base Frame		
3	Arm	Aluminum	-
4	Pin	304 Stainless Steel	-
5	Cover	ABS	Dull Chrome (DC), Dull Nickel (DN), Black (BL)

Item No.	Finish/Color	Weight (g)	Box (pcs)	Carton (pcs)
HES3D-E160DC	Dull Chrome	760	2	12
HES3D-E160DN	Dull Nickel			
HES3D-E160BL	Black			

### 3-WAY ADJUSTABLE CONCEALED HINGE

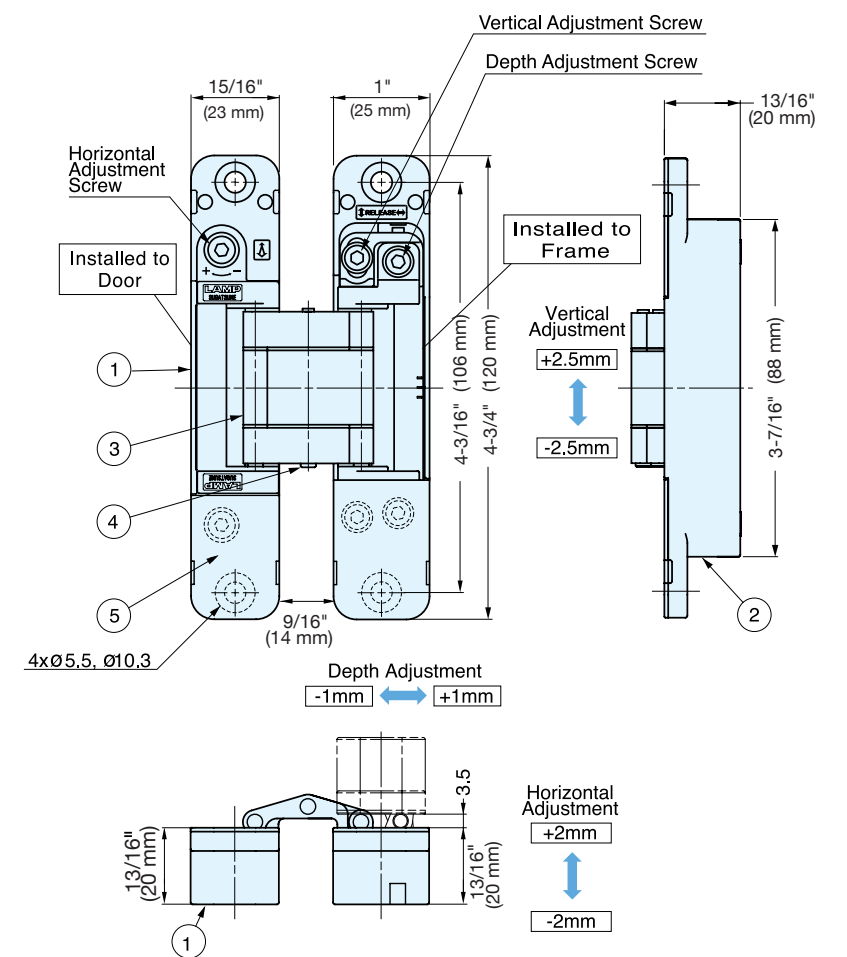
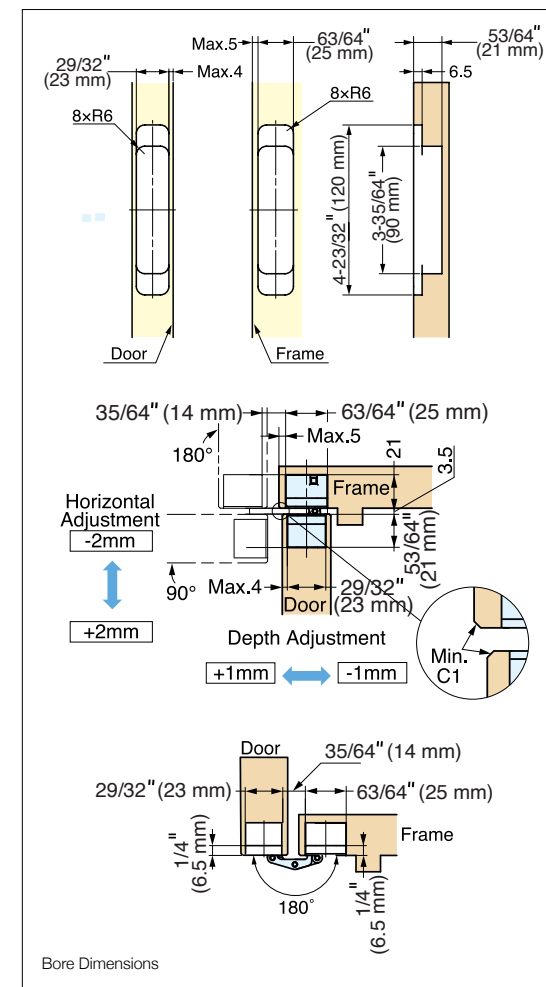


### HES3D-120



HES3D-120DC HES3D-120DN HES3D-120BL

- 3-WAY adjustment function allows vertical, horizontal, and depth adjustment after hinge installed.
- Easy installation and adjustment.
- Successfully passed 300,000 open/close private cycle tests.
- Supplied with steel flat head screw.
- Covers hide all screw heads for clean appearance.
- Door weight: Max. 66 lbs (30 kg)/2 pcs; 88 lbs (40 kg)/3 pcs.
- Door Thickness: Min. 1-1/8" (29 mm).
- Max. Door Size: H 94-1/2" x W 35-7/16" (H 2400 mm x W 900 mm).
- Bracket for sheet metal available (HES3D-120BKT).



Item No.	Finish/Color	Weight (g)	Box (pcs)	Carton (pcs)
HES3D-120DC	Dull Chrome	380	2	24
HES3D-120DN	Dull Nickel			
HES3D-120BL	Black			

No.	Part Name	Material	Finish/Color
①	Body	Zinc Alloy	Dull Chrome (DC) Dull Nickel (DN) Black (BL)
②	Base Frame		
③	Arm	Aluminum	-
④	Pin	304 Stainless Steel	-
⑤	Cover	ABS	Dull Chrome (DC) Dull Nickel (DN) Black (BL)

## STAINLESS STEEL LIFT-OFF HINGE

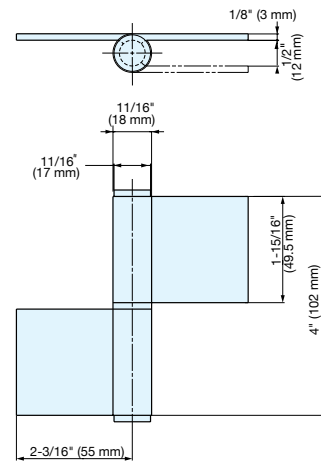


S-6166-2



Right

- Weld-on type stainless steel lift-off hinge.
- Left and Right handed available.
- Door weight:  
Max. 88 lbs (40 kg)/pair.



Item No.		Weight (g)	Box (pcs)	Carton (pcs)	Material	Finish
Left	Right					
S-6166-2-L	S-6166-2-R	300	12	60	304 Stainless Steel	Satin



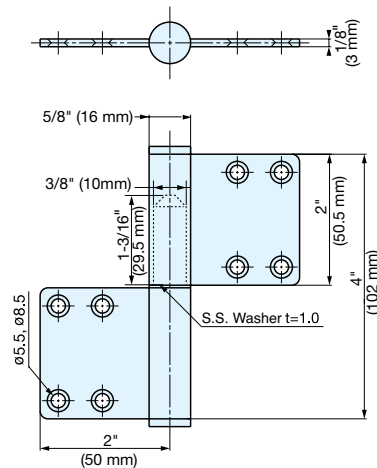
## STAINLESS STEEL LIFT-OFF HINGE



S-6173-2



- Screw hole is countersunk from both sides.
- Non-handed.
- Door weight:  
Max. 88 lbs (40 kg)/pair.



Item No.	Weight (g)	Box (pcs)	Carton (pcs)	Material	Finish
S-6173-2	240	12	60	304 Stainless Steel	Satin

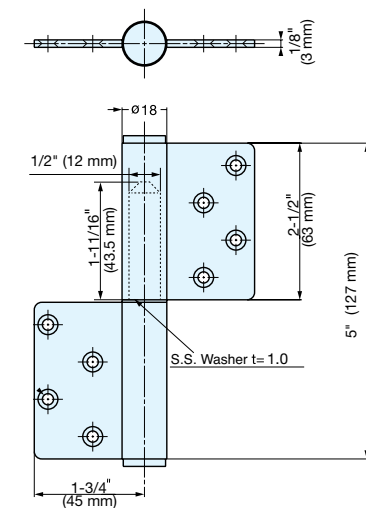
## STAINLESS STEEL LIFT-OFF HINGE



S-6173-5



- Screw hole is countersunk from both sides.
- Non-handed.
- Door weight:  
Max. 110 lbs (50 kg)/pair.



Item No.	Weight (g)	Box (pcs)	Carton (pcs)	Material	Finish
S-6173-5	330	8	40	304 Stainless Steel	Satin

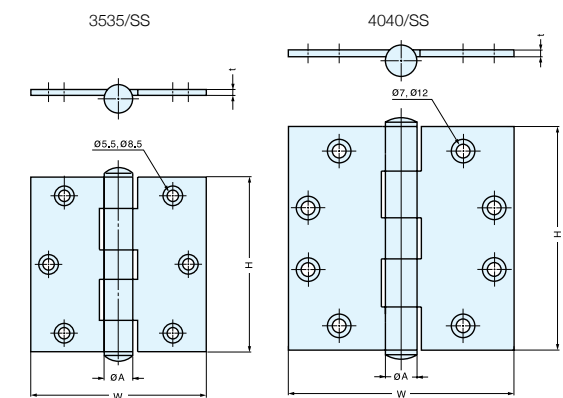
## STAINLESS STEEL BUTT HINGE



3535/SS, 4040/SS



- Tamper proof.
- Door weight:  
3535/SS Max. 55 lbs (25 kg)/pair.  
4040/SS Max. 88 lbs (40 kg)/pair.



Material	Finish
304 Stainless Steel	Satin

Item No.	H	W	A	t	Weight (g)	Box (pcs)	Carton (pcs)
3535/SS	3-1/2" (89)	3-1/2" (89)	35/64" (14.0)	1/8" (3.0)	145	2	100
4040/SS	4" (101.6)	4" (101.6)	37/64" (14.8)	9/64" (3.4)	195		50

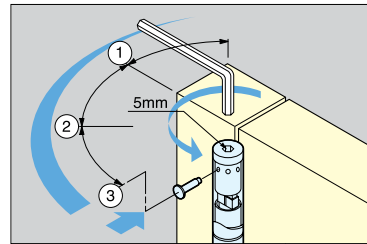
SPRING HINGES



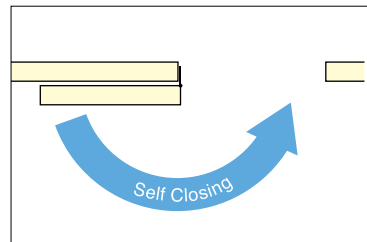
JSA

- Spring loaded for self closing.
- Adjustable spring tension.
- Available in 4 sizes/load capacities.
- Available in stainless steel and aluminum.
- Successfully passed 500,000 open/close private cycle tests.

Adjustable Spring Tension



Self Closing



JSA-120A



JSA-180S

Item No.	Material	Finish
JSA-120A	Aluminum	Anodized
JSA-180A		
JSA-120S	304 Stainless Steel	Satin
JSA-180S		

Item No.	Load Capacity		Weight (g)	Box (pcs)	Carton (pcs)
	2 Hinges	3 Hinges			
JSA-120A	44 lbs (20 kg)	66 lbs (30 kg)	175	2	20
JSA-180A	88 lbs (40 kg)	132 lbs (60 kg)	260		
JSA-120S	44 lbs (20 kg)	66 lbs (30 kg)	303		
JSA-180S	88 lbs (40 kg)	132 lbs (60 kg)	526		



JDA

DOUBLE ACTION SPRING HINGE

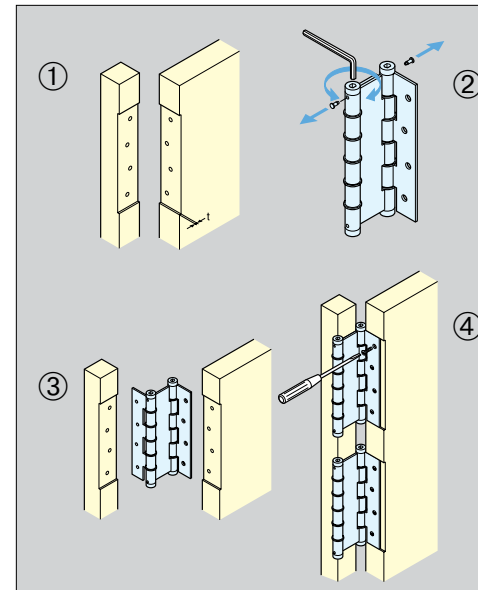
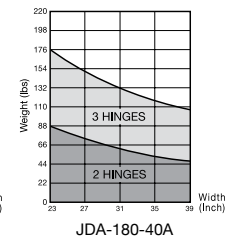
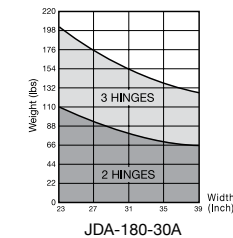
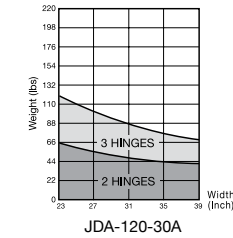


JDA-120-30A

JDA-180-38S



- Spring loaded for self-closing.
- Adjustable spring tension.
- Available in 7 sizes and 2 materials.
- For 2-way swinging doors.
- Successfully passed 500,000 open/close private cycle tests.



Item No.	Max. Door Thickness	Weight (g)	Material	Finish	Box (pcs)	Carton (pcs)
JDA-120-30A	1-3/16" (30 mm)	275	Aluminum	Anodized	2	20
JDA-120-40A	1-9/16" (40 mm)	320				
JDA-180-30A	1-3/16" (30 mm)	407				
JDA-180-40A	1-9/16" (40 mm)	466				
JDA-120-50A	1-31/32" (50 mm)	510	304 Stainless Steel	Satin		
JDA-120-36S	1-13/32" (36 mm)	555				
JDA-180-38S	1-1/2" (38 mm)	947				

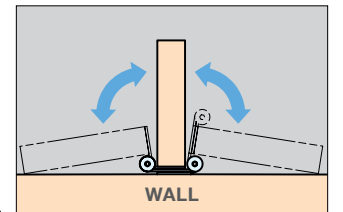
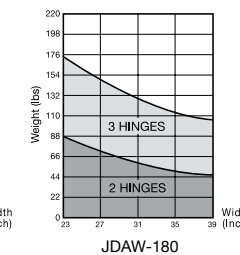
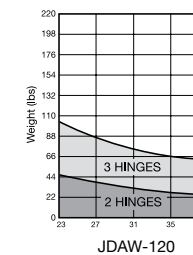
DOUBLE ACTION SPRING HINGE Wall Mount



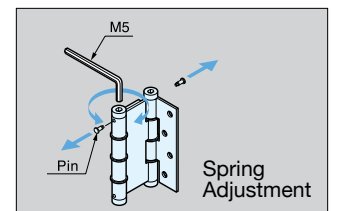
JDAW



- Spring loaded/self closing.
- Adjustable spring tension.
- Available in 2 sizes/strengths.
- Requires 8 #8 flathead countersunk screws, 3/4" or longer. (not included)



Item No.	Door Thickness	Weight (g)	Box (pcs)	Carton (pcs)	Material	Finish
JDAW-120-35A	1-3/8" (35 mm)	350	2	20	Aluminum	Anodized
JDAW-180-35A						





# Pure Elegance

Similar to that of a fine handcrafted timepiece, precision is at the heart of the process to blend its gentle edges with an immaculate finish.

A process that requires the expertise of a jeweler. With its intricate design details bestowed upon marine grade stainless steel, Zweil L® delivers a simple, natural beauty that compliments a variety of luxurious environments.

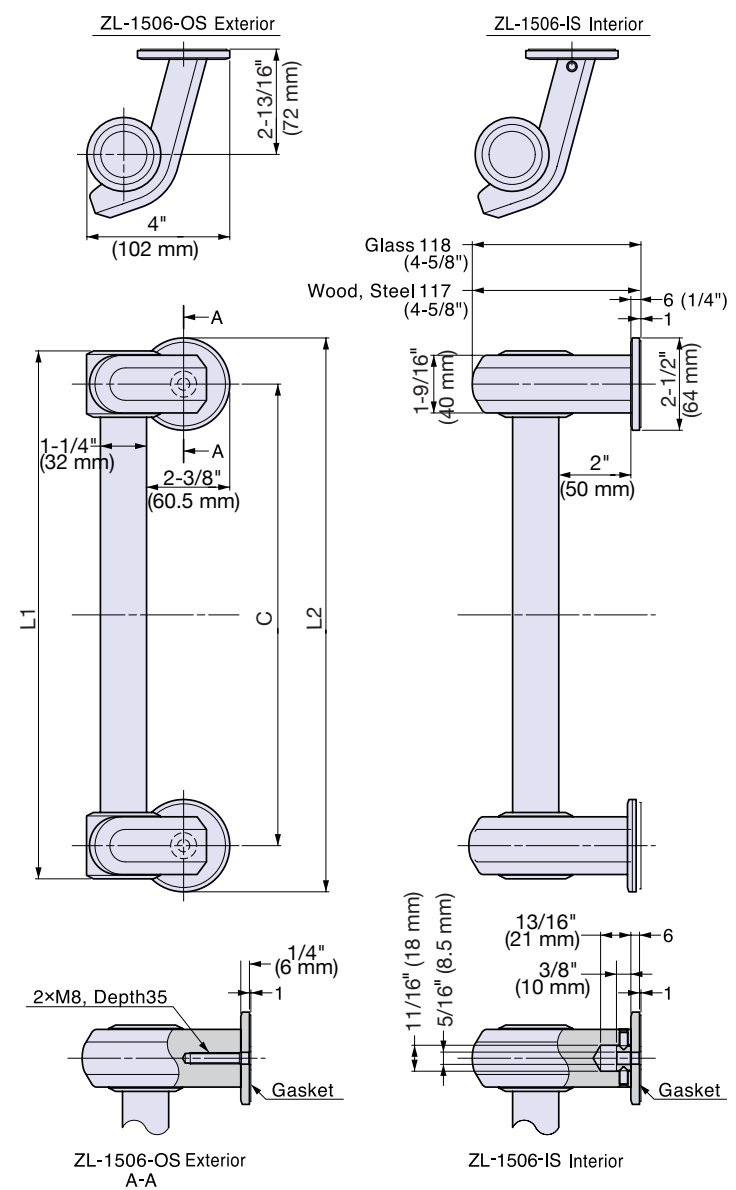
**Zweil L®**  
by Sugatsune

## Zweil L® PREMIUM DOOR HANDLE



ZL-1506

- Can be installed on Glass Door, Wooden or Metal Frame Door.
- Tolerance of screw pitch is ± 1 mm.
- Base Plate included.

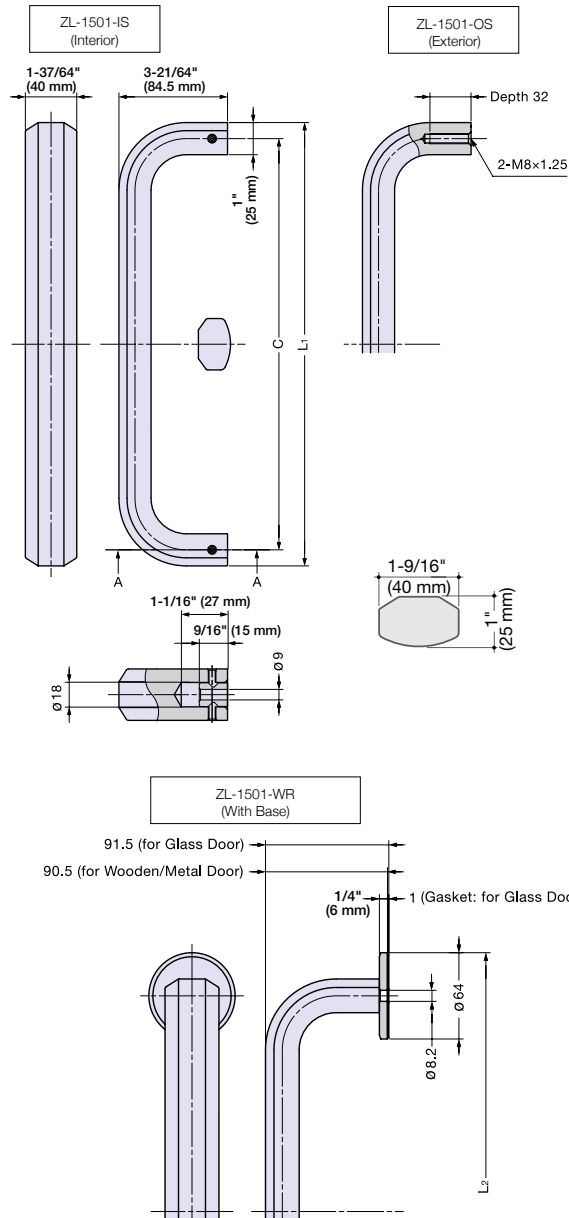


Item No.		Material	Finish/Color	L1	L2	C
Exterior	Interior					
ZL-1506-OS-192	ZL-1506-IS-192	316 Stainless Steel	Zweil L	9-5/16" (237)	10-1/16" (256)	7-9/16" (192)
ZL-1506-OS-320	ZL-1506-IS-320			4-3/8" (365)	15-1/8" (384)	12-5/8" (320)
ZL-1506-OS-640	ZL-1506-IS-640			27" (685)	27-3/4" (704)	25-3/8" (640)
ZL-1506-OS-960	ZL-1506-IS-960			39-9/16" (1005)	40-5/16" (1024)	37-13/16" (960)

Zweil L® PREMIUM DOOR HANDLE



- Can be installed on Glass Door, Wooden or Metal Frame Door.
- Tolerance of screw pitch is ± 1 mm.
- Order base ZL1501-R separately if baseplate is needed for exterior/interior.



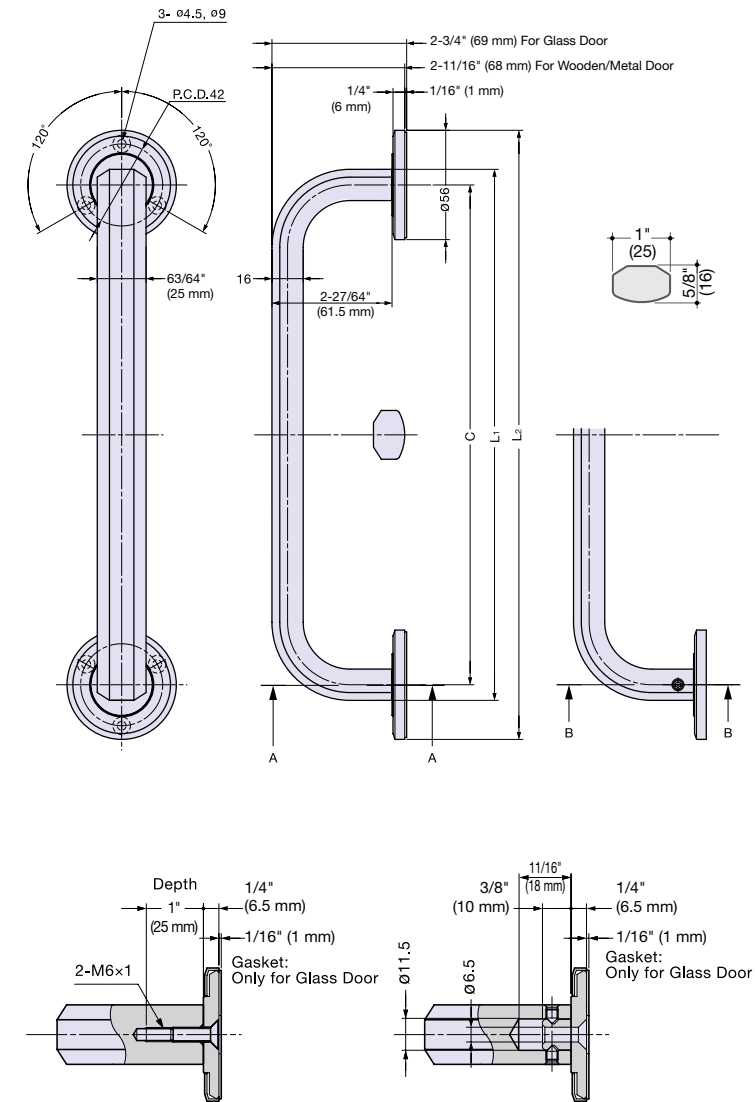
Item No.				Material	Finish	Dimensions		
Exterior	Interior	Back-to-Back	Back-to-Back with Base			C	L <sub>1</sub>	L <sub>2</sub>
ZL-1501-OS-320	ZL-1501-IS-320	ZL-1501-WN-320	ZL-1501-WR-320	316 Stainless Steel	Zweil L	12-19/32" (320)	13-37/64" (345)	15-1/16" (384)
ZL-1501-OS-640	ZL-1501-IS-640	ZL-1501-WN-640	ZL-1501-WR-640			25-13/64" (640)	26-3/16" (665)	27-3/4" (704)
ZL-1501-OS-960	ZL-1501-IS-960	ZL-1501-WN-960	ZL-1501-WR-960			37-51/64" (960)	38-25/32" (985)	40-5/16" (1024)
*ZL-1501-OS-1280	*ZL-1501-IS-1280	*ZL-1501-WN-1280	*ZL-1501-WR-1280			50-25/64" (1280)	51-3/8" (1305)	52-15/16" (1344)
*ZL-1501-OS-1600	*ZL-1501-IS-1600	*ZL-1501-WN-1600	*ZL-1501-WR-1600			62-63/64" (1600)	63-31/32" (1625)	65-1/2" (1664)
*ZL-1501-OS-1920	*ZL-1501-IS-1920	*ZL-1501-WN-1920	*ZL-1501-WR-1920			75-19/32" (1920)	76-37/64" (1945)	78-1/8" (1984)

\*Length over 960 are special order item.

Zweil L® PREMIUM DOOR HANDLE



- Can be installed on Glass Door, Wooden or Metal Frame Door.
- Tolerance of screw pitch is ± 1 mm.
- Base Plate included.

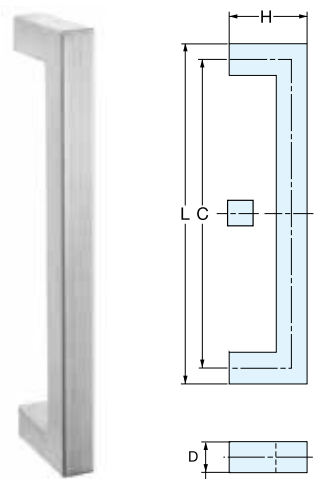


Item No.			Material	Finish	Dimensions		
Exterior	Interior	Back-to-Back			C	L <sub>1</sub>	L <sub>2</sub>
ZL-1502-OS-192	ZL-1502-IS-192	ZL-1502-WR-192	316 Stainless Steel	Zweil L	7-9/16" (192)	8-3/16" (208)	9-3/4" (248)
ZL-1502-OS-320	ZL-1502-IS-320	ZL-1502-WR-320			12-19/32" (320)	13-15/64" (336)	14-13/16" (376)
ZL-1502-OS-640	ZL-1502-IS-640	ZL-1502-WR-640			25-13/64" (640)	25-53/64" (656)	27-3/8" (696)
ZL-1502-OS-960	ZL-1502-IS-960	ZL-1502-WR-960			37-51/64" (960)	38-27/64" (976)	40" (1016)

## STAINLESS STEEL DOOR HANDLES



### DSI-4400



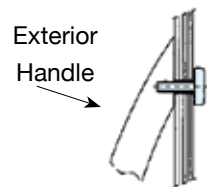
- For use with DSI mounting kits.
- Please specify Interior/Exterior type when ordering:  
 Posts for Exterior handles are threaded to accept screws.  
 Posts for Interior handles have set screws for DSI mounting kits.

Item No.		D	L	C	H	Box (pcs)	Carton (pcs)
Interior	Exterior						
DSI-4400-15-15I	DSI-4400-15-15E	15	6-1/2" (165)	5-29/32" (150)	2-3/16" (55)	1	10
DSI-4400-15-20I	DSI-4400-15-20E		8-1/2" (215)	7-7/8" (200)			
DSI-4400-15-30I	DSI-4400-15-30E		12-3/8" (315)	11-13/16" (300)			
DSI-4400-20-20I	DSI-4400-20-20E	20	8-11/16" (220)	7-7/8" (200)	2-9/16" (65)		
DSI-4400-20-25I	DSI-4400-20-25E		10-5/8" (270)	9-27/32" (250)			
DSI-4400-20-30I	DSI-4400-20-30E		12-5/8" (320)	11-13/16" (300)			
DSI-4400-30-25I	DSI-4400-30-25E	30	11" (280)	9-27/32" (250)	3-9/16" (90)		
DSI-4400-30-30I	DSI-4400-30-30E		12" (330)	11-13/16" (300)			
DSI-4400-30-35I	DSI-4400-30-35E		14-15/16" (380)	13-25/32" (350)			
DSI-4400-30-60I	DSI-4400-30-60E		24-13/16" (630)	23-5/8" (600)			

Material	Finish
304 Stainless Steel	Satin

## MOUNTING KITS FOR DSI SERIES DOOR HANDLES

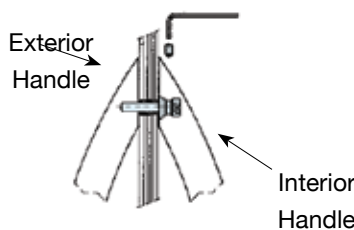
### Single handle installation kit for wood/glass/metal doors



Max. Door Thickness:  
 DSI-1630-30: 100 mm (4")  
 DSI-2000-20: 80 mm (3-3/16")  
 DSI-2000-30: 80 mm (3-3/16")  
 DSI-3310-15: 60 mm (2-3/8")  
 DSI-3310-20: 60 mm (2-3/8")  
 DSI-3310-30: 60 mm (2-3/8")  
 DSI-3330-30: 100 mm (4")  
 DSI-4400-15: 60 mm (2-3/8")  
 DSI-4400-20: 60 mm (2-3/8")  
 DSI-4400-30: 60 mm (2-3/8")

Item No.	For use with
DKIT-2/15-1	DSI-3310-15
DKIT-2/15-2	DSI-4400-15
DKIT-2/20-1	DSI-2000-20/DSI-3310-20
DKIT-2/20-2	DSI-4400-20
DKIT-2/30-1	DSI-1630-30/DSI-2000-30 DSI-3310-30/DSI-3330-30
DKIT-2/30-2	DSI-4400-30

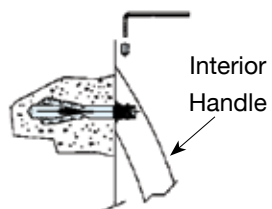
### Back-to-back handle installation kit for wood/glass/metal doors



Max. Door Thickness:  
 DSI-1630-30: 90 mm (3-1/2")  
 DSI-2000-20: 100 mm (4")  
 DSI-2000-30: 45 mm (1-3/4")  
 DSI-3310-15: 100 mm (4")  
 DSI-3310-20: 100 mm (4")  
 DSI-3310-30: 100 mm (4")  
 DSI-3330-30: 100 mm (4")  
 DSI-4400-15: 100 mm (4")  
 DSI-4400-20: 100 mm (4")  
 DSI-4400-30: 100 mm (4")

Item No.	For use with
DKIT-4/15-1	DSI-3310-15
DKIT-4/15-2	DSI-4400-15
DKIT-4/20-1	DSI-2000-20/DSI-3310-20
DKIT-4/20-2	DSI-4400-20
DKIT-4/30-1	DSI-1630-30/DSI-2000-30 DSI-3310-30/DSI-3330-30
DKIT-4/30-2	DSI-4400-30

### Single handle installation for concrete walls

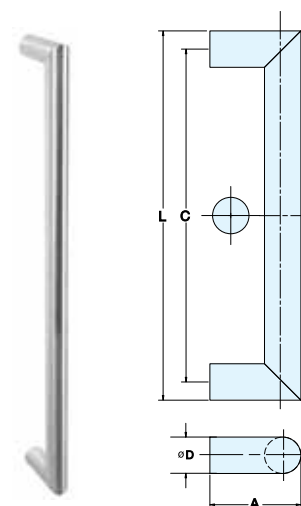


Item No.	For use with
DKIT-5/15	DSI-3310-15/DSI-4400-15
DKIT-5/20	DSI-2000-20/DSI-3310-20 DSI-4400-20
DKIT-5/30	DSI-1630-30/DSI-2000-30 DSI-3310-30/DSI-3330-30 DSI-4400-30

## STAINLESS STEEL DOOR HANDLES



### DSI-3310



- For use with DSI mounting kits.
- Please specify Interior/Exterior type when ordering:  
 Posts for Exterior handles are threaded to accept screws.  
 Posts for Interior handles have set screws for DSI mounting kits.

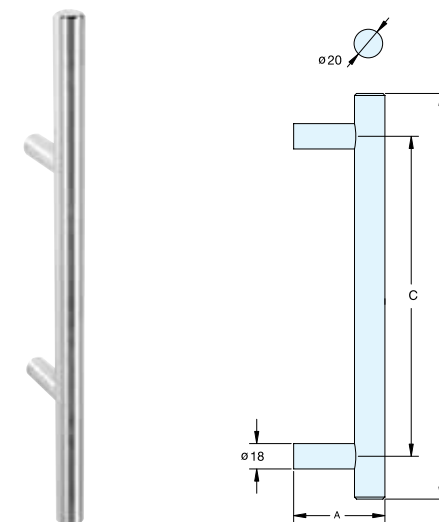
Item No.		D	L	C	A	Box (pcs)	Carton (pcs)
Interior	Exterior						
DSI-3310-15-15I	DSI-3310-15-15E	15	6-1/2" (165)	5-29/32" (150)	2-3/16" (55)	1	10
DSI-3310-15-20I	DSI-3310-15-20E		8-1/2" (215)	7-7/8" (200)			
DSI-3310-15-30I	DSI-3310-15-30E		12-3/8" (315)	11-13/16" (300)			
DSI-3310-20-20I	DSI-3310-20-20E	20	8-11/16" (220)	7-7/8" (200)	2-9/16" (65)		
DSI-3310-20-25I	DSI-3310-20-25E		10-5/8" (270)	9-27/32" (250)			
DSI-3310-20-30I	DSI-3310-20-30E		12-5/8" (320)	11-13/16" (300)			
DSI-3310-30-25I	DSI-3310-30-25E	30	11" (280)	9-27/32" (250)	3-9/16" (90)		
DSI-3310-30-30I	DSI-3310-30-30E		12" (330)	11-13/16" (300)			
DSI-3310-30-35I	DSI-3310-30-35E		14-15/16" (380)	13-25/32" (350)			
DSI-3310-30-60I	DSI-3310-30-60E		24-13/16" (630)	23-5/8" (600)			

Material	Finish
304 Stainless Steel	Satin

## STAINLESS STEEL DOOR HANDLES



### DSI-2000



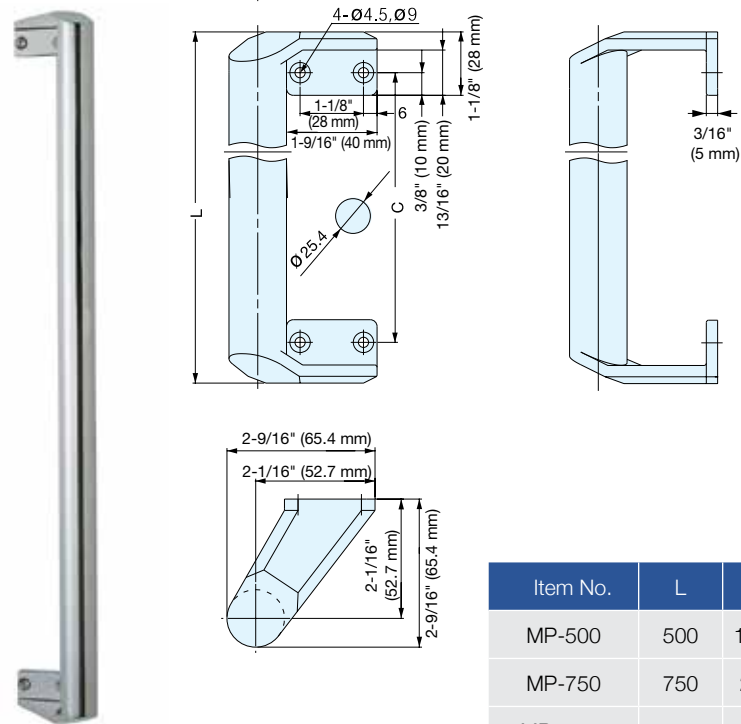
- For use with DSI mounting kits.
- Please specify Interior/Exterior type when ordering:  
 Posts for Exterior handles are threaded to accept screws.  
 Posts for Interior handles have set screws for DSI mounting kits.

Material	Finish
304 Stainless Steel	Satin

Item No.		L	C	A	Weight (kg)		Box (pcs)	Carton (pcs)
Interior	Exterior				Interior	Exterior		
DSI-2000-20-20I	DSI-2000-20-20E	11-13/16" (300)	7-7/8" (200)	2-9/16" (65)	0.89	0.89	2	10
DSI-2000-20-25I	DSI-2000-20-25E	15-3/4" (400)	9-7/8" (250)		1.11	1.11		
DSI-2000-20-30I	DSI-2000-20-30E	17-3/4" (450)	11-13/16" (300)		1.26	1.26		
DSI-2000-20-50I	DSI-2000-20-50E	27-9/16" (700)	19-11/16" (500)		0.54	0.54		

Item No.		L	C	A	Weight (kg)		Box (pcs)	Carton (pcs)
Interior	Exterior				Interior	Exterior		
DSI-2000-30-25I	DSI-2000-30-25E	21-5/8" (500)	9-7/8" (250)	3-9/16" (90)	1.34	1.11	2	10
DSI-2000-30-35I	DSI-2000-30-35E	25-9/16" (650)	13-3/4" (350)		1.22	1.20		
DSI-2000-30-45I	DSI-2000-30-45E	29-1/2" (750)	17-3/4" (450)		1.34	1.29		
DSI-2000-30-60I	DSI-2000-30-60E	35-7/16" (900)	23-5/8" (600)		1.50	1.50		

LARGE STAINLESS STEEL HANDLE

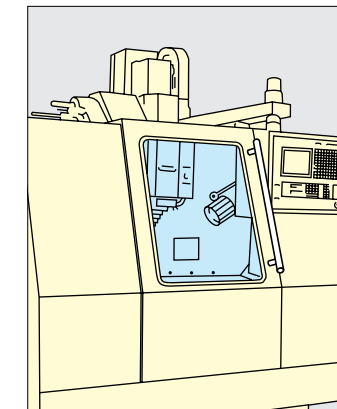
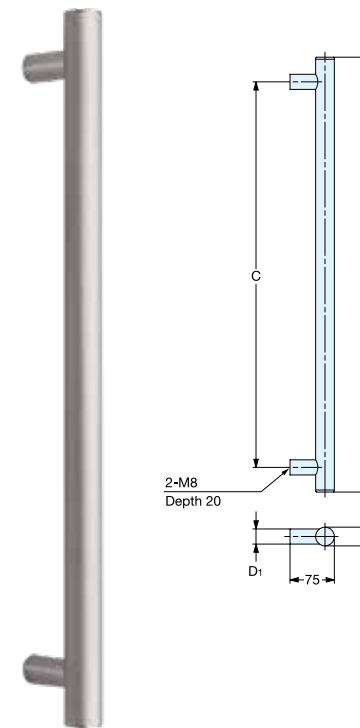


- Ideal for harsh and high corrosive environments.
- Designed for machinery applications where a heavy duty handle is required.

Material	Finish
316 Stainless Steel	Mirror

Item No.	L	C	Weight (g)	Box (pcs)	Carton (pcs)
MP-500	500	18-17/64" (464)	1000	2	20
MP-750	750	28-7/64" (714)	1300		16
MP-1000	1000	37-61/64" (964)	1600		12

LARGE STAINLESS STEEL HANDLE

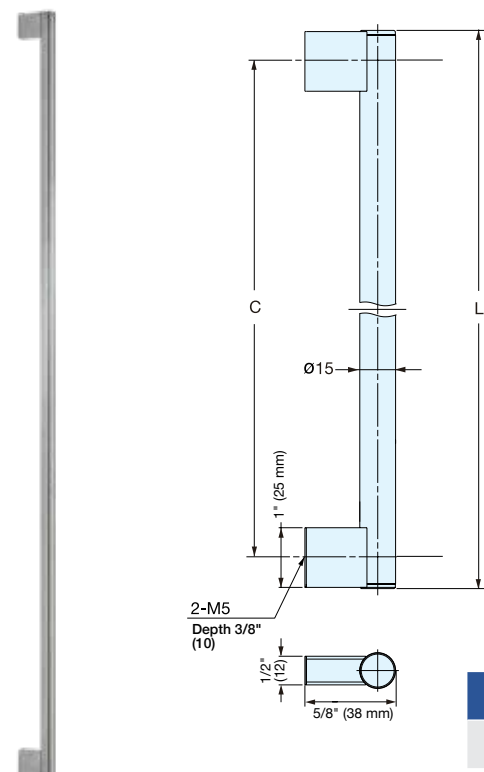


- Ideal in high corrosive environments and machinery applications.
- Designed for applications where a heavy duty handle is required.
- Recommended screw size: M8.

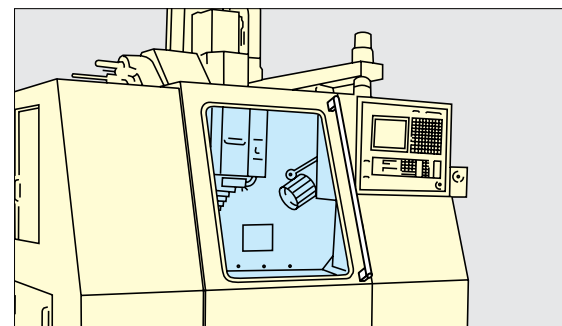
Material	Finish
304 Stainless Steel	Satin

Item No.	L	C	D <sub>1</sub>	D <sub>2</sub>	Weight (g)	Box (pcs)	Carton (pcs)
SSH-2540	400	316 (12-7/16")	19	25	665	10	100
SSH-2560	600	516 (20-5/16")			750		
SSH-2580	800	716 (28-3/16")			840		
SSH-3240	400	316 (12-7/16")	25	32	1175	5	50
SSH-3260	600	516 (20-5/16")			1290		
SSH-3280	800	716 (28-3/16")			1400		

LARGE STAINLESS STEEL HANDLE



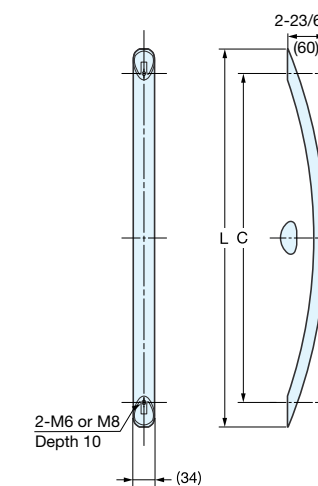
- Low profile design.
- Designed for machinery applications where a heavy duty handle is required.
- Recommended screw size: M5.



Material	Finish
304 Stainless Steel	Satin

Item No.	L	C	Weight (g)	Box (pcs)	Carton (pcs)
RH-760	786	29-59/64" (760)	340	20	200

LARGE ALUMINUM HANDLE



- Ideal for machinery applications where a large handle is required.
- Recommended screw size:  
M6 (400 and 600)  
M8 (800)

Material	Finish
Aluminum	Anodized (S), Black (BL)

Item No.	L	C	Weight (g)	Box (pcs)	Carton (pcs)	
SOR-400/S	SOR-400/BL	15-23/64" (390)	13-3/16" (335)	385	30	300
SOR-600/S	SOR-600/BL	23-5/8" (600)	20-35/64" (522)	495	20	200
SOR-800/S	SOR-800/BL	32-1/8" (860)	27-61/64" (710)	605	15	150

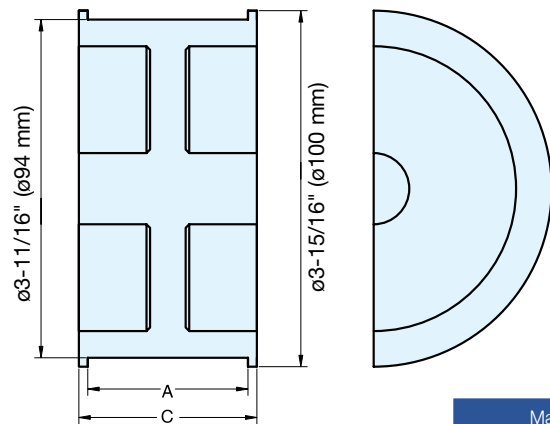


SLIDING DOOR HANDLE

STAINLESS 304 STEEL DSI-3250



- Contemporary handle design that can be accessed from door front, back, or edge.
- Requires adhesive for installation, such as 2-part epoxy, not supplied.



Material	Finish
304 Stainless Steel	Satin
Brass (AB model only)	Antique Brass (AB)

Item No.	C	A	Weight (g)	Box (pcs)	Carton (pcs)
DSI-3250-12-1	11/16" (17 mm)	1/2" (12.7 mm)	280	1	10
DSI-3250-35	1-17/32" (39 mm)	1-3/8" (35 mm)	440		
DSI-3250-35-AB					
DSI-3250-35-BL					
DSI-3250-45	1-15/16" (49 mm)	1-49/64" (45.0 mm)	550		
DSI-3250-45-AB					
DSI-3250-45-BL					
DSI-3250-50	2-1/8" (54 mm)	1-31/32" (50 mm)	670		

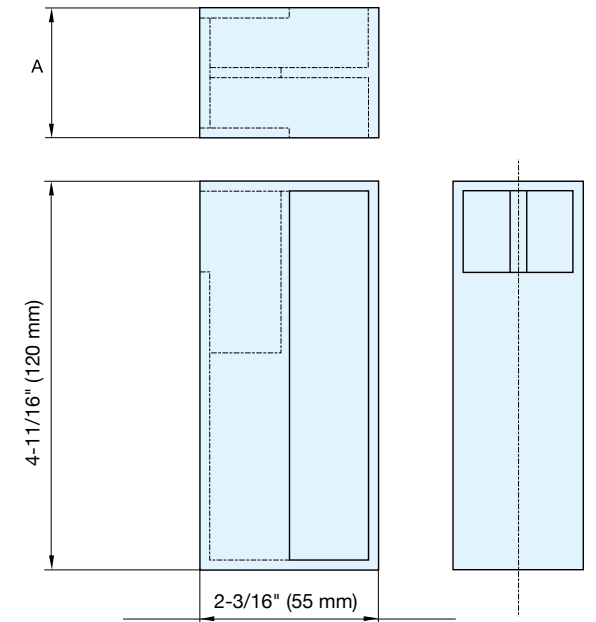


SLIDING DOOR HANDLE

STAINLESS 304 STEEL DSI-4251



- Contemporary handle design that can be accessed from door front, back, or edge.
- Requires adhesive for installation, such as 2-part epoxy, not supplied.



Item No.	A	Weight (g)	Box (pcs)	Carton (pcs)
DSI-4251-35	1-3/8" (35)	490	1	10
DSI-4251-38	1-1/2" (38)	515		
DSI-4251-40	1-9/16" (40)	530		
DSI-4251-43	1-11/16" (43)	550		
DSI-4251-45	1-3/4" (44.5)	570		
DSI-4251-50	1-31/32" (50)	590		

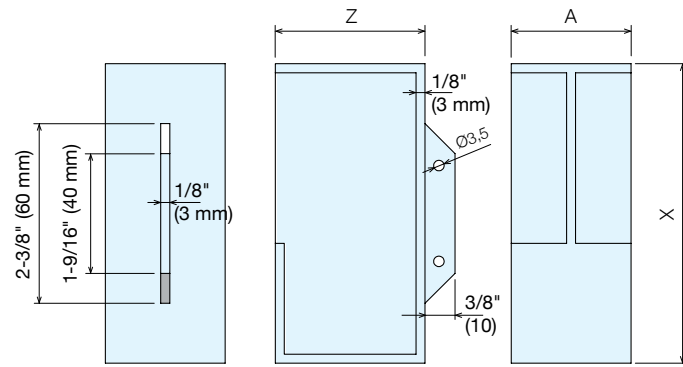
Material	Finish
304 Stainless Steel	Satin



SLIDING DOOR HANDLE



DSI-4254



- Contemporary handle design that can be accessed from door front, back, or edge.
- Requires adhesive for installation, such as 2-part epoxy, not supplied.



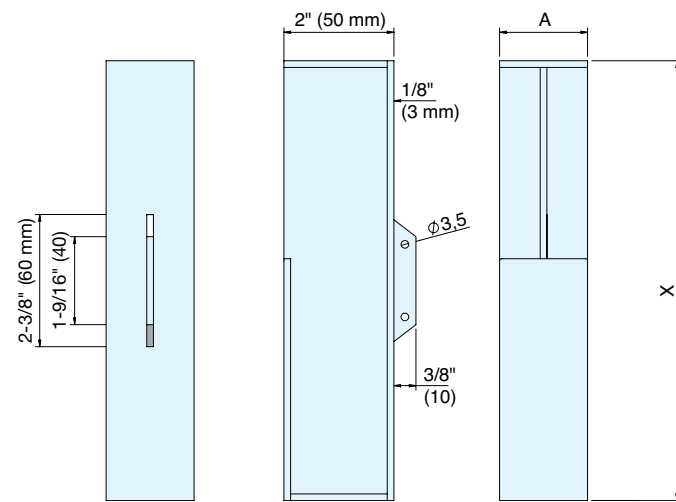
Material	Finish
304 Stainless Steel	Satin, Black (BL)

Item No.	A	X	Z	Weight (g)	Box (pcs)	Carton (pcs)
DSI-4254-100-35	1-3/8" (35)	3-15/16" (100)	2" (50)	293	1	10
DSI-4254-100-35-BL	1-3/8" (35)	3-15/16" (100)	2" (50)	293		
DSI-4254-100-45	1-3/4" (45)	3-15/16" (100)	2" (50)	345		
DSI-4254-100-45-BL	1-3/4" (45)	3-15/16" (100)	2" (50)	345		
DSI-4254-200-35	1-3/8" (35)	7-7/8" (200)	3-3/8" (85)	746		
DSI-4254-200-45	1-3/4" (45)	7-7/8" (200)	3-3/8" (85)	822		
DSI-4254-300-35	1-3/8" (35)	11-13/16" (300)	3-3/8" (85)	1110		
DSI-4254-300-45	1-3/4" (45)	11-13/16" (300)	3-3/8" (85)	1231		
DSI-4254-500-35	1-3/8" (35)	19-11/16" (500)	3-3/8" (85)	1795		
DSI-4254-500-45	1-3/4" (45)	19-11/16" (500)	3-3/8" (85)	2019		

SLIDING DOOR HANDLE



DSI-4254S



- Contemporary handle design that can be accessed from door front, back, or edge.
- Requires adhesive for installation such as 2-part epoxy, not supplied.



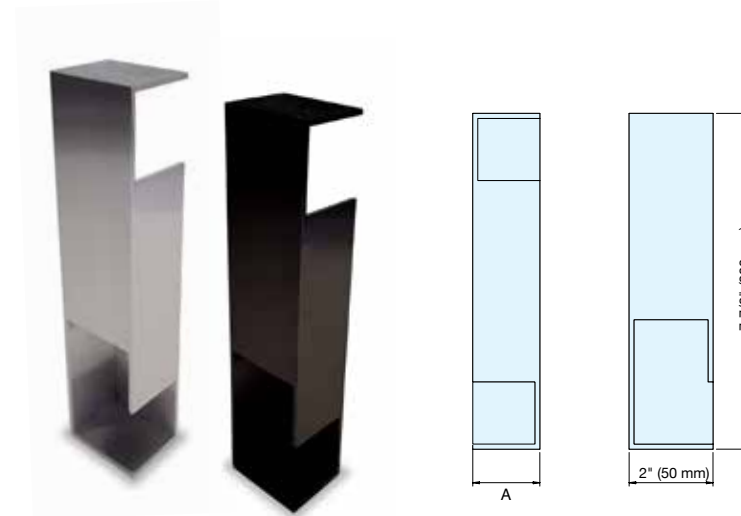
Material	Finish
304 Stainless Steel	Satin

Item No.	A	X	Weight (g)	Box (pcs)	Carton (pcs)
DSI-4254S200-35	1-3/8" (35)	7-7/8" (200)	541	1	10
DSI-4254S200-45	1-3/4" (45)	7-7/8" (200)	626		
DSI-4254S300-35	1-3/8" (35)	11-13/16" (300)	811		
DSI-4254S300-45	1-3/4" (45)	11-13/16" (300)	941		

SLIDING DOOR HANDLE



DSI-4257



- Contemporary handle design that can be accessed from door front, back, or edge.
- Requires adhesive for installation such as 2-part epoxy, not supplied.



Material	Finish
304 Stainless Steel	Satin, Black (BL)

Item No.	Finish	A	Weight (g)	Box (pcs)	Carton (pcs)
DSI-4257-35	Satin	1-3/8" (35)	528	1	8
DSI-4257-35-BL	Black				
DSI-4257-45	Satin	1-3/4" (45)	625		
DSI-4257-45-BL	Black				

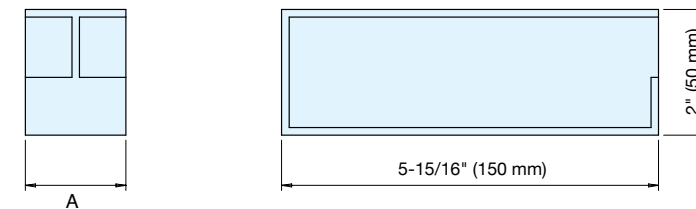
SLIDING DOOR HANDLE



DSI-4258



- Contemporary handle design that can be accessed from door front, back, or edge.
- Requires adhesive for installation, such as 2-part epoxy, not supplied.
- Unique, horizontal design.



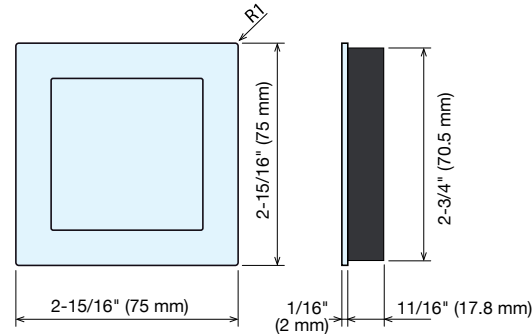
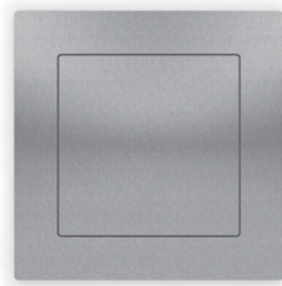
Material	Finish
304 Stainless Steel	Satin, Black (BL)

Item No.	W	H	A	Weight (g)	Box (pcs)	Carton (pcs)
DSI-4258-35	5-15/16" (150)	2" (50)	1-3/8" (35)	496	1	18
DSI-4258-35-BL			1-3/8" (35)	496		
DSI-4258-45			1-3/4" (45)	542		
DSI-4258-45-BL			1-3/4" (45)	542		

RECESSED PULLS



DSI-4501



- Modern, unobtrusive design.
- 1/16" (2 mm) projection, ideal for furniture or pocket doors.

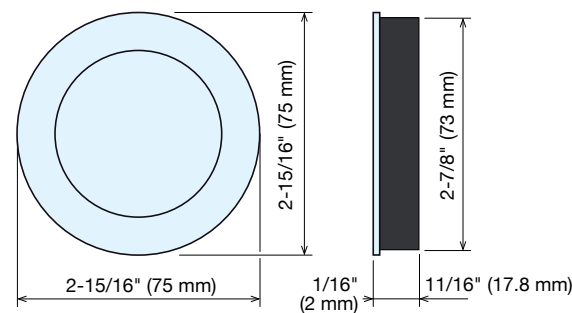


Item No.	Weight (g)	Box (pcs)	Carton (pcs)	Material	Finish
DSI-4501-75	141	10	40	304 Stainless Steel, Plastic, Steel	Satin

RECESSED PULLS



DSI-4502



- Modern, unobtrusive design.
- 1/16" (2 mm) projection, ideal for furniture or pocket doors.

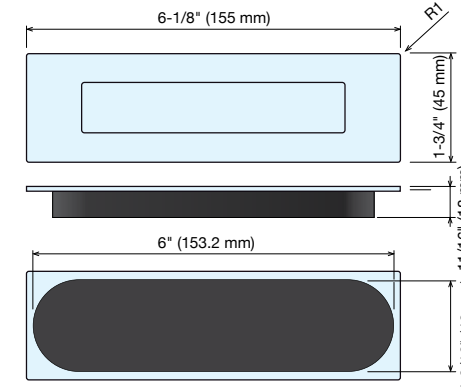


Item No.	Weight (g)	Box (pcs)	Carton (pcs)	Material	Finish
DSI-4502-75	122	10	40	304 Stainless Steel, Plastic, Steel	Satin

RECESSED PULLS



DSI-4503



- Modern, unobtrusive design.
- 1/16" (2 mm) projection, ideal for furniture or pocket doors.

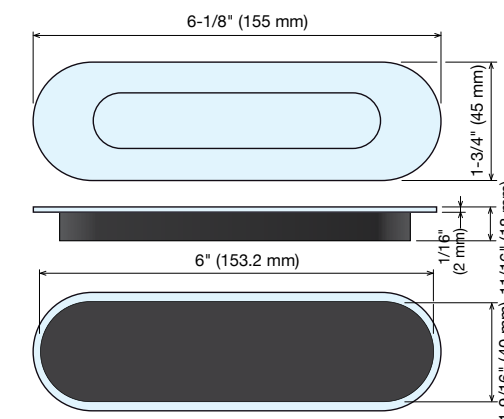


Item No.	Weight (g)	Box (pcs)	Carton (pcs)	Material	Finish
DSI-4503-155	173	10	40	304 Stainless Steel, Plastic, Steel	Satin

RECESSED PULLS



DSI-4504



- Modern, unobtrusive design.
- 1/16" (2 mm) projection, ideal for furniture or pocket doors.



Item No.	Weight (g)	Box (pcs)	Carton (pcs)	Material	Finish
DSI-4504-155	172	10	40	304 Stainless Steel, Plastic, Steel	Satin

PUSH-TO-OPEN DOOR LATCH

ML-ZN80

# The Magnetic Touch

The mighty **ML-ZN80 Push-To-Open Door Latch** featuring a strong 11 lbs push force, ideal for large doors up to 275 lbs, it features a magnet that allows tolerance with 1.5° swivel. The hidden mounting screw design offers a clean appearance and easy two part installation, available in two finishes.

**The only Push-To-Open Door Latch of this category, available in the market.**

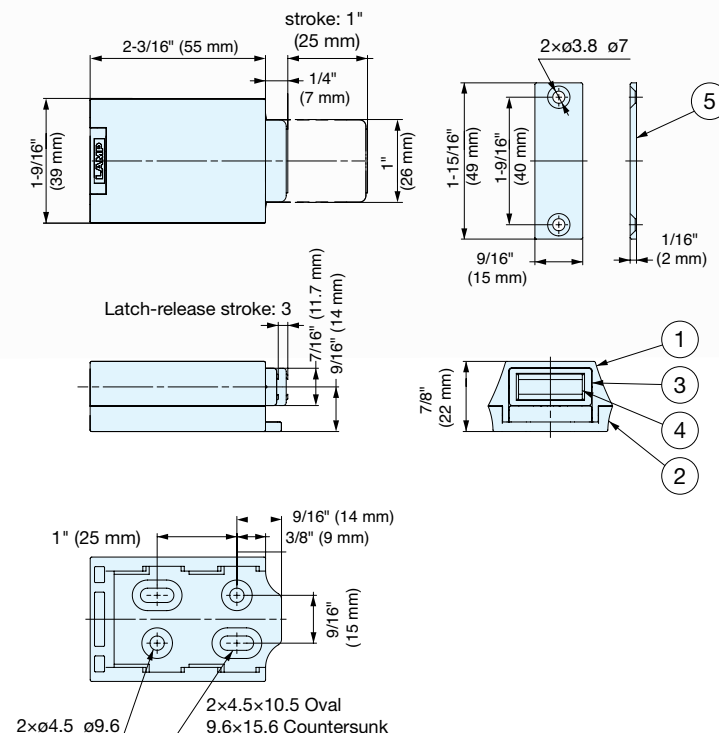
- For doors up to 36" x 96". Ideal for use with the HES3D-E190/W190 Concealed Door Hinge Series.
- Push force of 11 lbs. Can push up to 275 lbs door.
- Hidden Mounting Screw Design for clean appearance and easy installation.
- Passed 100,000 open/close private cycle test.

No.	Part Name	Material	Finish/Color
①	Body	Zinc Alloy	White (WT), Black (BL)
②	Mounting Plate		
③	Latch	Plastic (PA)	
④	Magnet	Ferrite	
⑤	Strike Plate	Stainless Steel	Polished



ML-ZN80WT

ML-ZN80BL



Item No.	Magnetic Force	Push Force	Weight (g)	Max. Door Specs (Reference)			Box (pcs)	Carton (pcs)
				Height	Width	Weight		
ML-ZN80WT	6.6 lbs (3 kg)	11 lbs (5 kg)	160	96-1/16\"/>				
ML-ZN80BL								

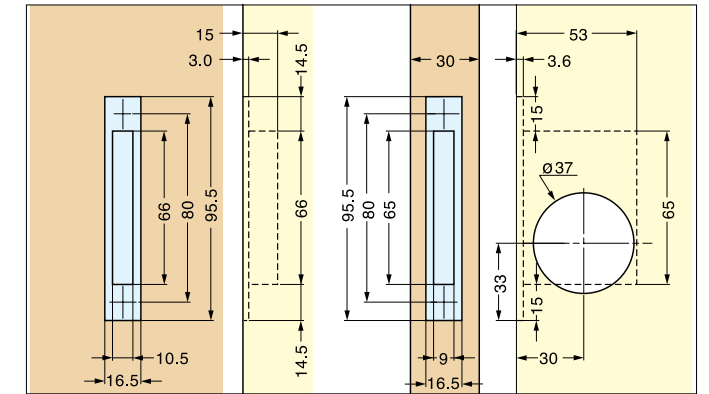
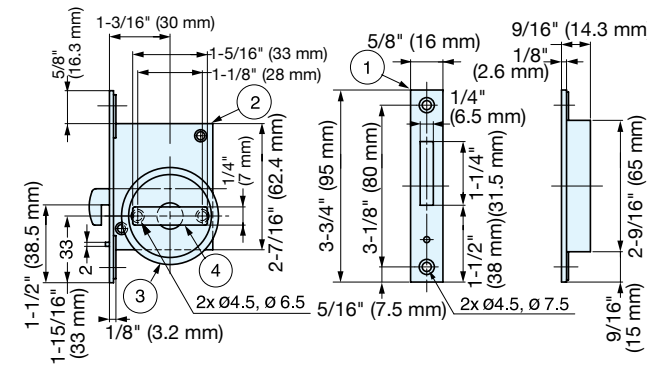


SLIDING DOOR LATCH

HC-30R



- Sliding door latch for thick doors 1-1/8"~2" (28-52 mm).
- Thumbturn on both sides for easy access.
- Slim design suitable for various applications.
- Non-Handed.
- For sliding doors only.
- Includes screws.



Item No.	Weight (g)	Box (pcs)	Carton (pcs)
HC-30R	283	5	50

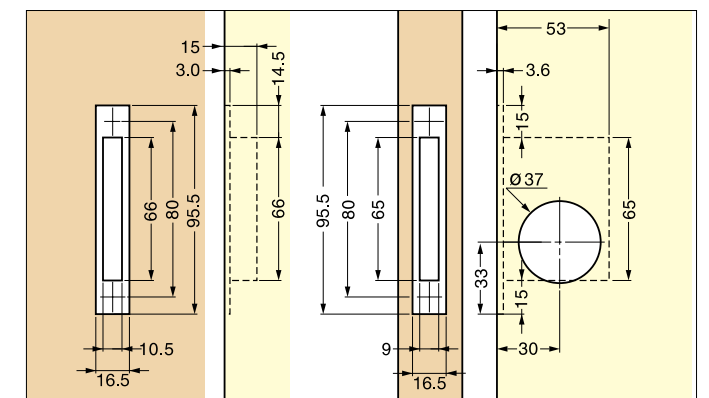
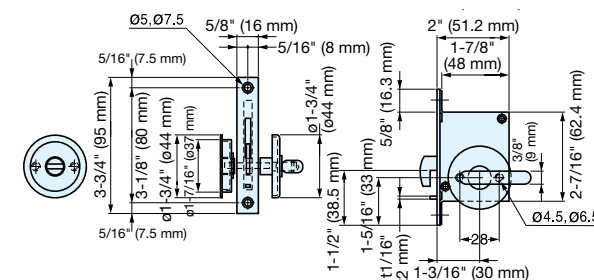
Material	Finish
304 Stainless Steel, Steel, Zinc Alloy	Satin

SLIDING DOOR LATCH

HC-30L



- Sliding door latch with large lever for easy operation.
- Slim design suitable for various applications.
- Non-handed.
- For door thickness 1-1/8"~1-7/8" (28~48 mm).
- For sliding doors only.



Item No.	Weight (g)	Box (pcs)	Carton (pcs)
HC-30L	309	5	50

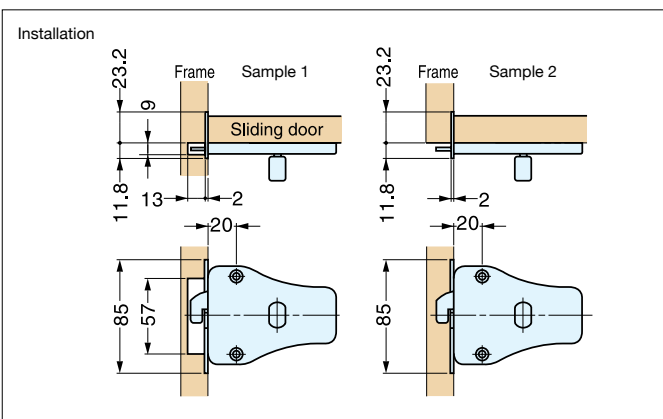
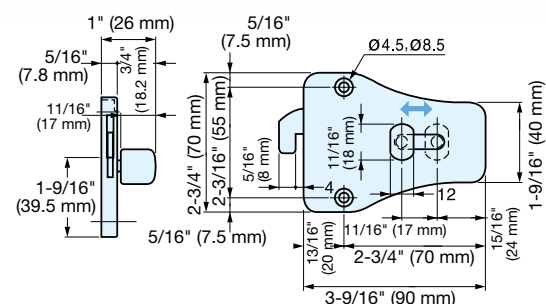
Material	Finish
304 Stainless Steel, Brass, Zinc Alloy	Satin

## SLIDING DOOR LATCH

## HC-70



- Surface mount type door latch.
- Slide knob to lock and unlock.
- Large knob for easy operation.
- Non-handed.
- Slim design suitable for various applications.



Item No.	Weight (g)	Box (pcs)	Carton (pcs)
HC-70	197	5	50

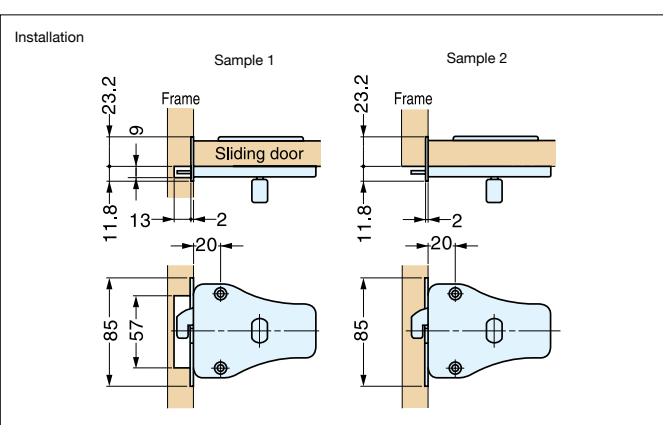
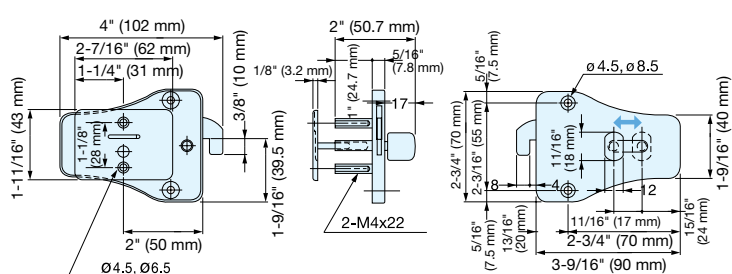
Material	Finish
304 Stainless Steel, Brass	Satin

## SLIDING DOOR LATCH (WITH INDICATOR)

## HC-70H



- Sliding latch with indicator.
- Slide knob to lock and unlock, large knob for easy operation.
- Non-handed.
- Slim design suitable for various applications.
- For door thickness 1-1/32"~1-9/16" (26~40 mm).



Item No.	Weight (g)	Box (pcs)	Carton (pcs)
HC-70H	297	5	50

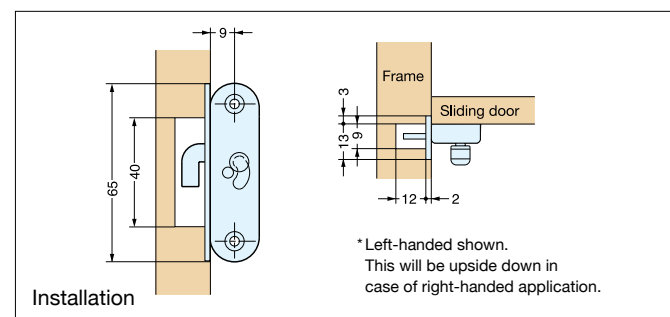
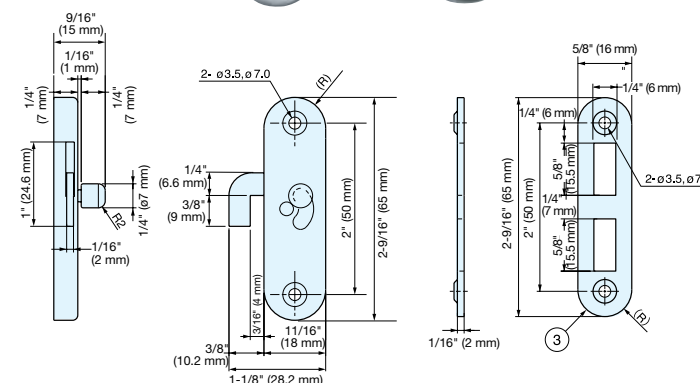
Material	Finish
304 Stainless Steel, Brass	Satin

## SLIDING DOOR LATCH

## HC-65



- Surface mount type door latch with noticeable indicator.
- Extra slim and compact design.
- Simply slide up and down the knob to lock/unlock.
- Non-handed.



Material	Finish
304 Stainless Steel, Brass	Satin

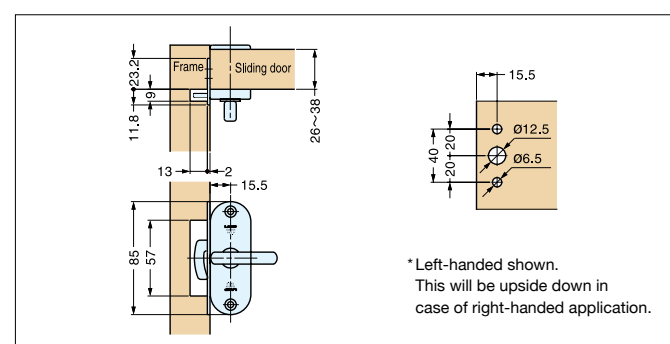
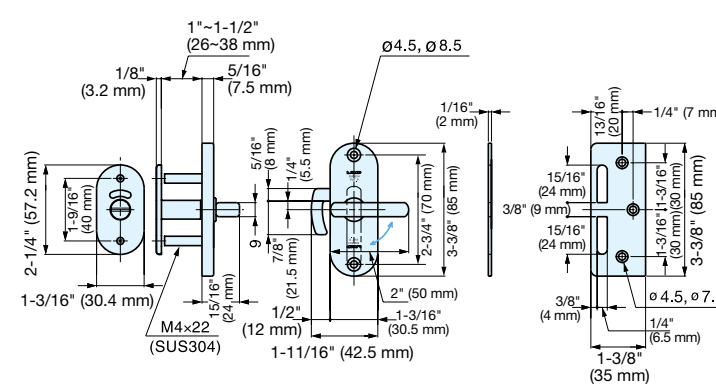
Item No.	Weight (g)	Box (pcs)	Carton (pcs)
HC-65	41	20	200

## SLIDING DOOR LATCH

## HHC-85



- Door latch with indicator, large lever for easy operation.
- Slim design suitable for various applications.
- Non-handed.
- For door thickness 1-1/32"~1-1/2" (26~38 mm).



Material	Finish
304 Stainless Steel, Brass	Satin

Item No.	Weight (g)	Box (pcs)	Carton (pcs)
HHC-65	120	6	30

# SLIDING DOOR LATCH

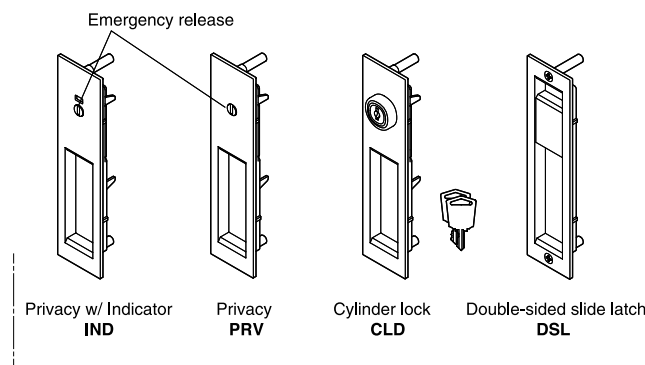


# HC-3051 SERIES



- Recessed latch handle for wooden sliding doors.
- 4 model types available.
- The backset can be installed at any position between 1-3/16"~2" (30 mm~51 mm) from the door edge.
- Applicable door thickness: 1-3/8"~1-3/4" (35mm ~ 45 mm). 3 different lengths of spindles and 2 different lengths of screw are included. Initial setting is for 1-1/2" (38 mm) door.

## ■ Latch Body & Strikeplate



## ■ Latch Faceplates



The opposite face of every model has a slide handle, as shown for the DSL model.

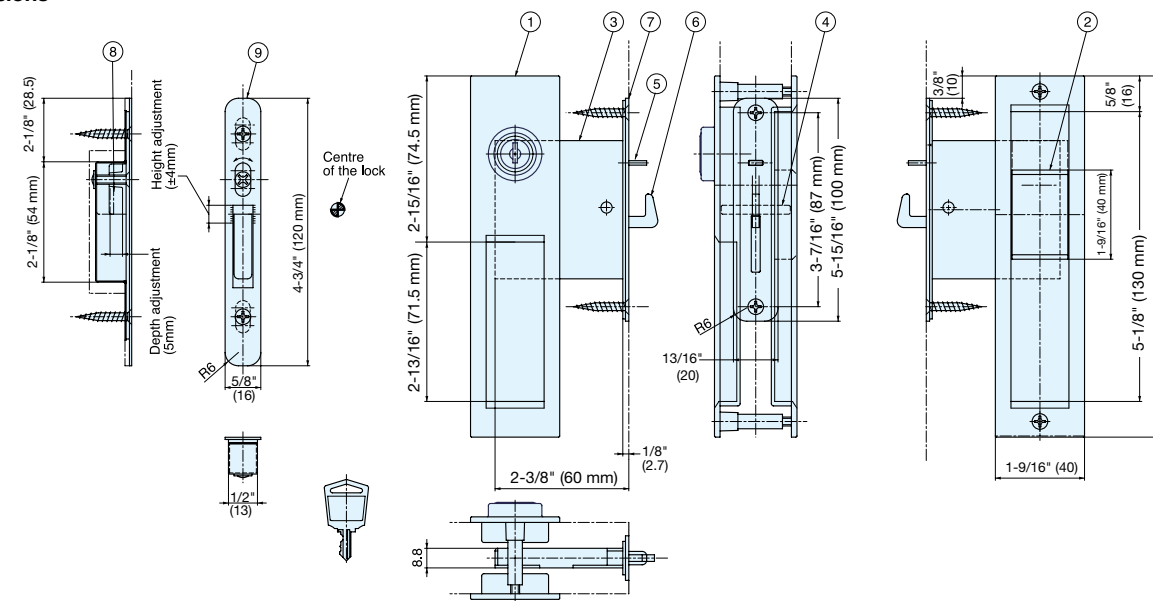
## ■ Parts Included

- Spindles  $\varnothing 4 \times 35$ ,  $\varnothing 4 \times 39$ ,  $\varnothing 4 \times 43$
- Countersunk head tapping screw 3.5x25 (SUS) for strike & latch body
- Countersunk head screw M4x20, M4x25 (SUS) for latch face plates.

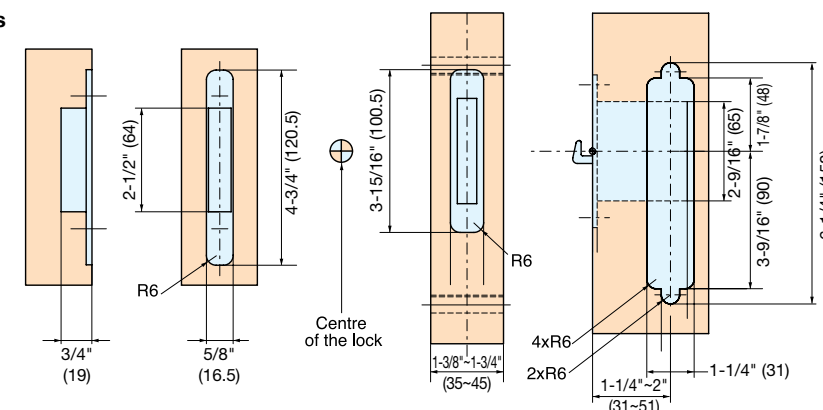
Item Name	Type	Weight (g)	Box (pcs)	Carton (pcs)
HC-3051-PRV-NI	Privacy	531	1	20
HC-3051-IND-NI	Privacy w/ Indicator	535		
HC-3051-CLD-NI	Cylinder lock	557		
HC-3051-DSL-NI	Double Sided Slide	511		

## HC-3051-CLD-NI is shown

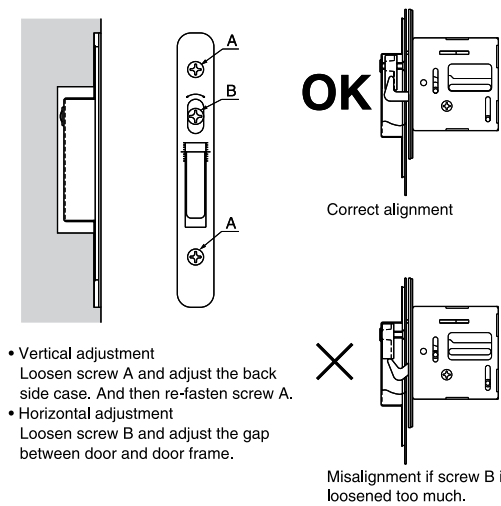
## ■ Dimensions



## ■ Cut Out Dimensions

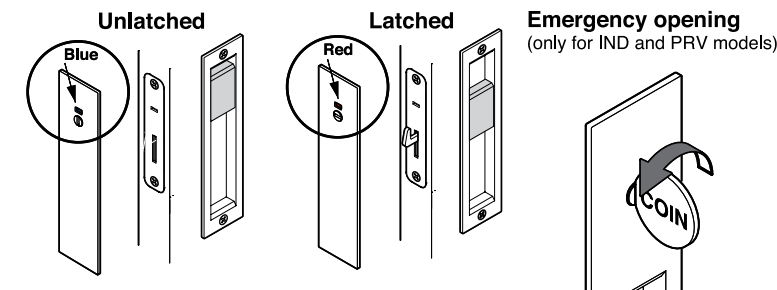


## ■ Adjustment to the strikeplate



- Vertical adjustment: Loosen screw A and adjust the back side case. And then re-fasten screw A.
- Horizontal adjustment: Loosen screw B and adjust the gap between door and door frame.

## ■ Checking the operation of latch



No.	Part Name	Material	Finish
①	Base	Zinc Alloy	Nickel
②	Knob		
③	Latch Body	Steel	Plain
④	Spindle		
⑤	Trigger	304 Stainless Steel	Polished
⑥	Bolt		
⑦	Front Plate (Latch)	Steel	Satin
⑧	Strike		
⑨	Front Plate (Strike)	304 Stainless Steel	Stain

## DOOR STOPPERS

### ZL-1801



- Supplied with stainless steel hex. bolt (M8 × 75), concrete anchor (for M8, ø14 mm hole), stainless steel carriage bolt (M8 × 50) and allen key.

Material	Finish
304 Stainless Steel, Rubber	Zwei L, Black

### ZL-1801



- Supplied with stainless steel wood screws (4.1 × 32) and concrete anchor (for wood screw 4.1, ø6 mm hole).
- Available in 2 sizes:
  - ZL-1802-72** L=2-53/64" (72 mm)
  - ZL-1802-96** L=3-25/32" (96 mm)

Material	Finish
304 Stainless Steel, Rubber	Zwei L, Black

### DSD-02

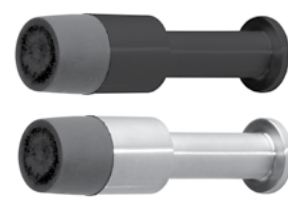
- Floor mount type.
- Available in 2 sizes.



Material	Finish
304 Stainless Steel, Rubber	Satin, Black

### DSD-03

- Wall mount type.
- Available in 3 sizes.



Material	Finish
304 Stainless Steel, Rubber	Satin, Black

### SMDH

- Can be wall or floor mounted.



Material	Finish
Polycarbonate	Brown, Ivory

### KMDH

- Can be wall or floor mounted.



Material	Finish
Polycarbonate	Brown, Ivory

### SMDH

- Features clear acrylic bumper.

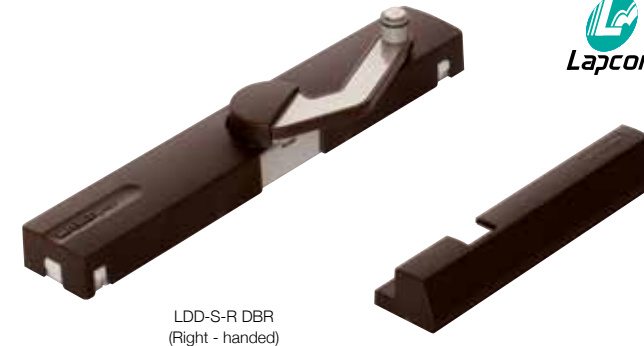


Material	Finish
304 Stainless Steel, Soft Acrylic	Satin

## DOOR DAMPER (SURFACE MOUNT)



### LDD-S



LDD-S-R DBR (Right - handed)



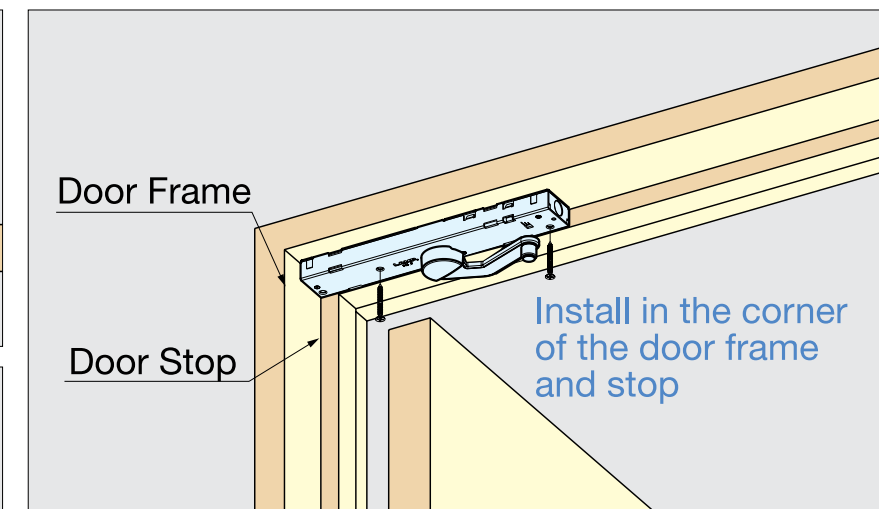
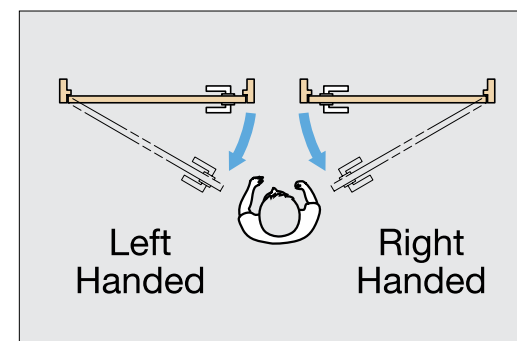
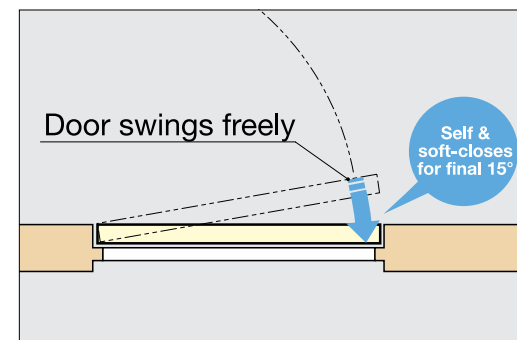
ONLY 3/4"

- Door damper unit for interior, swinging doors.
- Grips door at final 15° and softly, self-closes doors more gently compared to other door closers.
- Surface mounting allows hardware to be retrofitted.
- Recommended Door Specifications:
  - Width: max. 36" (914 mm)
  - Weight: 33~88 lbs (15~40 kg)
- Can be adjusted for door weight after installation. Damper function can also be switched off.
- Slim, unobtrusive design: damper unit is just 3/4" high, easily fitting most door frames.

Available in the following colors:



White Light Gray Light Brown Dark Brown



Installation & Adjustment

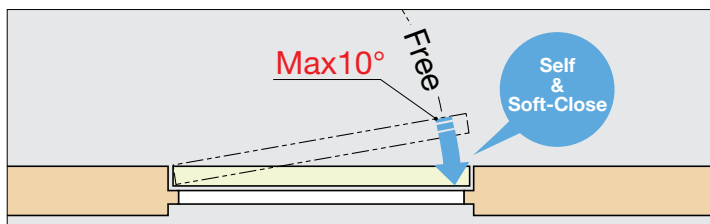
Component	Material	Finish/Color
Main Body	Steel, Zinc Alloy	Plain
Counter Plate		
Covers	ABS	White (WT), Light Grey (LGR), Light Brown (LBR), Dark Brown (DBR)

Item No.	Type	Door Weight	Door Width	Door Thickness	Box (pc)	Carton (pcs)
LDD-S-L	Left	33~88 lbs (15~40 kg)	Max. 36" (914 mm)	Will support any thickness	1	24
LDD-S-R	Right					

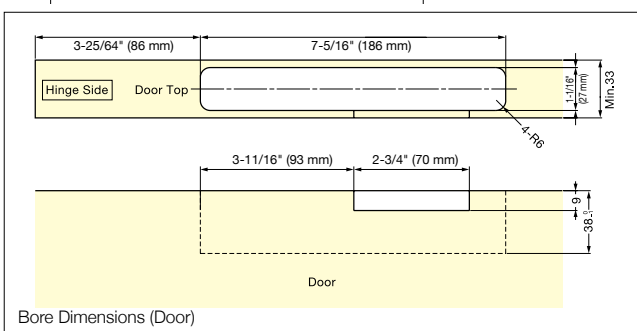
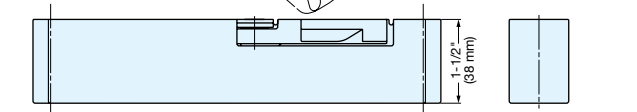
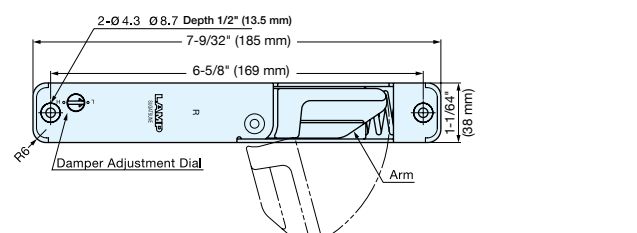
## DOOR DAMPER (RECESSED TYPE)



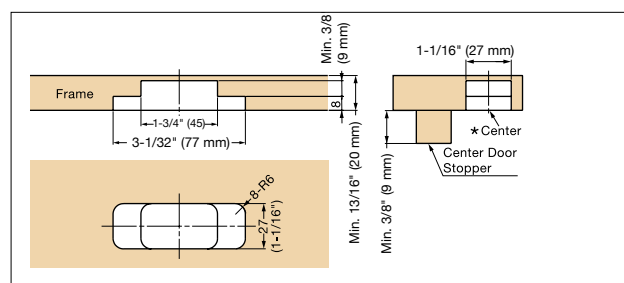
LDD-V-R is shown



LDD-V-R is shown



- Door damper unit for interior, swinging doors.
- Grips door at final 10° and softly, self-closes doors more gently compared to other door closers, putting less stress on the hinges.
- "Invisible" design minimizes visibility of hardware.
- Recommended door specifications:
  - Thickness: min. 1-5/16" (33 mm)
  - Width: max. 36" (914 mm)
  - Weight: 33~88 lbs (15~40 kg)
- Can be adjusted for door weight after installation. Counterplate position can be easily adjusted by removing cover and turning micro-adjustment screws.
- Includes screws and paper template for installation.



Part Name	Material	Finish/Color
Main Body	Steel/Polyacetal/PBT	Chromate/Grey
Counter Plate	Steel/Polyacetal	Nickel/Grey

Item No.	Type	Door Weight	Door Width	Door Thickness	Box (pc)	Carton (pcs)
LDD-V-R	Right	33~88 lbs (15~40 kg)	Max. 36" (914 mm)	Min. 1-19/64" (33 mm)	1	24
LDD-V-L	Left					

## DOOR DAMPER (RECESSED TYPE)



LDD-V100-NI-L shown.



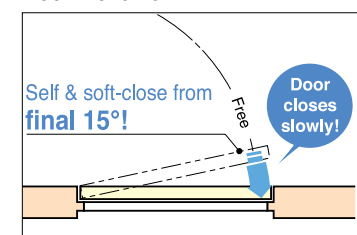
Counter plate cover (Nickel/Dark brown)

- Door damper unit for interior, swinging doors.
- Grips door at final 15° and softly, self-closes doors more gently compared to other door closers, putting less stress on the hinges.
- Heavy Duty: Holds up to 220 lbs doors (100 kg).
- "Invisible" design minimizes visibility of hardware.
- Recommended door specifications:
  - Thickness: 1-9/16"~2-3/8" (39~60 mm)
  - Width: max. 35-7/16" (900 mm)
  - Weight: 88~220 lbs (40~100 kg)
- Can be adjusted for door weight after installation. Counterplate position can be easily adjusted.
- Includes screws and paper template for installation.

### Installation

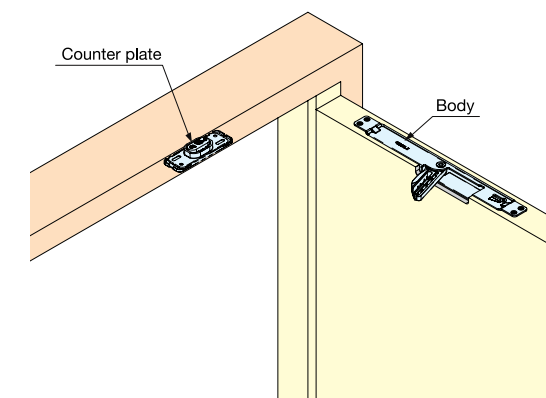
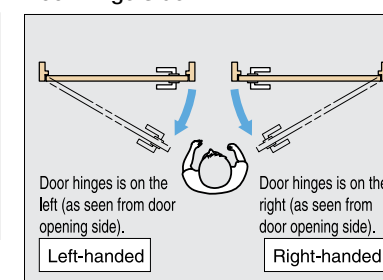
Below drawing shows right-handed type. Left-handed type is symmetrical.

### Door Movement

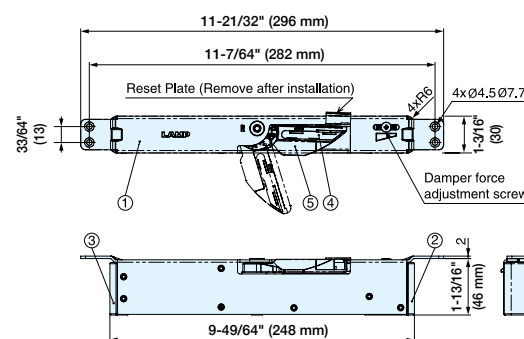


Right-handed type shown. Left-handed type is symmetrical.

### Door Hinge Side



### Body



No.	Part Name	Material	Finish/Color
①	Case	Steel (SPCC)	Nickel
②	Damper Base	POM	Grey
③	Spring Base	POM	Grey
④	Arm Cover	POM	Grey
⑤	Arm	Zinc Alloy (ZDC)	Nickel
⑥	Counter Plate Cover	ABS	Dark Brown/Nickel
⑦	Counter Plate Base	Zinc Alloy (ZDC)	-
⑧	Counter Plate Shaft	Steel (SUM)	Nickel

Item No.	Finish/Color	Type	Door Weight	Door Width	Door Thickness	Box (pc)	Carton (pcs)
LDD-V100-DBR-R	Dark Brown	Right	88 lbs~220 lbs (40~100 kg)	Max. 35-7/16" (900 mm)	1-9/16"~2-3/8" (40~60 mm)	1	10
LDD-V100-DBR-L		Left					
LDD-V100-NI-R	Nickel	Right	88 lbs~220 lbs (40~100 kg)	Max. 35-7/16" (900 mm)	1-9/16"~2-3/8" (40~60 mm)	1	10
LDD-V100-NI-L		Left					



sugatsune.com



**Sugatsune America**  
18101 Savarona Way,  
Carson, CA 90746  
Toll Free: 800-562-5267



**Sugatsune Canada, Inc.**  
3775 Boulevard du Tricentenaire,  
Montréal, Québec H1B-5W3  
Toll Free: 833-312-5267  
support@sugatsune.ca