

3-WAY ADJUSTABLE CONCEALED HINGE



HES3D-E160

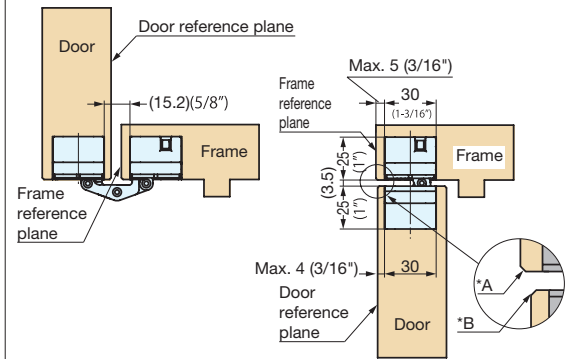
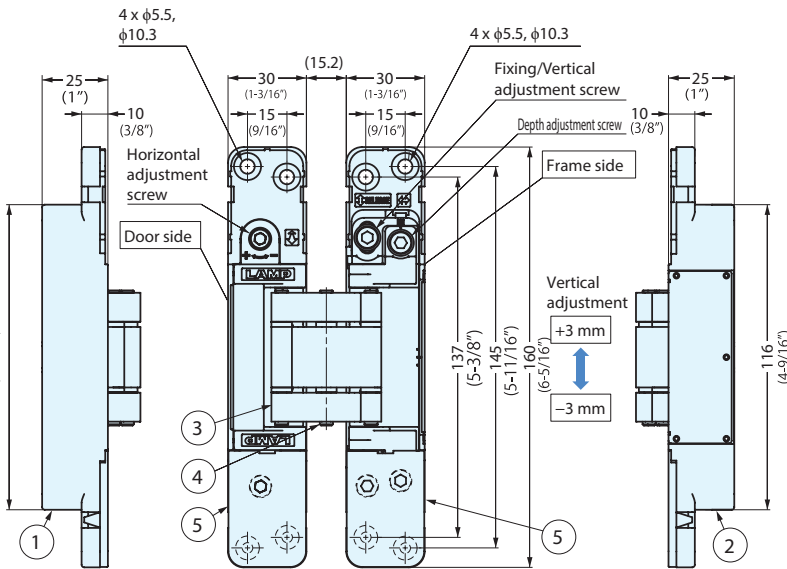
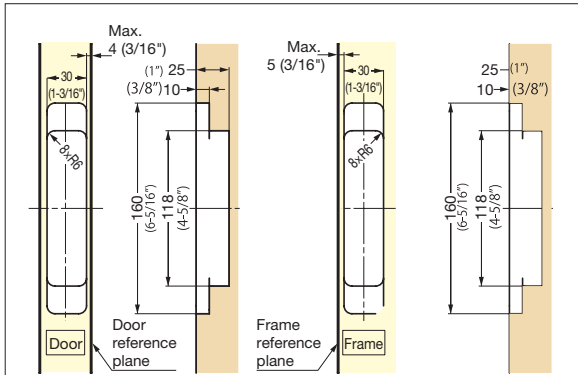
HINGES

3-WAY ADJUSTABLE CONCEALED HINGES

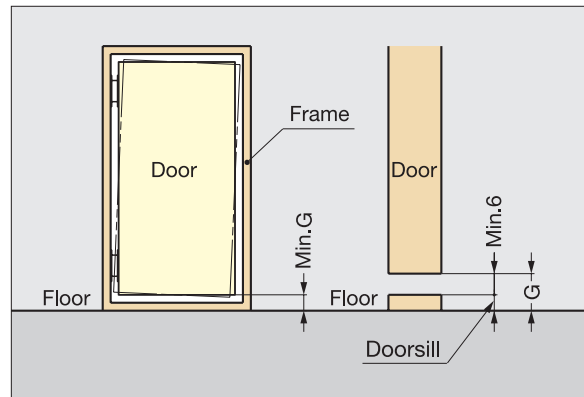
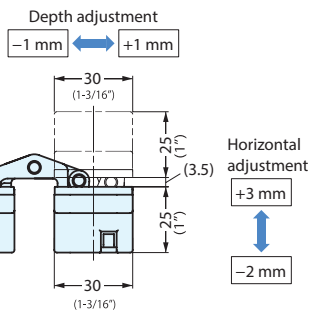


- Easy installation with symmetrical leaves and lift-off feature.
- 3-WAY adjustment function allows vertical, horizontal, and depth adjustment after hinge installed.
- Door Weight Capacity: Max. 55 kg (121 lbs)/2 pcs, 70 kg (154 lbs)/3 pcs
- Door Thickness: Min. 35 mm (1-3/8")
- Max. Door Dimensions: H 2400 mm × W 900 mm (H 94-1/2" × W 35-7/16")
- Successfully passed 300,000 open/ close private cycle tests.

Bore Dimensions



*Chamfer the marked part with C1, R1 or a larger value.



To determine the door and frame dimension, (G) must be taken into account.
G = Min. 6 mm + doorsill

| No. | Part Name | Material | Finish/Color |
|-----|------------|---------------------|--|
| ① | Body | Zinc Alloy | Dull Chrome (DC), Dull Nickel (DN), Black (BL) |
| ② | Base Frame | | |
| ③ | Arm | Aluminum | - |
| ④ | Pin | 304 Stainless Steel | - |
| ⑤ | Cover | ABS | Dull Chrome (DC), Dull Nickel (DN), Black (BL) |

| Item No. | Weight (g) | Box (pcs) | Carton (pcs) | Finish/Color |
|--------------|------------|-----------|--------------|--------------|
| HES3D-E160DC | 760 | 2 | 12 | Dull Chrome |
| HES3D-E160DN | | | | Dull Nickel |
| HES3D-E160BL | | | | Black |