

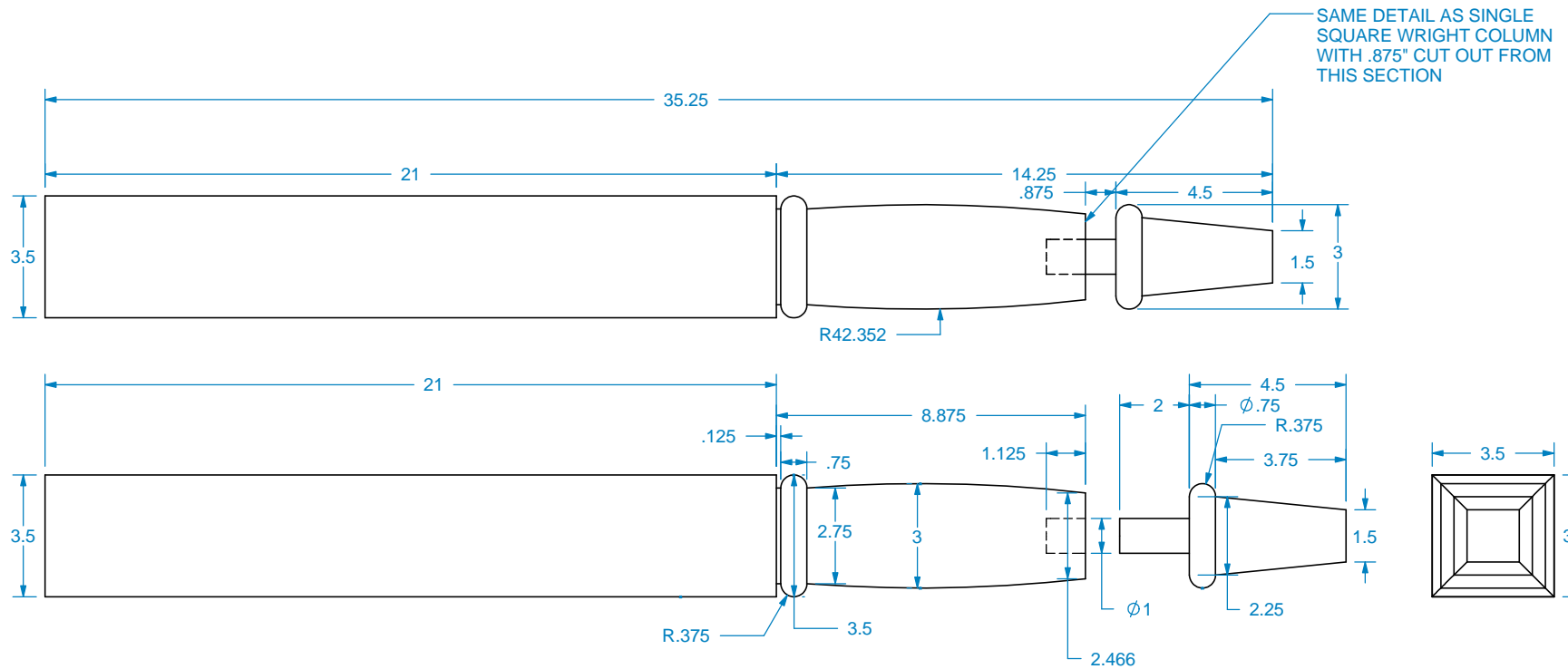
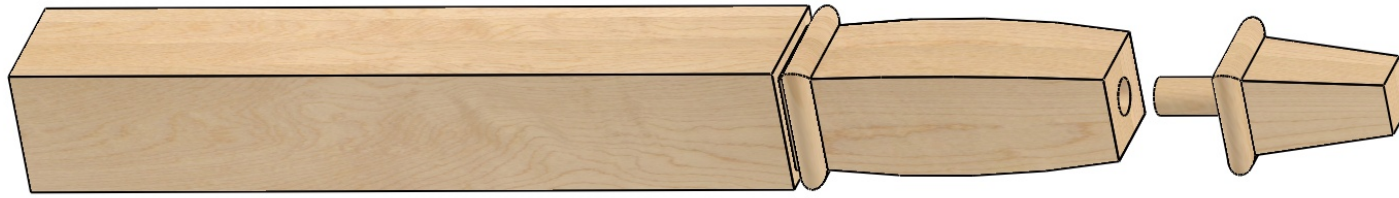
# DRAWING APPROVAL

DATE: \_\_\_\_\_

CUSTOMER: \_\_\_\_\_

SIGNATURE: **X** \_\_\_\_\_

THIS PRINT HAS BEEN DRAWN TO OUR BEST ABILITY ACCORDING TO THE INFORMATION SUPPLIED BY THE CUSTOMER. PLEASE REVIEW FOR ERRORS AND NOTIFY BROWN WOOD OF ANY CONCERNS OR CHANGES THAT NEED TO BE MADE BEFORE SIGNING.



REVISION HISTORY		
REV	REV DATE	DESCRIPTION

TOLERANCES	
WIDTH	± .03125"
THICKNESS	± .03125"
LENGTH	± .0625"
ANGULAR	± x.x°
PROFILE	± x.xxx"
Use General Tolerances Unless Noted	

**MATERIALS AND FINISHES**  
 PLEASE VISIT OUR WEBSITE FOR A COMPLETE LIST.  
[www.brownwoodinc.com](http://www.brownwoodinc.com)  
 1-800-328-5858

**NOTES:**  
 Do not scale. Use dimensions only. All dimensions are in inches unless noted

**TITLE: SQUARE WRIGHT COLUMN WITH DETACHABLE FOOT**

**NOMINAL SIZE**  
 3.5" X 3.5" X 35.25"

DWG #: **01040275-1**      REV: \_\_\_\_\_

DATE: **12/9/2019**      SCALE: **1:5**