

CUSTOM CHAMFER LEG

Customize our stock 3", 4", 5" or 6" square columns.
 Priced per corner. Set-up charges may apply for all custom cuts.

Date: _____

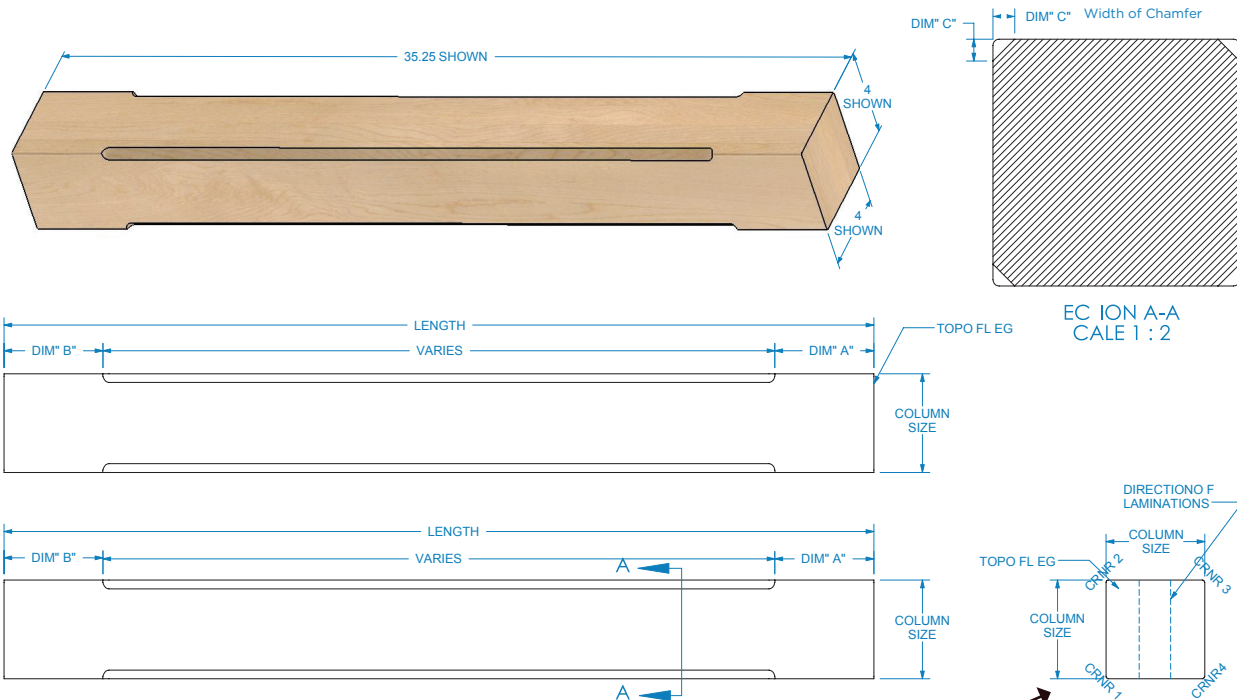
Company Name: _____

Company Address: _____

Contact Name: _____

Contact Phone #: _____

Contact Email: _____



2) Column Size:

- 3"
- 4"
- 5"
- 6"
- Other: _____

3) Length:

- 35.25"
- 42.25"
- Other: _____

4) Detail on Corners:

Use the diagram in order to choose which corners you would like the detail on.

- Corner 1
- Corner 2
- Corner 3
- Corner 4

5) DIM "A":

- 2"
- 3"
- 4"
- 5"
- Other: _____

6) DIM "B":

- 3"
- 4"
- 5"
- 6"
- Other: _____

7) DIM "C":

- Width of Chamfer
- .25"
 - .375"
 - .5"
 - Other: _____

8) Species:

- | | | | |
|----------------------------------|---|------------------------------------|-------------------------------------|
| <input type="checkbox"/> Red Oak | <input type="checkbox"/> Alder | <input type="checkbox"/> Cherry | <input type="checkbox"/> Hard Maple |
| <input type="checkbox"/> Hickory | <input type="checkbox"/> Qtr Sawn Red Oak | <input type="checkbox"/> White Oak | <input type="checkbox"/> Walnut |
- Other: _____

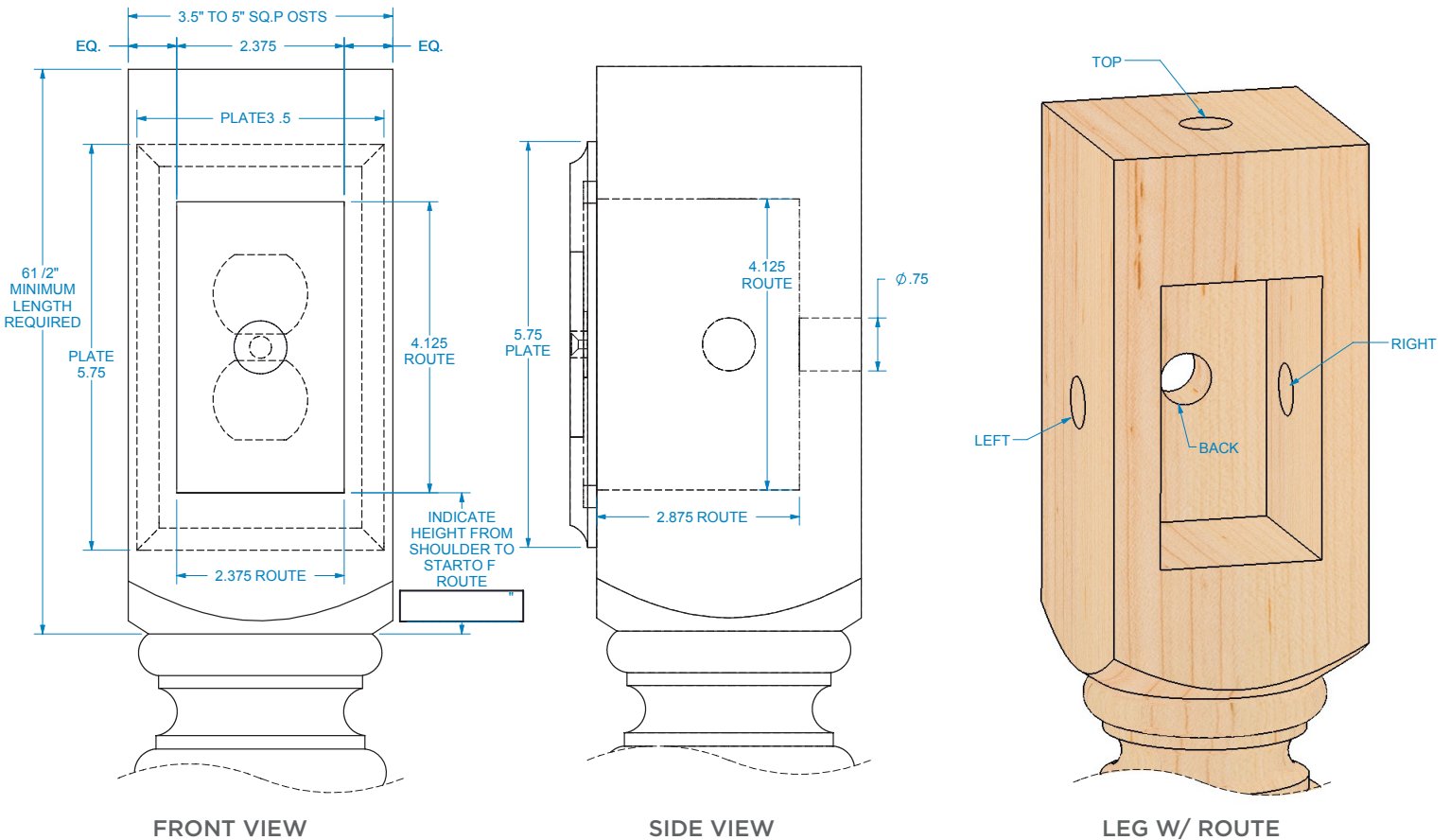


ELECTRICAL ROUTE FORM

Electrical box route offered on select columns only. Minimum sq. length 6 1/2" minimum sq. width size 3 1/2" Brownwood plate covers measure 3 1/2" x 5 3/4". If routing on 3 1/2" columns please be aware that the cover may extend beyond column width due to +/- tolerances of both column and plate cover. 1/2" diameter hole drilled from center of route through back for wiring. No Returns on routed columns.

Date: _____	Company Name: _____
Wood Species: _____	Contact Phone #: _____
Part Number of Column Ordered: _____	Contact Email: _____
_____	Company Address: _____

PLEASE SPECIFY HOLE LOCATION FOR WIRING LEFT | BACK | TOP | RIGHT | NONE



CUSTOM DOUBLE SHAKER LEG

Customize our stock 3", 4", 5" or 6" square columns.
Priced per side. Set-up charges may apply for all custom cuts.

Date: _____

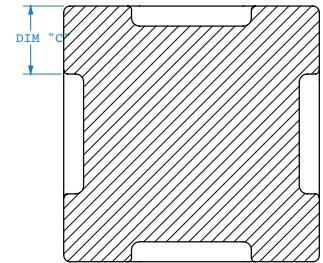
Company Name: _____

Company Address: _____

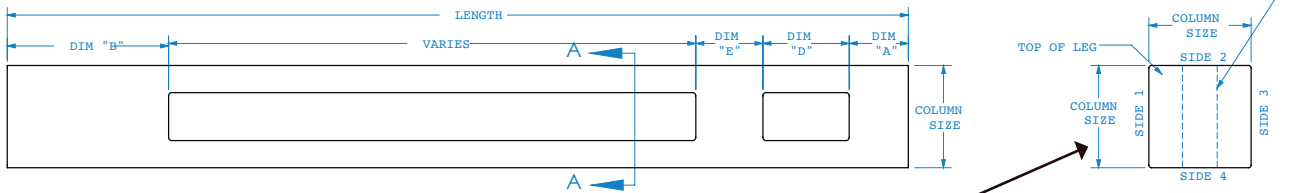
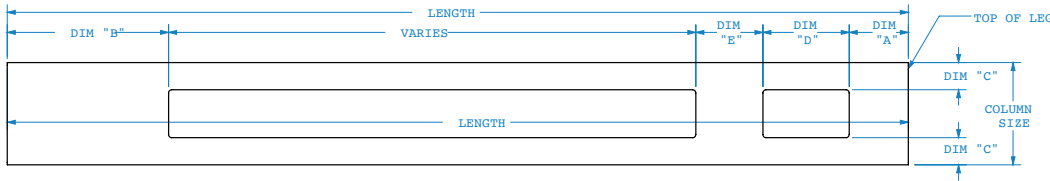
Contact Name: _____

Contact Phone #: _____

Contact Email: _____



SECTION A-A
SCALE 1 : 2



2) Column Size:

- 3"
- 4"
- 5"
- 6"
- Other: _____

3) Length:

- 35.25"
- 42.25"
- Other: _____

4) Detail on Corners:

Use the diagram in order to choose which corners you would like the detail on.

- Corner 1
- Corner 2
- Corner 3
- Corner 4

5) DIM "A":

- 2"
- 3"
- 4"
- 5"
- Other: _____

6) DIM "B":

- 3"
- 4"
- 5"
- 6"
- Other: _____

7) DIM "C":

Width of Chamfer

- .25"
- .375"
- .5"
- Other: _____

8) DIM "D":

- 3"
- 4"
- 5"
- 6"
- Other: _____

9) DIM "E":

- 3"
- 4"
- 5"
- 6"
- Other: _____

10) Species:

- Red Oak
- Alder
- Cherry
- Hard Maple
- Hickory
- Qtr Sawn Red Oak
- White Oak
- Walnut
- Other: _____



CUSTOM SINGLE SHAKER LEG

Customize our stock 3", 4", 5" or 6" square columns.
 Priced per side. Set-up charges may apply for all custom cuts.

Date: _____

Company Name: _____

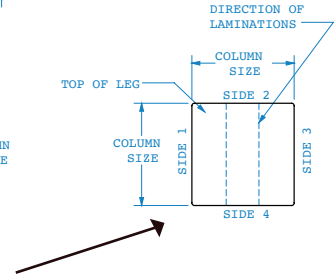
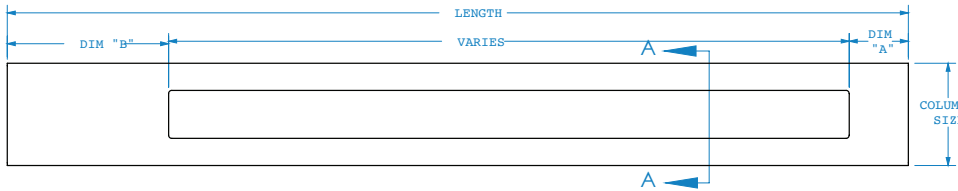
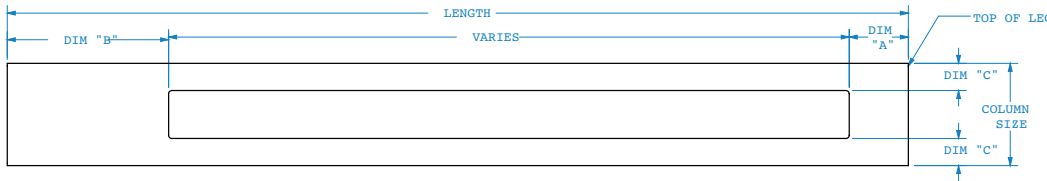
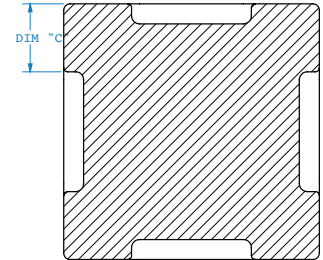
Company Address: _____

Contact Name: _____

Contact Phone #: _____

Contact Email: _____

PO#: _____



2) Column Size:

- 3"
- 4"
- 5"
- 6"
- Other: _____

3) Length:

- 35.25"
- 42.25"
- Other: _____

4) Detail on Corners:

- Use the diagram in order to choose which corners you would like the detail on.
- Side 1
 - Side 2
 - Side 3
 - Side 4

5) DIM "A":

- 2"
- 3"
- 4"
- 5"
- Other: _____

6) DIM "B":

- 3"
- 4"
- 5"
- 6"
- Other: _____

7) DIM "C":

- .25"
- .75"
- 1"
- Other: _____

8) Species:

- Red Oak
- Alder
- Cherry
- Hard Maple
- Hickory
- Qtr Sawn Red Oak
- White Oak
- Walnut
- Other: _____

