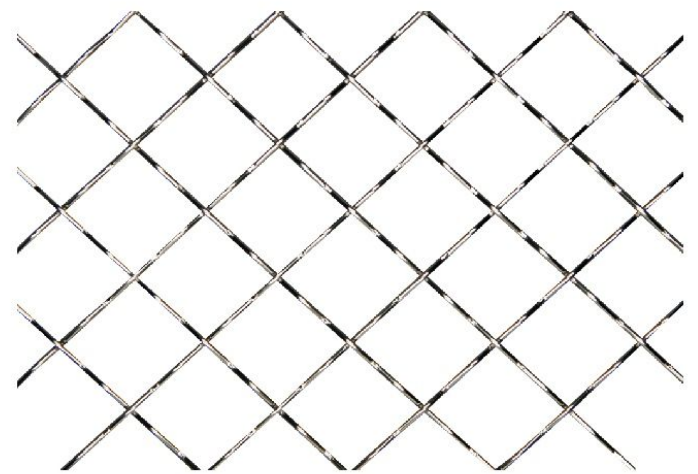
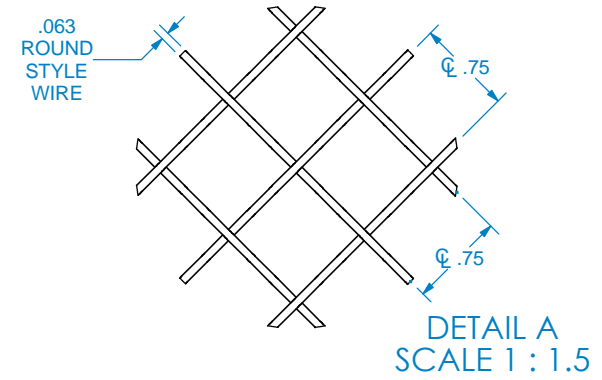
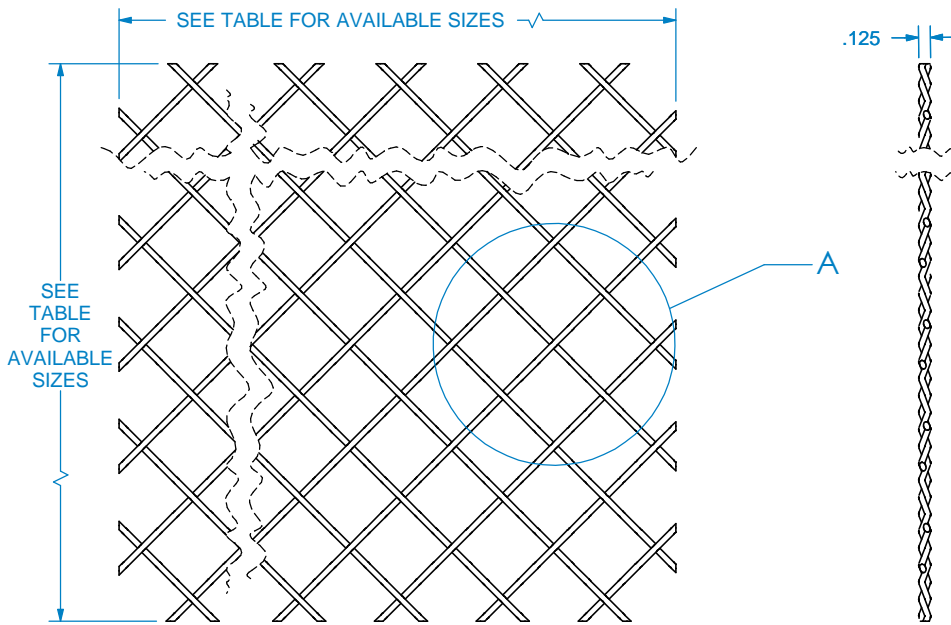
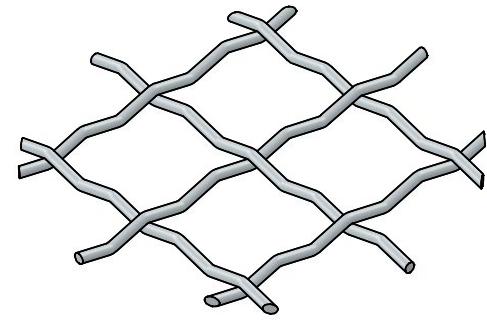


NAME	PART NUMBER	SIZE
.75" PRESSED SINGLE DIAMOND MESH	012472315C-1	24 X 72
.75" PRESSED SINGLE DIAMOND MESH	012436315C-1	24 X 36
.75" PRESSED SINGLE DIAMOND MESH SQ FT	01315C-1	12 X 12
.75" PRESSED SINGLE DIAMOND MESH SAMPLE	01SMPL315C-1	4 X 4



REVISION HISTORY			TOLERANCES	
REV	REV DATE	DESCRIPTION	WIDTH	± .03125"
			THICKNESS	± .03125"
			LENGTH	± .0625"
			ANGULAR	± x.x°
			PROFILE	± x.xxx"
			Use General Tolerances Unless Noted	

MATERIALS AND FINISHES
PLEASE VISIT OUR WEBSITE FOR A COMPLETE LIST. www.brownwoodinc.com 1-800-328-5858
NOTES: Do not scale. Use dimensions only. All dimensions are in inches unless noted

TITLE: .75" PRESSED SINGLE DIAMOND MESH	
NOMINAL SIZE SEE TABLE	
DWG #: 01-315C-1	REV:
DATE: 4/24/2023	SCALE: 1:2