




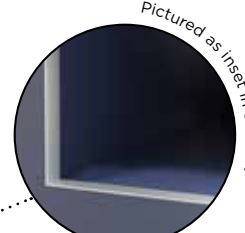
Your Guide to Metallic Cabinet Accent Trim with Designs of Distinction®

Add a touch of metallic to all your designs with our new line of Cabinet Accent Trim. Featuring a slim profile, accent strips in multiple sizes. Available in 5 satin anodized finishes. Easy to install with VHB tape or construction glue. Stock colors include: Satin Brass, Flat Black, Brushed Aluminum, Chrome and Warm Bronze.

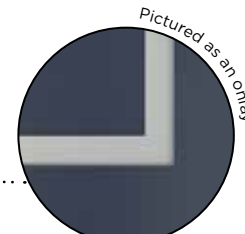
Finish Code:	CR	SB	WR	WB	BA
Finish Name:	Chrome	Satin Brass	Flat Black	Warm Bronze	Brushed Aluminum




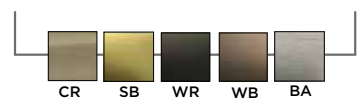
Pictured as inset in cabinet



Pictured as an onlay




.75" Aluminum Strapping

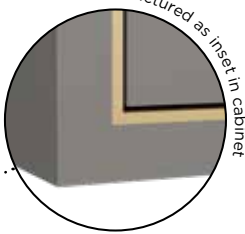



SKU: 01STRAP7572-1
.75"W X .063"T X 72"L

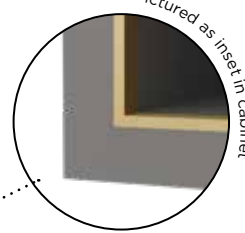
- Anodized aluminum makes for bright & beautiful metal accents.
- Double-sided VHB tape is available to securely adhere strapping.
- Use as an onlay or inset into a cabinet frame.





Pictured as inset in cabinet



Pictured as inset in cabinet



.25" x .75" Aluminum Bar

SKU: 01110788-1
.75"W X .25"T X 72"L

- Anodized aluminum makes for bright & beautiful metal accents.
- Double-sided VHB tape is available to securely adhere strapping.
- Use as an onlay or inset into a cabinet frame.

In order to complete the part number, replace the dash with a finish code.



DIRECT
SUPPLY INC
SURFACE MATERIALS \ CABINETRY \ HARDWARE

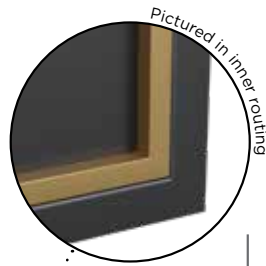
Directsupplyinc.com • 616-245-4415
Sales@directsupplyinc.com

Designs of distinction®
Kitchen, Bath & Home
by BWI

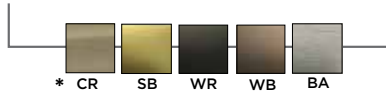
.25" x .25" Aluminum Bar



Pictured as an onlay



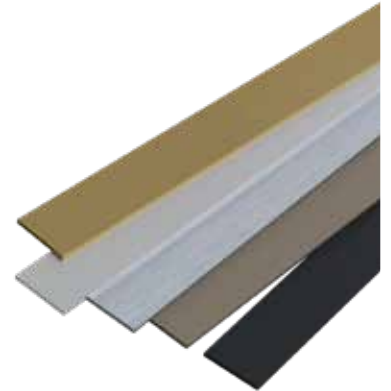
Pictured in inner routing



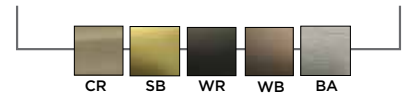
SKU: 01110810-1
.25" SQ X 72"L

- Anodized aluminum makes for bright & beautiful metal accents.
- Double-sided VHB tape is available to securely adhere strapping.
- Use as an onlay, apply to face of a cabinet or furniture piece.

.096" x 1.25" Aluminum Strapping



SKU: 01110171-1
1.25" W x .096" T x 72"L

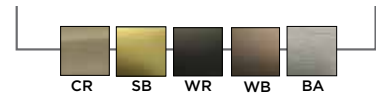


.5" Aluminum Angle



Pictured as corner mouting

Pictured in inner routing

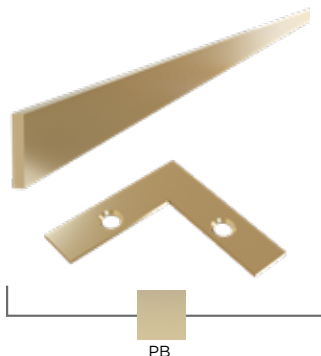
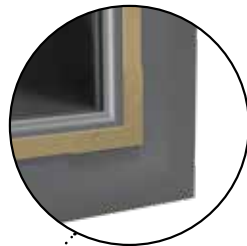


SKU: 01110030-1
.5" Each Way X .063" T X 72"L

- Anodized aluminum makes for bright & beautiful metal accents.
- Double-sided VHB tape is available to securely adhere strapping.
- Use as an onlay, apply to face of a cabinet or furniture piece.

*Chrome Aluminum Angle can't be used in inner routing.

3/8" Brass Strapping with Corner Brackets



SKU: 01HC1007PB1
.375"W X 48"L

- Solid polished brass.

SKU: 01HC1006PB1
1.5"L X .375"W X .04"T

- L-shaped corner piece.
- Solid polished brass.
- Double-sided VHB tape is available to securely adhere strapping.

In order to complete the part number, replace the dash with a finish code.



DIRECT
SUPPLY INC
SURFACE MATERIALS \ CABINETRY \ HARDWARE

Directsupplyinc.com • 616-245-4415
Sales@directsupplyinc.com

Designs of distinction
by BWI
Kitchen, Bath & Home