

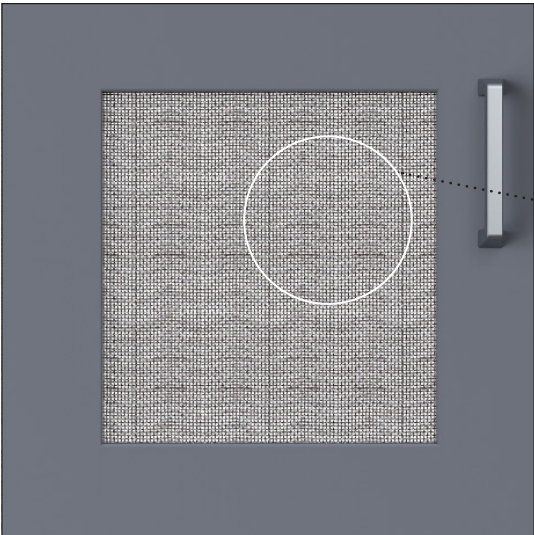


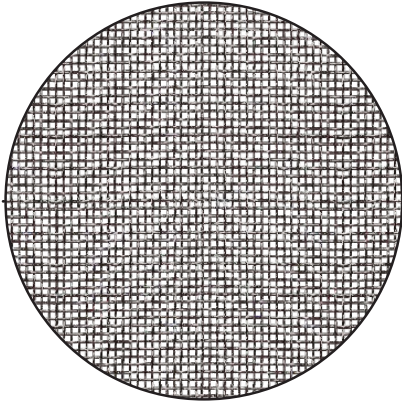
CUT-TO-SIZE PROGRAM

Your Guide to Stainless Steel Grille and Mesh with Designs of Distinction®

Italian Mesh adds modern texture & color to your designs. Italian Mesh, a finely woven metal textile, is easy to install on cabinet doors & panels, wall accents, furniture, and more. It is available as 59" x 36" sheets (shipped as rolls). We offer cut-to-size panels based on your project's specifications for easy on-site installation.

	
Finish Code: SB	Finish Code: SS
Finish Name: Satin Brass	Finish Name: Stainless Steel







Chevron Mesh

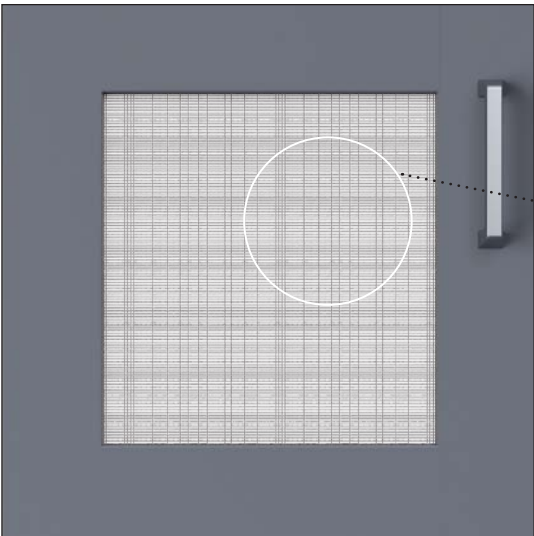
Style #: 107

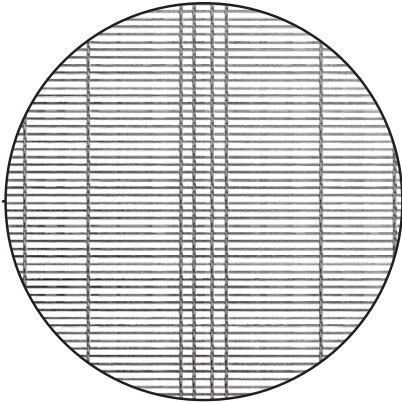
SKU: 015936107-1
59" x 36"


SB


SS

Available as sheets or cut-to-size in ready to install panels






Bar Code Mesh

Style #: 116

SKU: 015936116SS1
59" x 36"


SS

Available as sheets or cut-to-size in ready to install panels

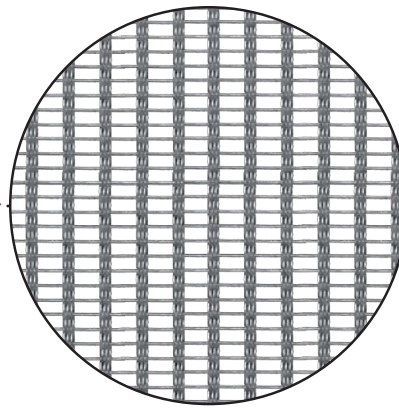
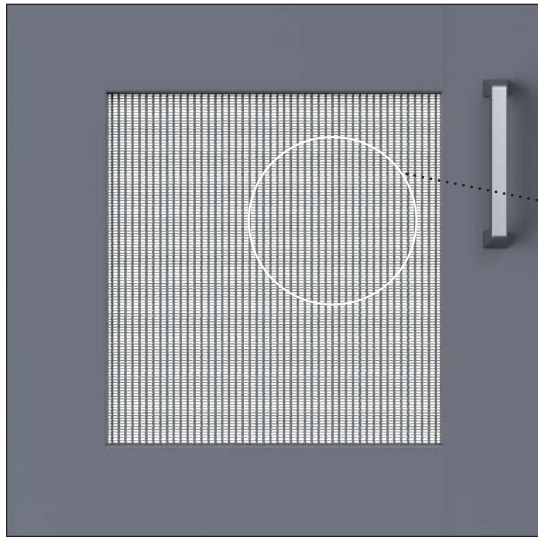
In order to complete the part number, replace the dash with a finish code.



DIRECT
SUPPLY INC
SURFACE MATERIALS \ CABINETS \ HARDWARE

Directsupplyinc.com • 616-245-4415
Sales@directsupplyinc.com

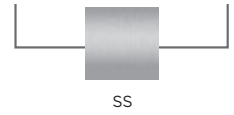
Designs of distinction®
by BWI
Kitchen, Bath & Home



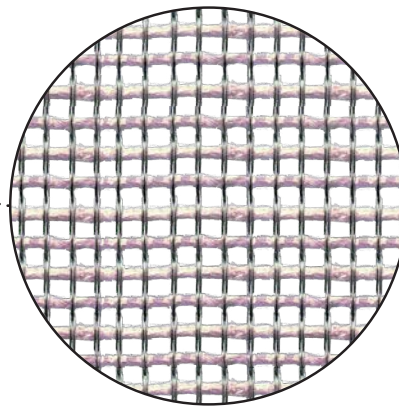
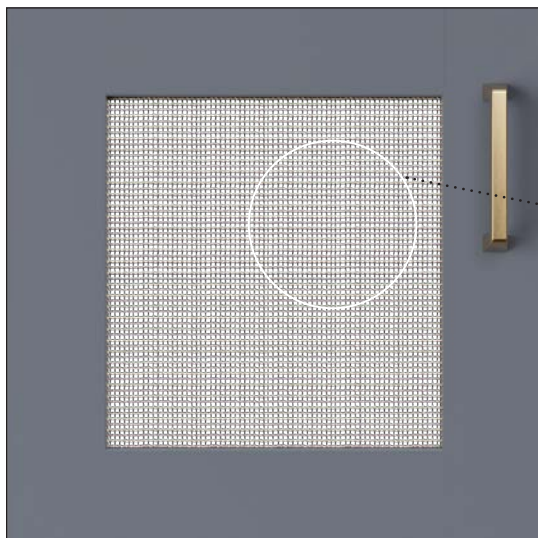
Pinstripe Mesh

Style #: 104

SKU: 015936104SS1
59" x 36"



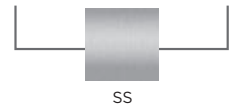
Available as sheets or cut-to-size in ready to install panels



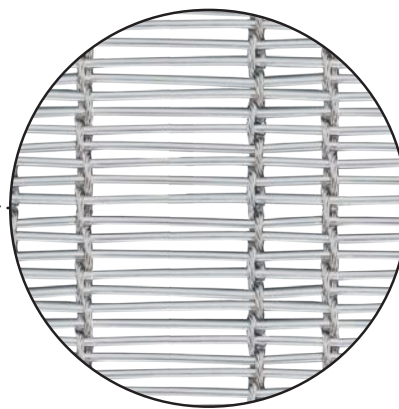
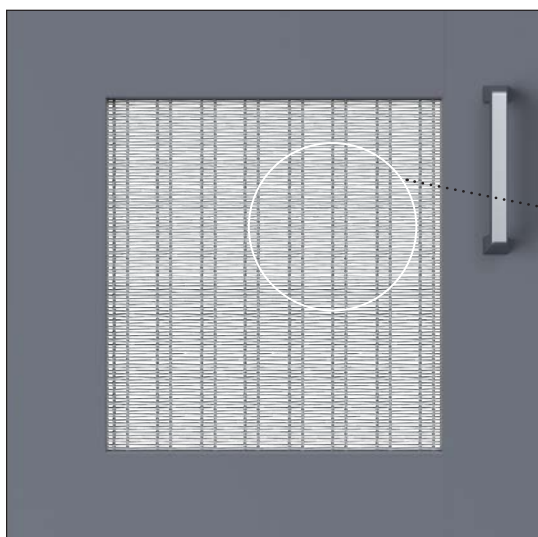
Jute Mesh

Style #: 112

SKU: 015936112SS1
59" x 36"



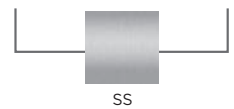
Available as sheets or cut-to-size in ready to install panels



Bengal Grille

Style #: 118

SKU: 015936118SS1
59" x 36"



Available as sheets or cut-to-size in ready to install panels



DIRECT
SUPPLY INC
SURFACE MATERIALS \ CABINETRY \ HARDWARE

Directsupplyinc.com • 616-245-4415
Sales@directsupplyinc.com

Designs of distinction[®]
Kitchen, Bath & Home
by BWI