

CUSTOM CHAMFER LEG

Customize our stock 3", 4", 5" or 6" square columns.
 Priced per corner. Set-up charges may apply for all custom cuts.

Date: _____

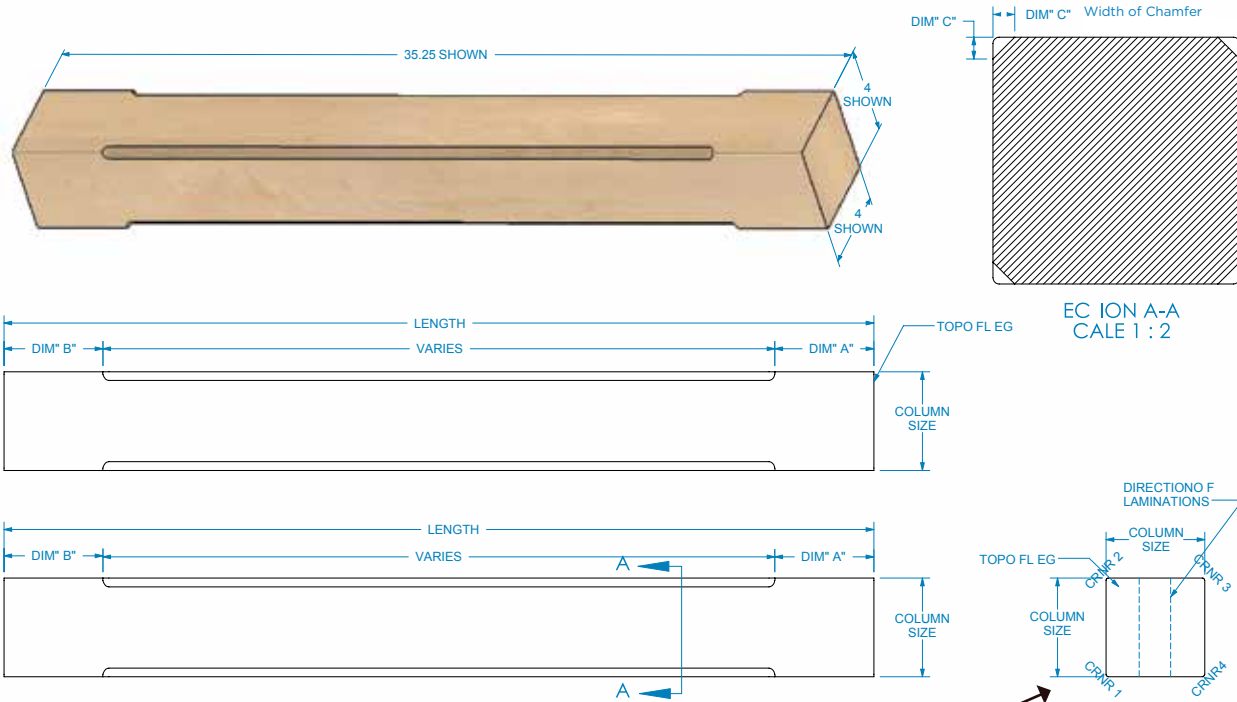
Company Name: _____

Company Address: _____

Contact Name: _____

Contact Phone #: _____

Contact Email: _____



2) Column Size:

- 3"
- 4"
- 5"
- 6"
- Other: _____

3) Length:

- 35.25"
- 42.25"
- Other: _____

4) Detail on Corners:

- Use the diagram in order to choose which corners you would like the detail on.
- Corner 1
 - Corner 2
 - Corner 3
 - Corner 4

5) DIM "A":

- 2"
- 3"
- 4"
- 5"
- Other: _____

6) DIM "B":

- 3"
- 4"
- 5"
- 6"
- Other: _____

7) DIM "C":

- Width of Chamfer
- .25"
 - .375"
 - .5"
 - Other: _____

8) Species:

- | | | | |
|----------------------------------|---|------------------------------------|-------------------------------------|
| <input type="checkbox"/> Red Oak | <input type="checkbox"/> Alder | <input type="checkbox"/> Cherry | <input type="checkbox"/> Hard Maple |
| <input type="checkbox"/> Hickory | <input type="checkbox"/> Qtr Sawn Red Oak | <input type="checkbox"/> White Oak | <input type="checkbox"/> Walnut |
- Other: _____

Available through:



Direct Supply Inc.
 1055 36th Street SE, Grand Rapids, MI 49508
 616-245-4415 • sales@directsupplyinc.com
www.directsupplyinc.com

Follow us and share your photos!
 @directsupplyinc

