

# FR 5707

<b>SLIDE TYPE:</b>	Regular-Extension Ball Bearing Drawer Slide with Disconnect Drawer Rail
<b>MOUNTING:</b>	Side Mount

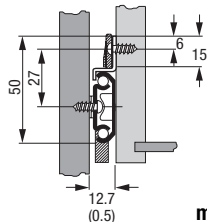
<b>WIDTH:</b>	12.7 mm (0.5 in.)
<b>LOAD CAPACITY:</b>	dynamic up to 34 kg (75 lbs.)



<b>MATERIAL:</b>	cold rolled steel
------------------	-------------------

<b>FEATURES:</b>	steel ball bearings, disconnect drawer rail
------------------	---

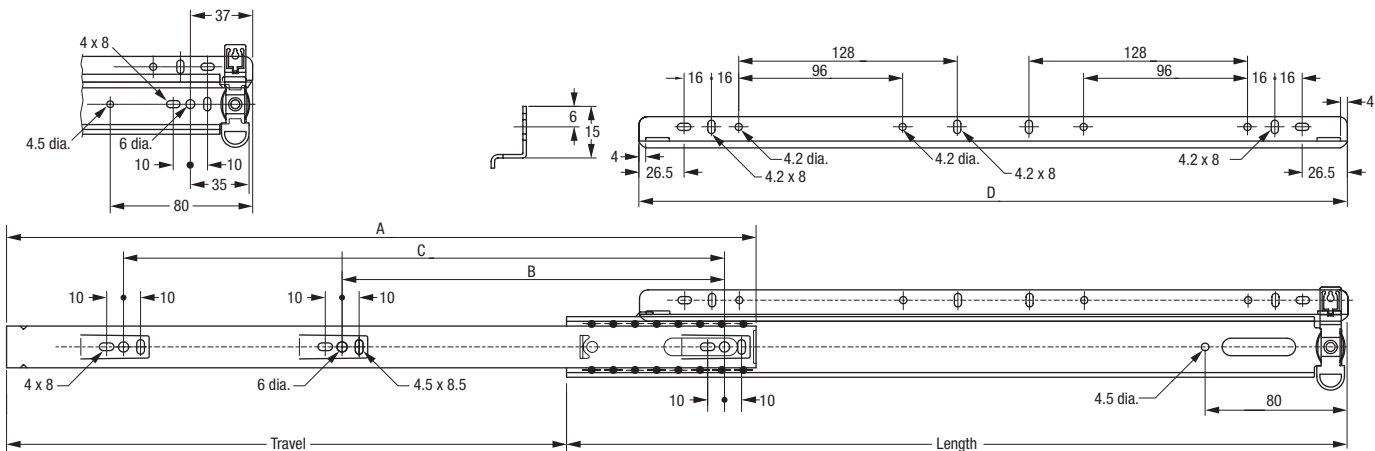
<b>SPECIFICATIONS:</b>	<ul style="list-style-type: none"> <li>▶ Most suitable drawer slide for desk box drawers and medium-duty commercial applications</li> <li>▶ Easy lift-off drawer rail disconnect</li> <li>▶ Hold-close detent to prevent drawer from rolling or bouncing back</li> <li>▶ Tolerance absorbing mounting tabs</li> </ul>
------------------------	---



mm (in.)

12.7 mm (0.5 in.) is the actual size of the slide.  
Allow a min. of 13.1 mm (0.52 in.) for clearance.

<b>NOTE:</b>	▶ Note the compatible full-extension sister model FR 5755
--------------	---



Length	Travel	Cabinet Profile:			Disconnect Rail:	Weight	Order No.	
		A	B	C			zinc	black chromate
mm in	mm in	mm in	mm in	mm in	kg lbs			
301 11.85	199 7.83	286 11.25	224 8.81	265 10.43	*	*	*	
351 13.81	250 9.84	336 13.22	224 8.81	315 12.40	*	*	*	
403 15.86	300 11.81	388 15.27	224 8.81	320 12.59	*	600053	*	
454 17.87	328 12.91	439 17.28	224 8.81	352 13.85	*	600054	*	
505 19.88	379 14.92	490 19.29	224 8.81	416 16.37	*	600055	6000555	
555 21.85	403 15.86	540 21.25	224 8.81	416 16.37	*	600056	*	
605 23.81	426 16.77	590 23.22	224 8.81	480 18.89	*	*	*	
657 25.86	480 18.89	642 25.27	224 8.81	544 21.41	*	*	*	
710 27.95	534 21.02	695 27.36	224 8.81	576 22.67	*	*	*	

Packing Unit: 10 pair per box

\*on request

