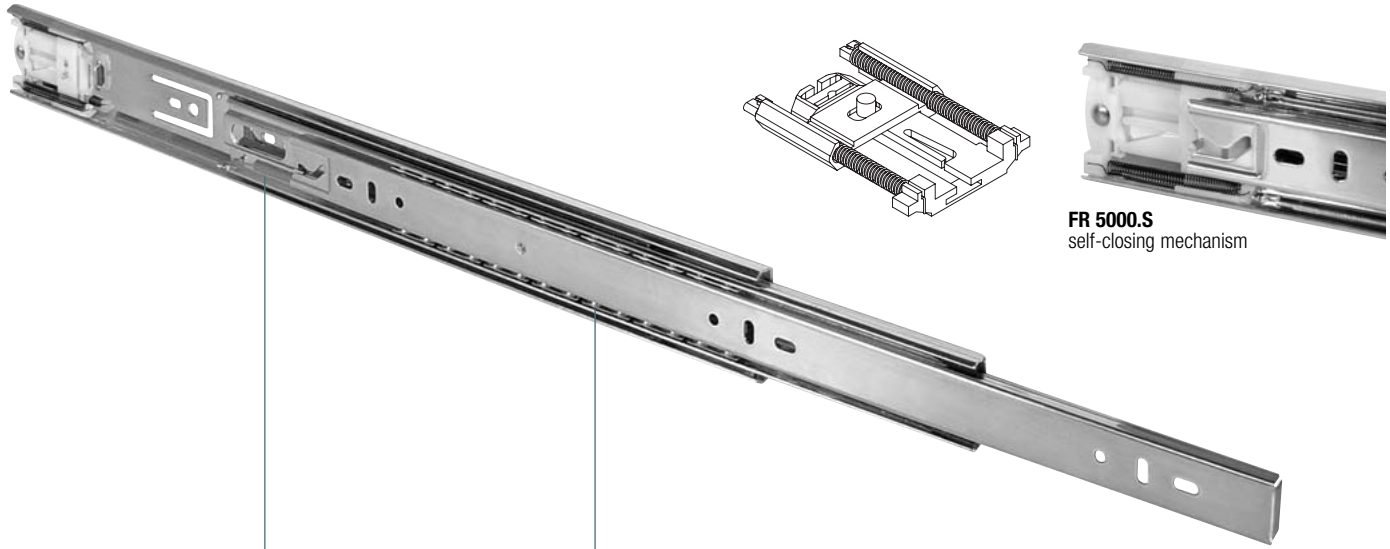


FR 5000.S

SLIDE TYPE:	Full-Extension Ball Bearing Drawer Slide - Self-Closing Version
MOUNTING:	Side Mount

WIDTH:	12.7 mm (0.5 in.)
LOAD CAPACITY:	dynamic up to 45 kg (100 lbs.)

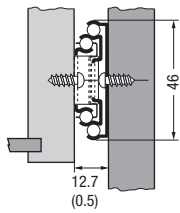


FR 5000.S
self-closing mechanism

MATERIALS:	cold rolled steel
-------------------	-------------------

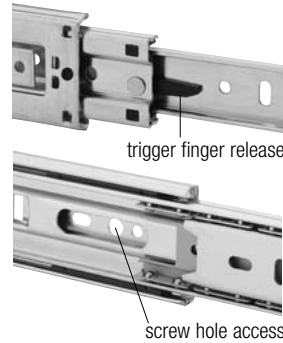
FEATURES:	steel ball bearings
------------------	---------------------

SPECIFICATIONS:
<ul style="list-style-type: none"> ▶ precision ball bearing drawerslide for medium-duty applications in office and residential furniture with a self-closing mechanism ▶ drawer profile features an easy to operate disconnect finger release trigger ▶ system 32 compatible hole locations ▶ drawer slide is non-handed, and has a hold-close detent

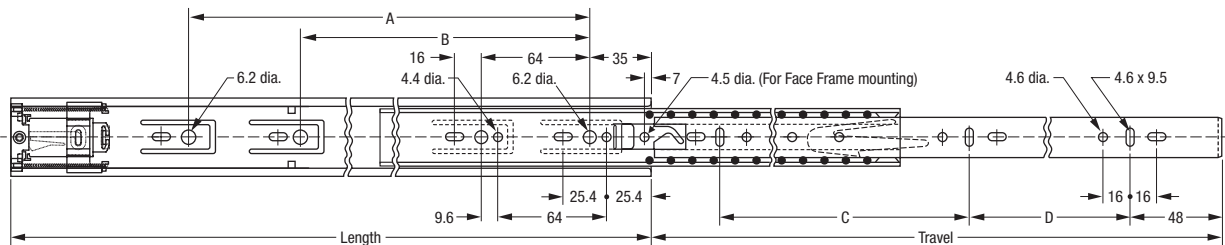


mm (in.)

12.7 mm (0.5 in.) is the actual size of the slide.
Allow a min. of 13.1 mm (0.52 in.) for clearance.



NOTE:
<ul style="list-style-type: none"> ▶ The compatible regular extension sister model FR 5005 ▶ See FR 5000 page for available rear mounting brackets and front mounting bracket for face frame.



Length	Travel	Cabinet Profile:		Drawer Profile:		Weight	Order No.	Order No.
		A	B	C	D			
mm	in	mm	in	mm	in	kg	black chromate	zinc
250	9.84		128	5.04		*	*	400120
300	11.81		160	6.30		*	*	400121
350	13.78		192	7.56	128	5.04	*	400122
400	15.75		256	10.08	160	6.30	*	400123
450	17.72	288	224	8.82	192	7.56	*	400124
500	19.69	352	224	8.82	192	7.56	*	400125
550	21.65	416	224	8.82	256	10.07	*	400126
600	23.62	448	224	8.82	256	10.07	*	400127
650	25.59	512	224	8.82	288	11.33	*	400128
700	27.56	546	224	8.82	320	12.60	*	400129

Packing Unit: 10 pair per box

*on request