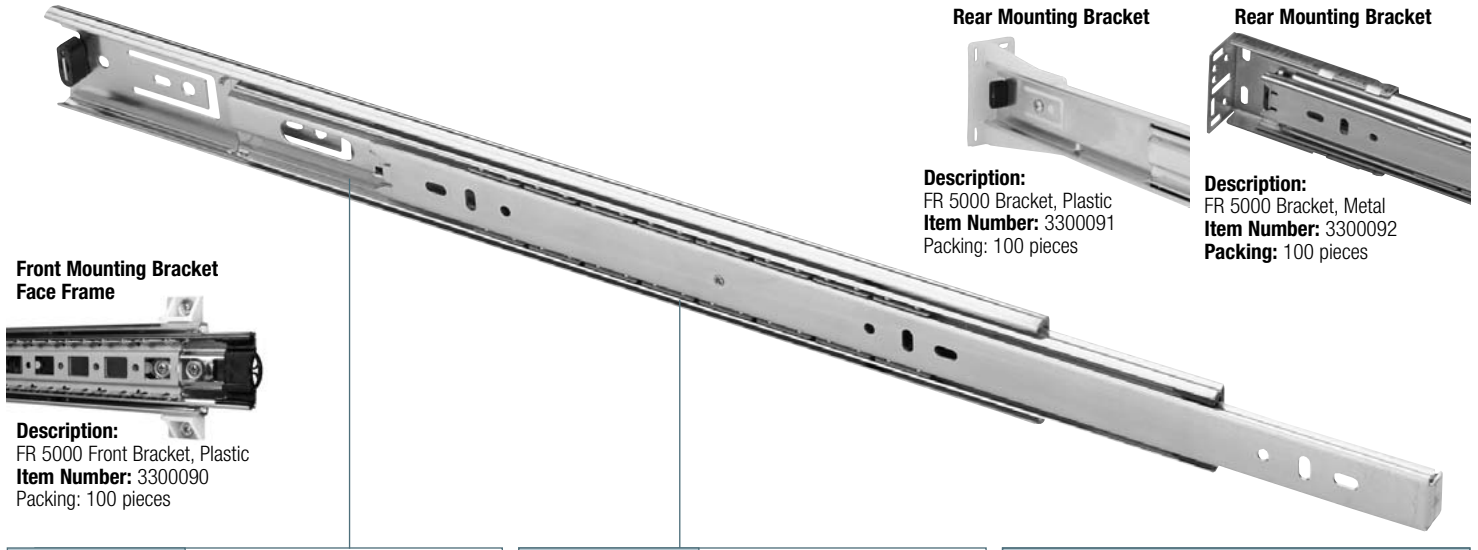


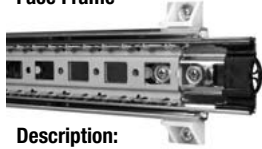
FR 5000

| | |
|--------------------|--|
| SLIDE TYPE: | Full-Extension Ball Bearing Drawer Slide - Standard Version |
| MOUNTING: | Side Mount |

| | |
|-----------------------|--------------------------------|
| WIDTH: | 12.7 mm (0.5 in.) |
| LOAD CAPACITY: | dynamic up to 45 kg (100 lbs.) |

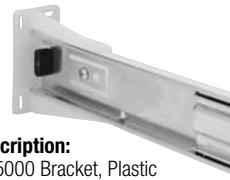


**Front Mounting Bracket
Face Frame**



Description:
FR 5000 Front Bracket, Plastic
Item Number: 3300090
Packing: 100 pieces

Rear Mounting Bracket



Description:
FR 5000 Bracket, Plastic
Item Number: 3300091
Packing: 100 pieces

Rear Mounting Bracket

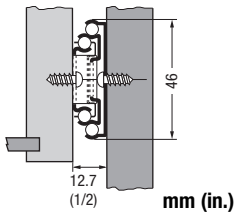


Description:
FR 5000 Bracket, Metal
Item Number: 3300092
Packing: 100 pieces

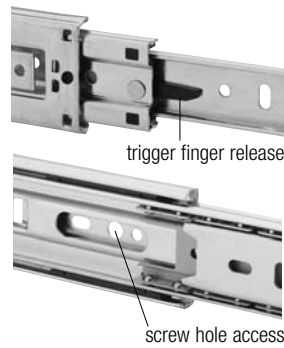
| | |
|-------------------|-------------------|
| MATERIALS: | cold rolled steel |
|-------------------|-------------------|

| | |
|------------------|---------------------|
| FEATURES: | steel ball bearings |
|------------------|---------------------|

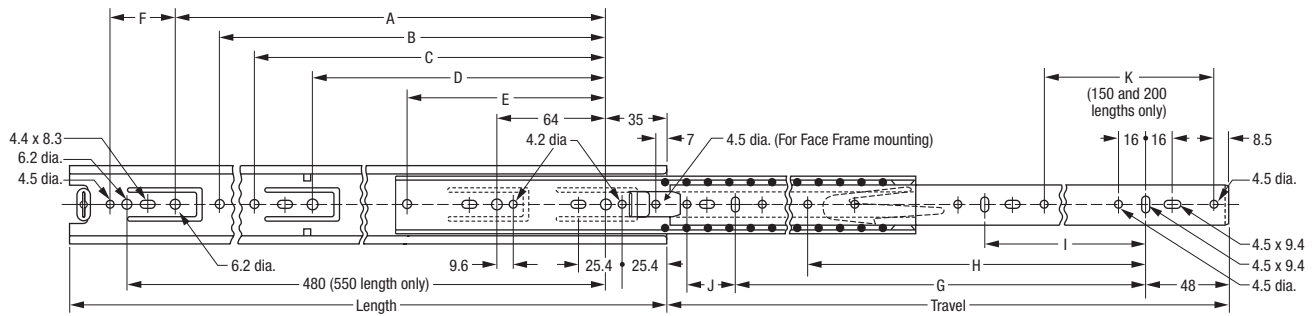
| | |
|------------------------|--|
| SPECIFICATIONS: | <ul style="list-style-type: none"> ▶ precision ball bearing drawer slide for medium-duty applications in office and residential furniture ▶ drawer profile features an easy to operate disconnect finger release trigger ▶ system 32 compatible hole locations ▶ drawer slide is non-handed, and has a hold-close detent |
|------------------------|--|



12.7 mm (0.5 in.) is the actual size of the slide.
Allow a min. of 13.1 mm (0.52 in.) for clearance.



| | |
|--------------|---|
| NOTE: | ▶ The compatible regular extension sister model FR 5005 |
|--------------|---|



| Length | Travel | Cabinet Profile: | | | | | | Drawer Profile: | | | | | Weight | Order No. white powder coat | Order No. zinc plated | Order No. black chromate | | | | | | | | | | | | | |
|--------|--------|------------------|-------|-----|-------|-----|-------|-----------------|-------|-----|------|-----|--------|-----------------------------|-----------------------|--------------------------|-------|--------|--------|--------|--------|--------|--------|--------|--------|--------|--|--|--|
| | | A | B | C | D | E | F | G | H | I | J | K | | | | | | | | | | | | | | | | | |
| mm | in | mm | in | mm | in | mm | in | mm | in | mm | in | mm | in | mm | in | mm | in | mm | in | mm | in | kg. | lbs. | | | | | | |
| 150 | 5.91 | 150 | 5.91 | | | | | 96 | 3.78 | | | | | 120 | 4.72 | * | * | 400014 | * | | | | | | | | | | |
| 200 | 7.87 | 200 | 7.87 | | | | | 145 | 5.71 | | | | | 160 | 6.30 | * | * | 400015 | * | | | | | | | | | | |
| 250 | 9.84 | 250 | 9.84 | | | 195 | 7.68 | 160 | 6.30 | | | | | 160 | 6.30 | * | * | 400019 | 400020 | 400099 | | | | | | | | | |
| 300 | 11.81 | 308 | 11.81 | | | 244 | 9.61 | 224 | 8.81 | 192 | 7.55 | 128 | 5.04 | 192 | 7.55 | | | 32 | 1.26 | * | 400018 | 400022 | 400100 | | | | | | |
| 350 | 13.78 | 350 | 13.78 | | | 296 | 11.65 | 282 | 11.1 | 224 | 8.81 | 128 | 5.04 | 256 | 10.07 | | | 96 | 3.78 | * | 400040 | 400023 | 400101 | | | | | | |
| 400 | 15.75 | 400 | 15.75 | 320 | 12.59 | 282 | 11.10 | | | 224 | 8.81 | 128 | 5.04 | 25 | 0.98 | 288 | 11.34 | | 128 | 5.04 | 32 | 1.26 | * | 400041 | 400024 | 400102 | | | |
| 450 | 17.72 | 450 | 17.72 | 352 | 13.85 | 282 | 11.10 | | | 224 | 8.81 | 128 | 5.04 | 43 | 1.69 | 352 | 13.86 | 271 | 10.67 | 160 | 6.30 | * | 400042 | 400021 | 400104 | | | | |
| 500 | 19.69 | 500 | 19.69 | 416 | 16.37 | 282 | 11.10 | | | 224 | 8.81 | 128 | 5.04 | 29 | 1.14 | 416 | 16.37 | 297 | 11.70 | 192 | 7.76 | * | 400043 | 400025 | 400105 | | | | |
| 550 | 21.65 | 550 | 21.65 | 448 | 17.64 | 352 | 13.85 | 282 | 11.10 | 224 | 8.81 | 128 | 5.04 | 47 | 1.85 | 448 | 17.64 | 323 | 12.72 | 224 | 8.81 | * | 400044 | 400026 | 400106 | | | | |
| 600 | 23.62 | 600 | 23.62 | 480 | 18.89 | 352 | 13.85 | 282 | 11.10 | 224 | 8.81 | | | 64 | 2.52 | 512 | 20.16 | | 224 | 8.81 | * | 400045 | 400027 | 400107 | | | | | |
| 650 | 25.59 | 650 | 25.59 | 544 | 21.41 | 352 | 13.85 | 282 | 11.10 | 224 | 8.81 | | | 51 | 2.01 | 544 | 21.41 | | 256 | 10.07 | * | * | 400033 | 400108 | | | | | |
| 700 | 27.56 | 700 | 27.56 | 576 | 22.67 | 352 | 13.85 | 282 | 11.10 | 224 | 8.81 | | | 69 | 2.72 | 608 | 23.94 | | 256 | 10.07 | * | * | 400034 | 400109 | | | | | |
| 750 | 29.53 | 750 | 29.53 | 640 | 25.12 | 352 | 13.85 | 282 | 11.10 | 224 | 8.81 | | | 55 | 2.17 | 640 | 25.20 | | 256 | 10.07 | * | * | * | * | | | | | |

Packing Unit: 10 pair per box

* on request